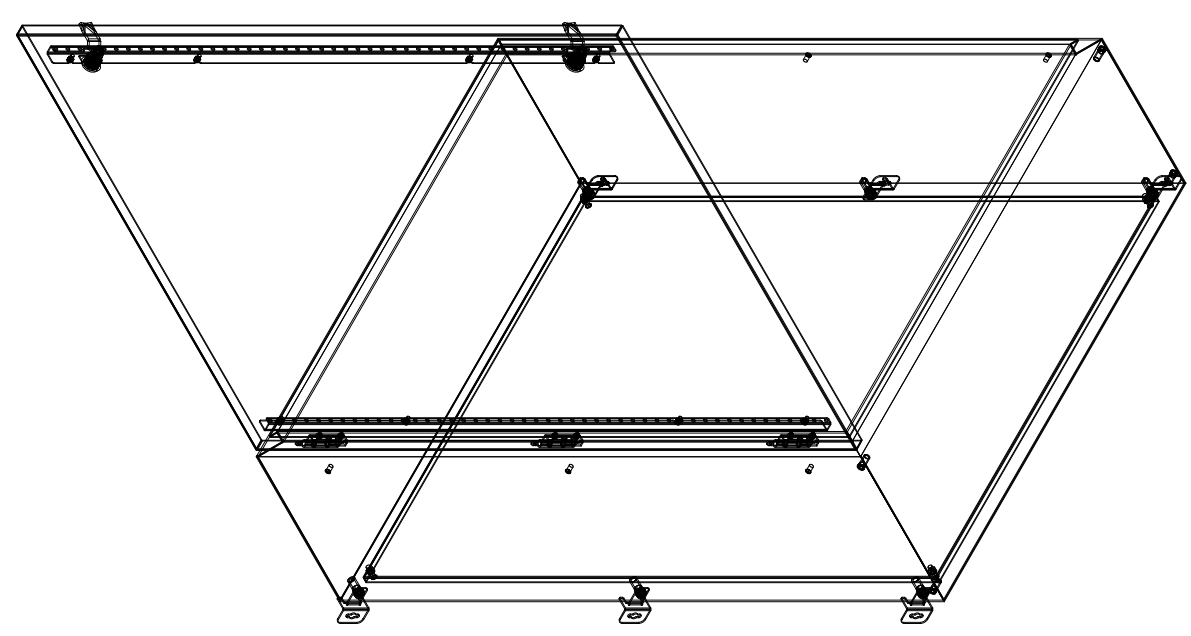
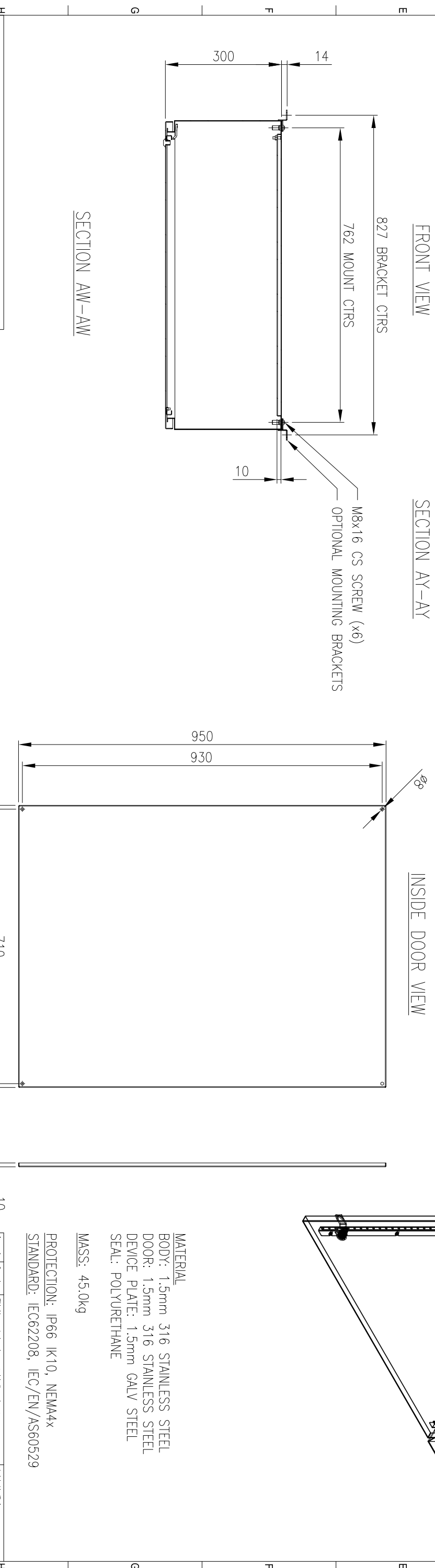
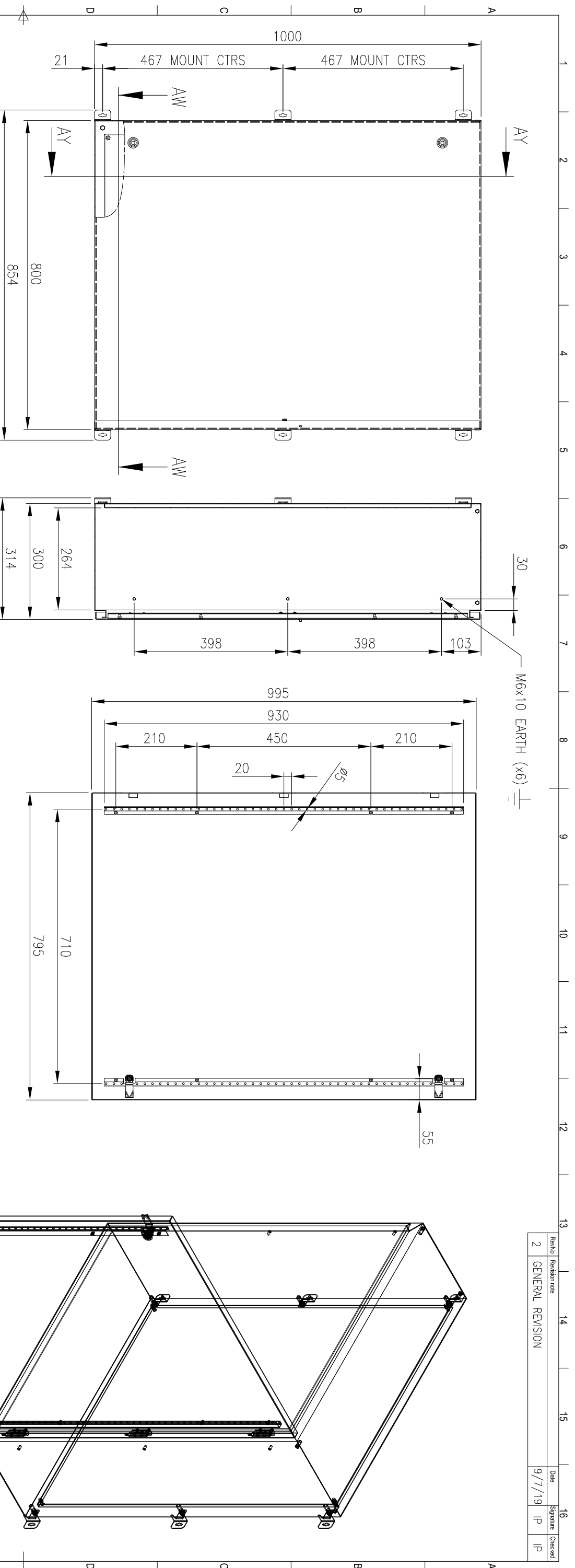


RevNo	Revision note	Date	Signature	Checked
2	GENERAL REVISION	9/7/19	IP	IP



**MATERIAL**  
 BODY: 1.5mm 316 STAINLESS STEEL  
 DOOR: 1.5mm 316 STAINLESS STEEL  
 DEVICE PLATE: 1.5mm GALV STEEL  
 SEAL: POLYURETHANE

MASS: 45.0kg

PROTECTION: IP66 IK10, NEMA4x  
 STANDARD: IEC62208, IEC/EN/AS60529

SECTION AW-AW

FRONT VIEW

SECTION AY-AY

INSIDE DOOR VIEW

DEVICE MOUNTING PLATE

827 BRACKET CTRS  
 762 MOUNT CTRS  
 M8x16 CS SCREW (x6)  
 OPTIONAL MOUNTING BRACKETS

M6x10 EARTH (x6)

© IP ENCLOSURES 2016.  
 THIS DRAWING SHALL NOT BE COPIED OR REPRODUCED  
 WITHOUT AUTHORISATION FROM IP ENCLOSURES.  
 www.ipenclosures.com.au

Item	Quantity	TradeName, designation, material, dimension etc.	Article No./Reference	Scale
IP Enclosures				1:10
IP		IP-SS1008030-01	1000x800x300 316SS ENCLOSURE	1/1
IP		IP-SS1008030-01	1000x800x300 316SS ENCLOSURE	1/1