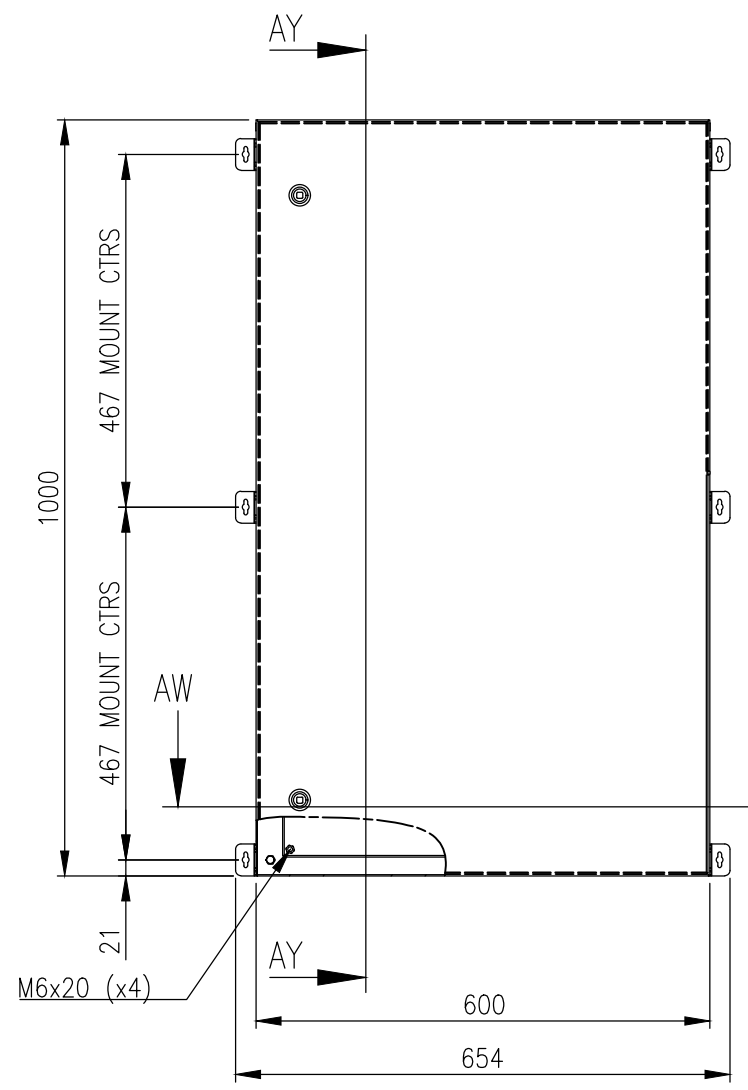
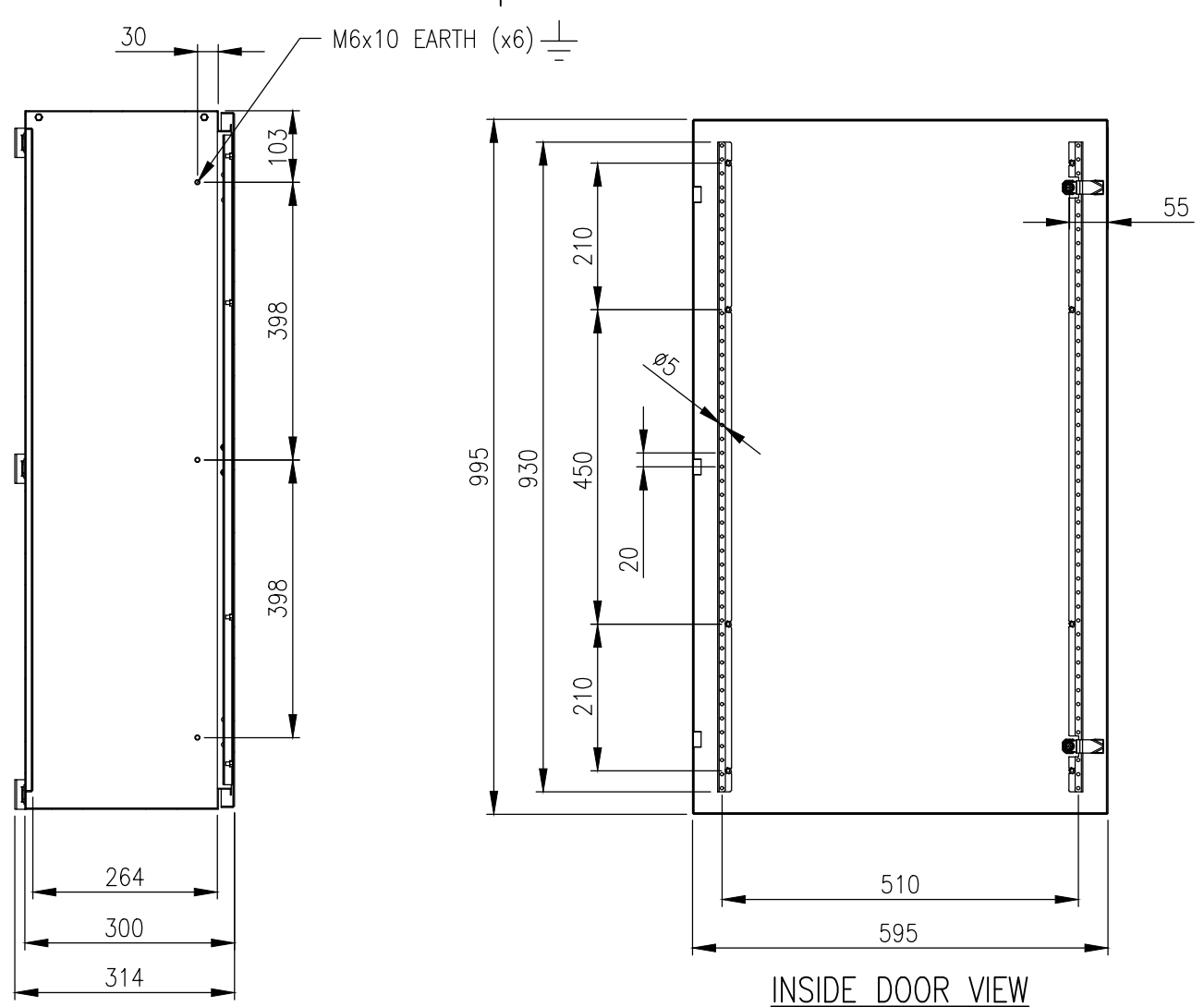


| RevNo | Revision note | Date | Signature | Checked |
|-------|------------------|----------|-----------|---------|
| 3 | GENERAL REVISION | 01/04/25 | IP | IP |

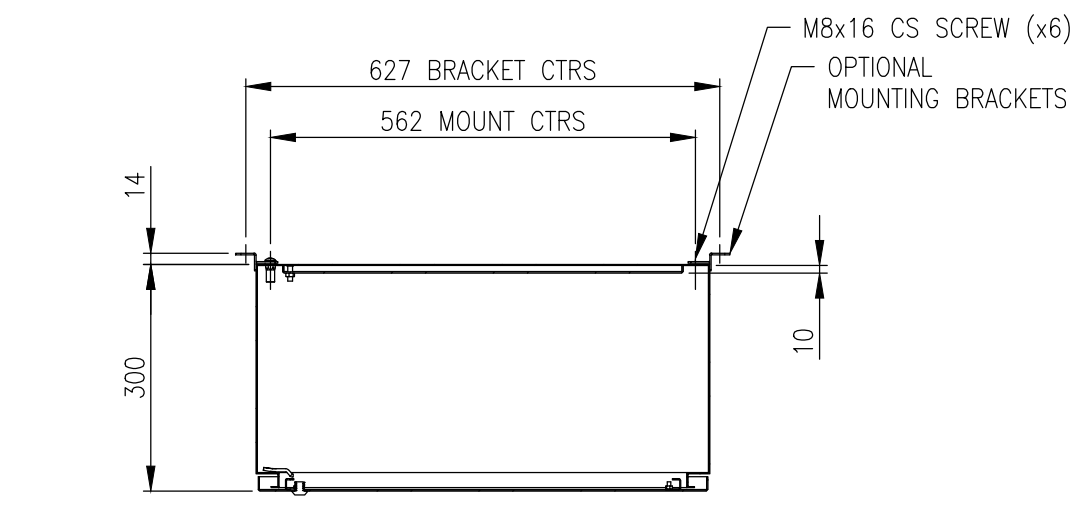
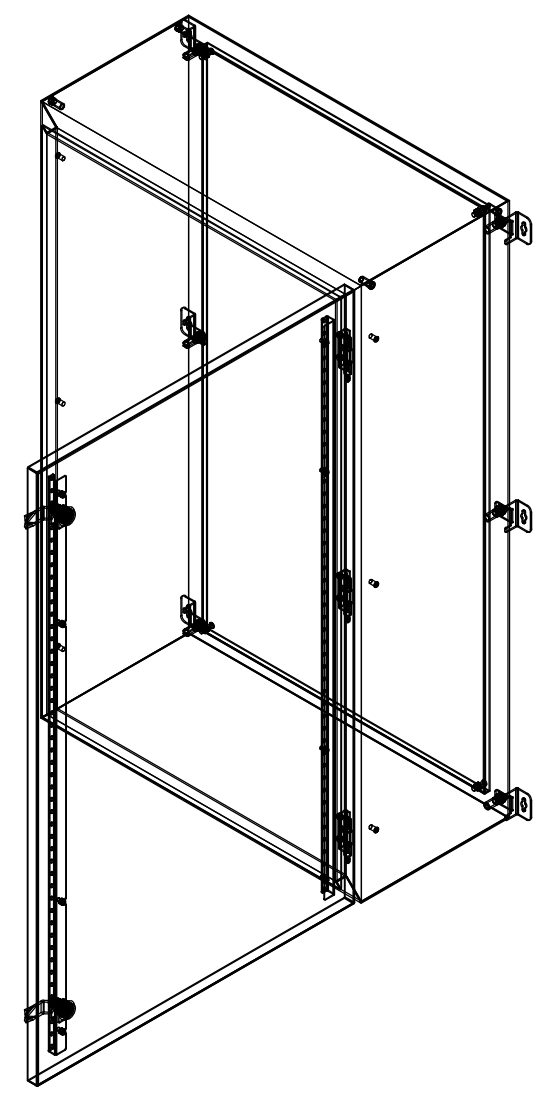


FRONT VIEW

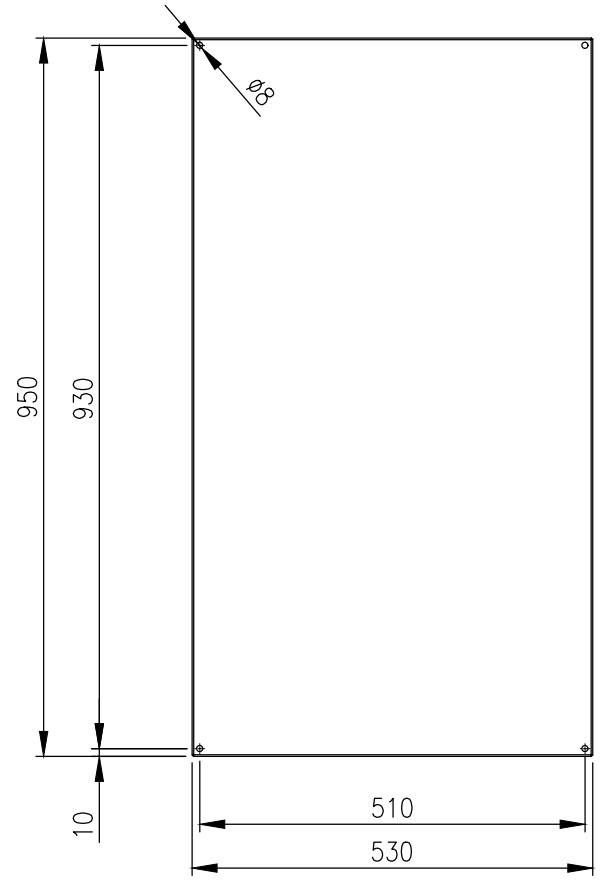


SECTION AY-AY

INSIDE DOOR VIEW



SECTION AW-AW



DEVICE MOUNTING PLATE

MATERIAL
 BODY: 1.5mm GRADE 316L STAINLESS STEEL
 DOOR: 1.5mm GRADE 316L STAINLESS STEEL
 DEVICE PLATE: 1.5mm GALVANISED STEEL SHEET
 SEAL: POLYURETHANE

MASS: 35.0Kg.

PROTECTION: IP66 IK10 (NEMA 4x)
STANDARD: IEC/EN62208, IEC/EN/AS60529

IMPORTANT NOTE:
 WALL MOUNTING BRACKETS ARE NOT INCLUDED AND MUST BE ORDERED SEPARATELY.

| Itemref | Quantity | Title/Name, designation, material, dimension etc | Article No./Reference |
|---------|----------|--|-----------------------|
| IP | 1 | 1000x600x300 316SS ENCLOSURE | IP-SS106030 |
| IP | 1 | 1000x600x300 316SS ENCLOSURE | IP-SS106030 |
| IP | 1 | 1000x600x300 316SS ENCLOSURE | IP-SS106030 |

© IP ENCLOSURES 2016.
 THIS DRAWING SHALL NOT BE COPIED OR REPRODUCED WITHOUT AUTHORISATION FROM IP ENCLOSURES.
 www.ipenclosures.com.au



1000x600x300 316SS ENCLOSURE
 IP-SS106030
 Edition 3
 Sheet 1/1