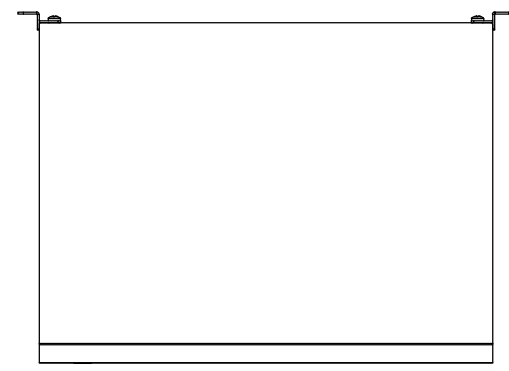
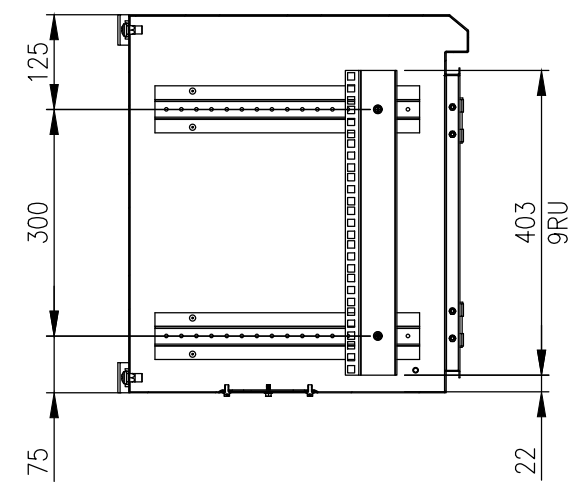
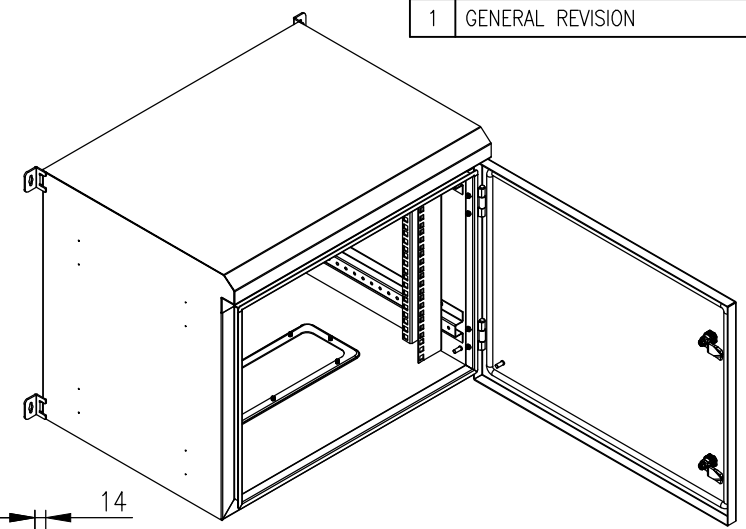


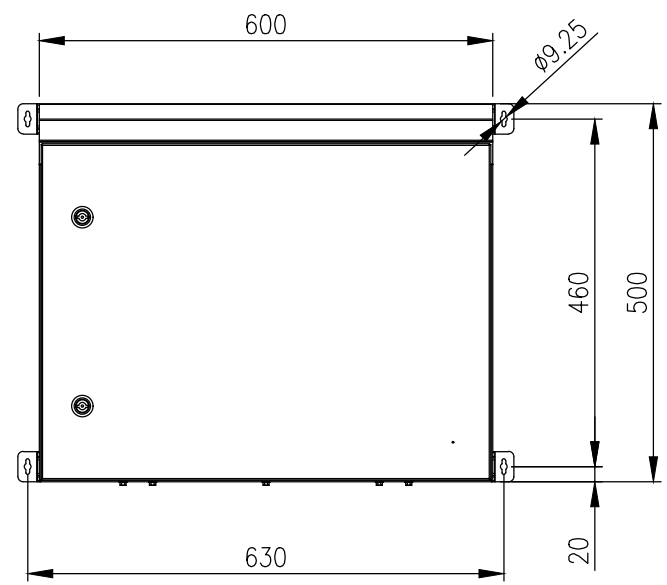
RevNo	Revision note	Date	Signature	Checked
1	GENERAL REVISION	26/09/25	IP	IP



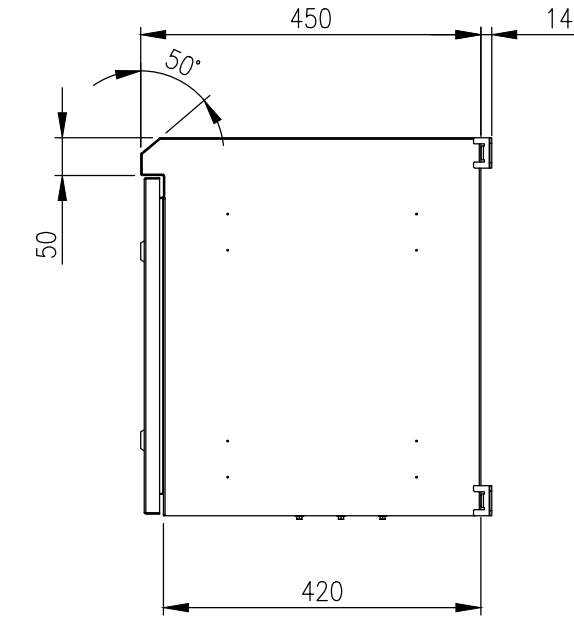
TOP VIEW



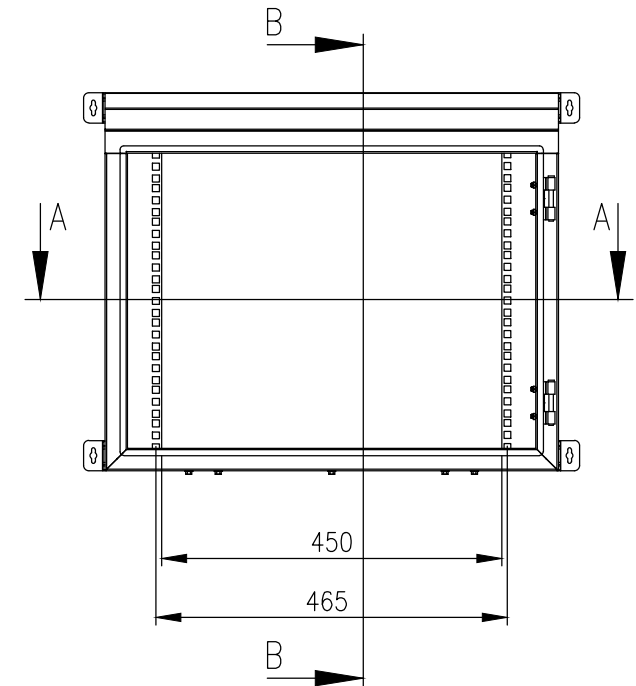
SECTION B-B



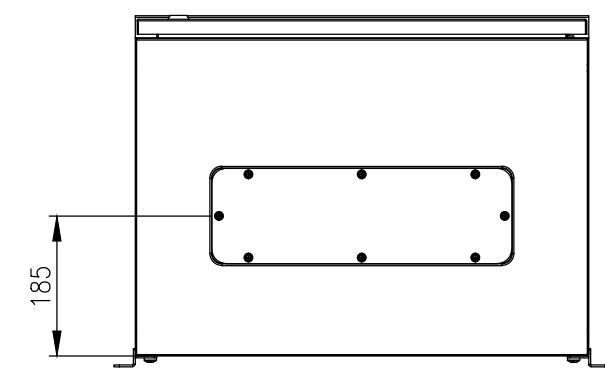
FRONT VIEW



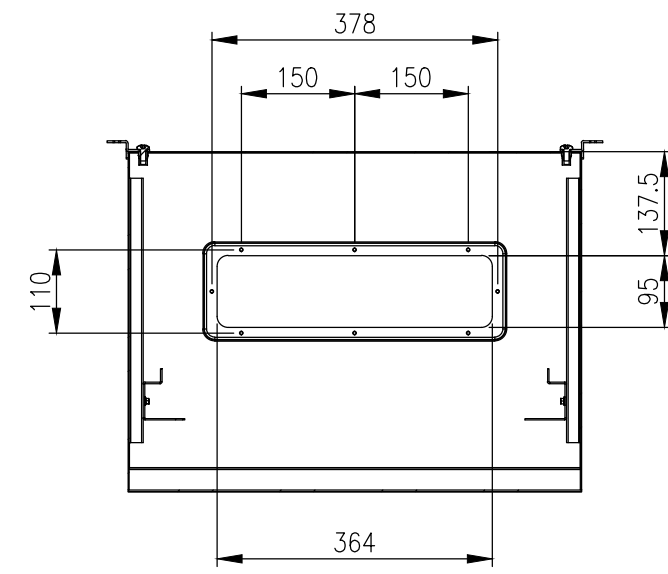
SIDE VIEW



FRONT VIEW-DOOR REMOVED



BOTTOM VIEW



SECTION A-A

**MATERIAL**  
 BODY: 1.5mm GALVANISED STEEL SHEET  
 DOOR: 1.5mm GALVANISED STEEL SHEET  
 19" RAILS: 1.5mm GALVANISED STEEL SHEET  
 SEAL: POLYURETHANE. UL LISTED.  
 SURFACE TREATMENT: POWDER-COAT 80-120micron  
 COLOUR: RAL7035 LIGHT GREY

MASS: 25.0Kg.

PROTECTION: IP66 IK10  
 STANDARD: IEC/EN 60529, IEC/EN 62208, EIA-310-D

© IP ENCLOSURES 2022.  
 THIS DRAWING SHALL NOT BE COPIED OR REPRODUCED  
 WITHOUT AUTHORISATION FROM IP ENCLOSURES.  
 www.ipenclosures.com.au

**IMPORTANT NOTE:**  
 WALL MOUNTING BRACKETS ARE NOT INCLUDED  
 AND MUST BE ORDERED SEPARATELY.

Itemref	Quantity	Title/Name, designation, material, dimension etc	Article No./Reference
IP	1	9RU 19" DATA RACK 450 DEEP	IP-SDW9RU45
IP	1	IP-SDW9RU45	IP-SDW9RU45

Designed by: IP  
 Checked by: IP  
 Approved by - date: 19/10/22  
 Date: 19/10/22  
 Scale: 1:10  
 Edition: 1  
 Sheet: 1/1

