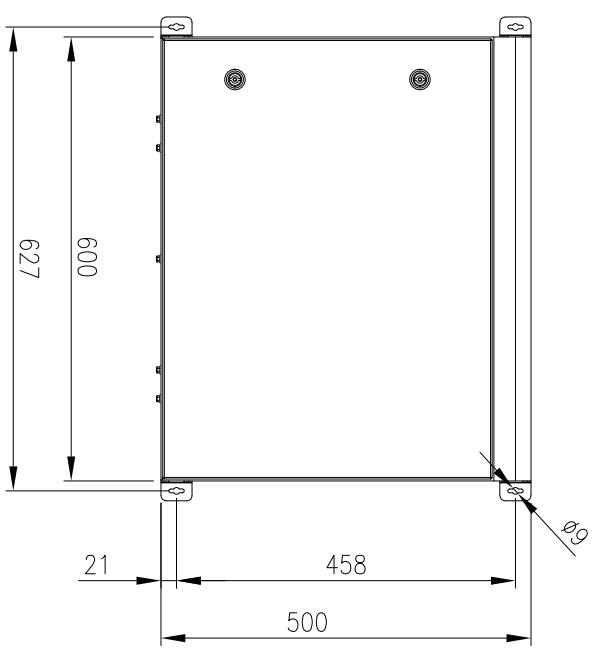
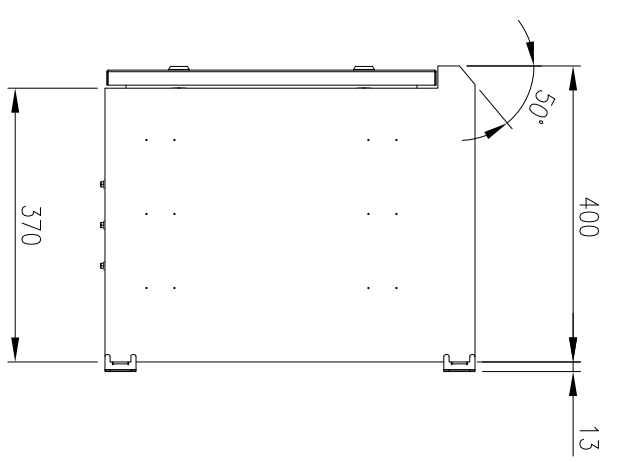


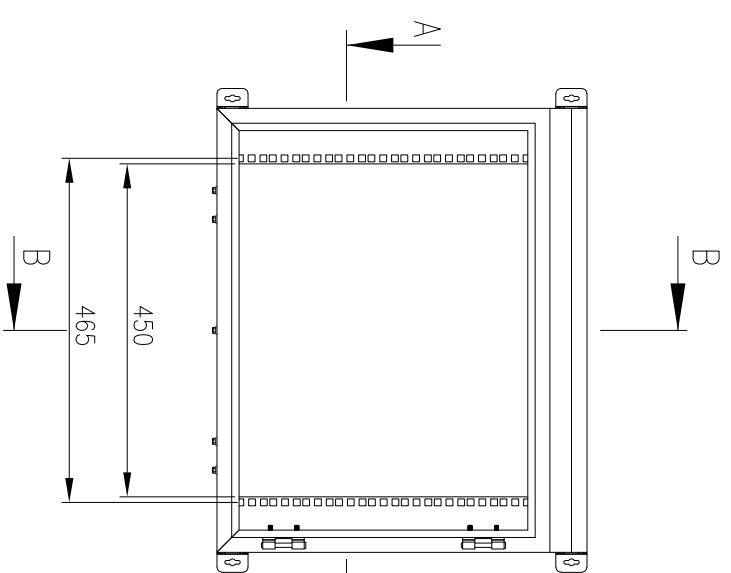
PLAN



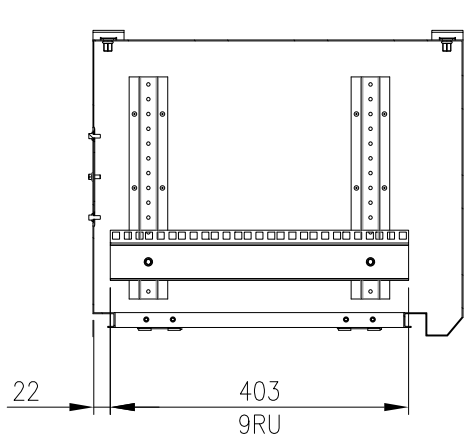
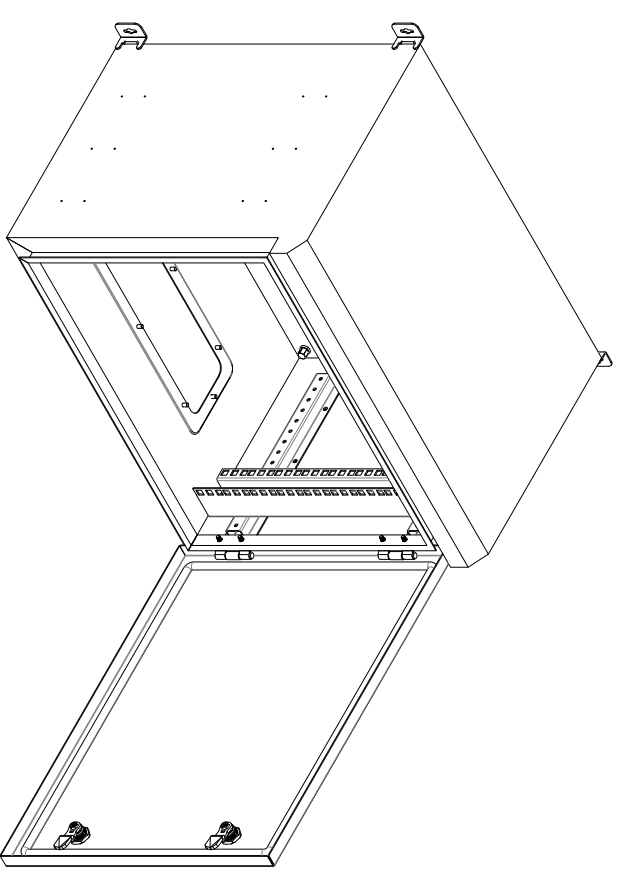
FRONT VIEW



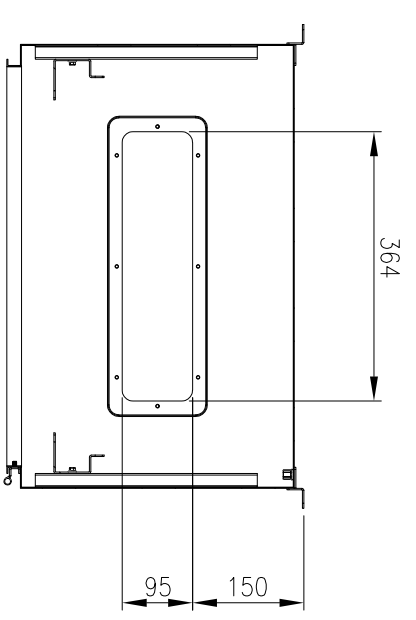
SIDE VIEW



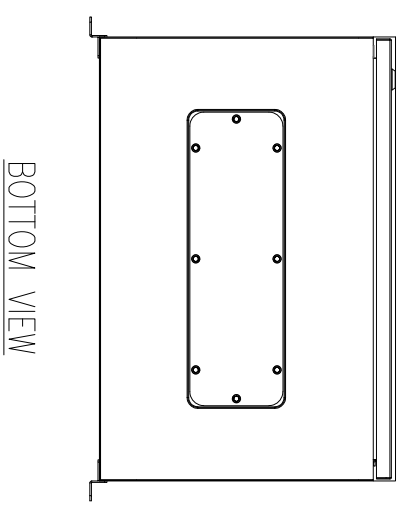
FRONT VIEW - DOOR REMOVED



SECTION BB



SECTION AA



BOTTOM VIEW

**MATERIAL**  
 BODY: 1.5mm GALVANISED STEEL SHEET  
 DOOR: 1.5mm GALVANISED STEEL SHEET  
 19" RAILS: 1.5mm GALVANISED STEEL SHEET  
 SEAL: POLYURETHANE  
 SURFACE TREATMENT: POWDER-COAT 80-120micron

**PROTECTION:** IP66 IK10, NEMA4  
**STANDARD:** EIA-310-D, IEC/EN/AS60529

© IP ENCLOSURES 2016.  
 THIS DRAWING SHALL NOT BE COPIED OR REPRODUCED  
 WITHOUT AUTHORISATION FROM IP ENCLOSURES.  
 www.ipenclosures.com.au

Item#	Quantity	Part/Item no, designation, material, dimension etc.	Article No./Reference
IP	1	9RU 19" DATA RACK 400 DEEP	IP-SWGRU40
IP	1	19" RAIL	IP-SWGRU40
IP	1	DOOR	IP-SWGRU40
IP	1	SEAL	IP-SWGRU40
IP	1	BASE	IP-SWGRU40

Designed by: IP  
 Checked by: IP  
 Approved by: -date: 16/09/19  
 Filename: IP-SWGRU40  
 Date: 16/09/19  
 Scale: 1:10  
 Edition: 0  
 Sheet: 1/1

