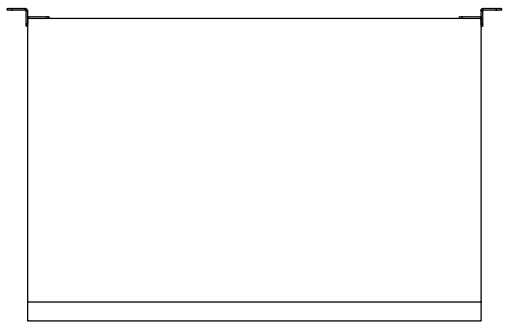
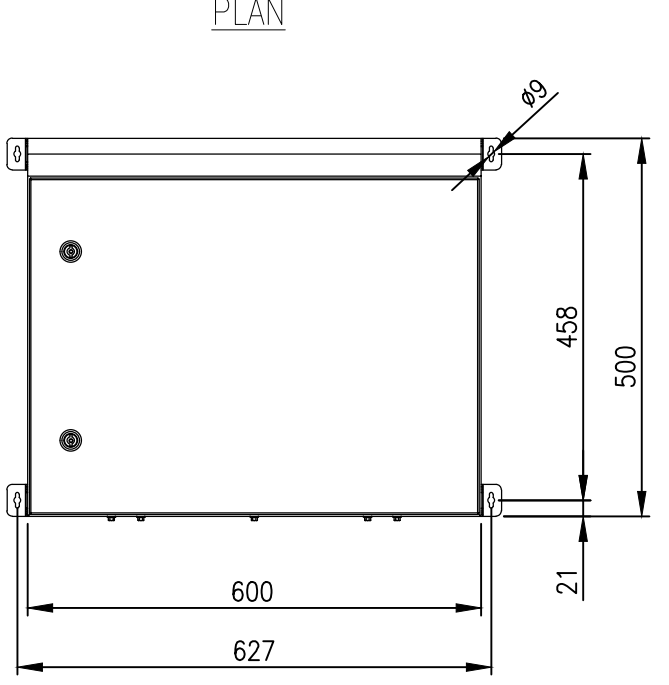
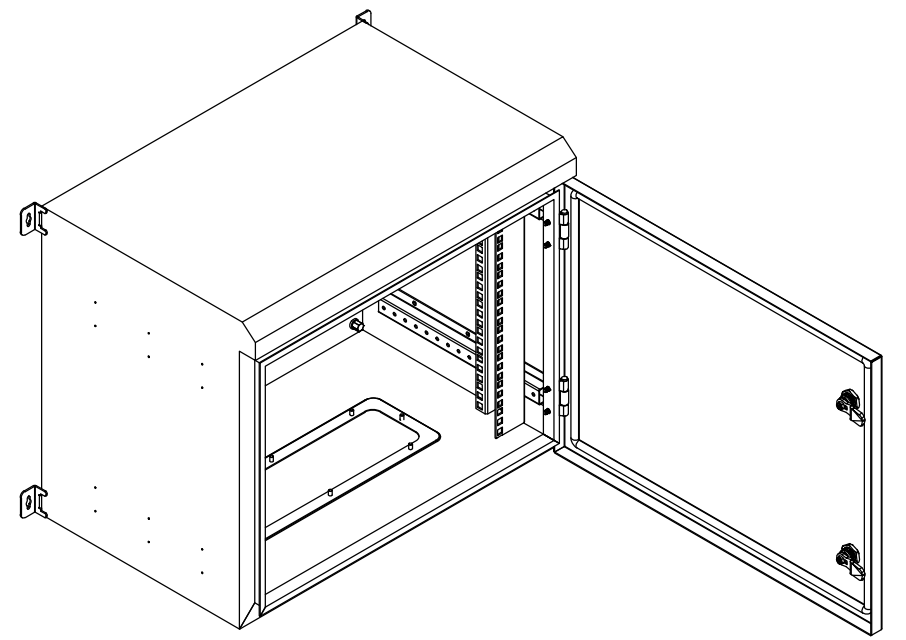


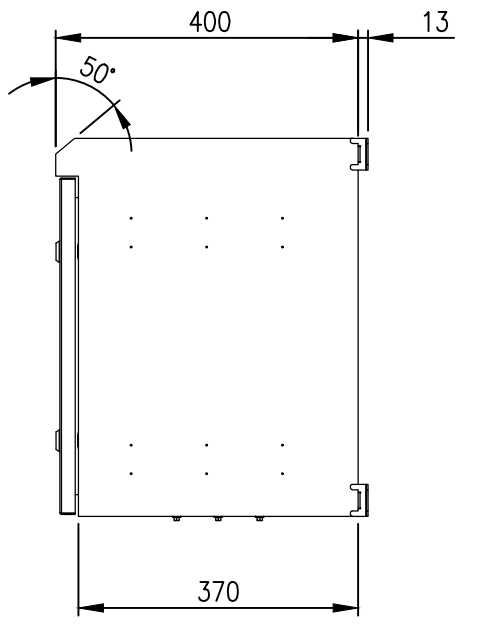
| RevNo | Revision note | Date | Signature | Checked |
|-------|------------------|----------|-----------|---------|
| 1 | GENERAL REVISION | 28/02/23 | IP | IP |



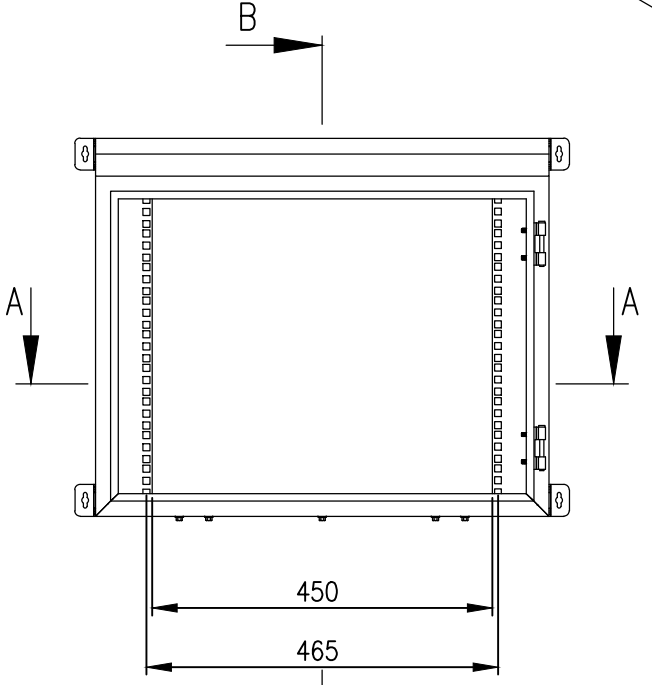
PLAN



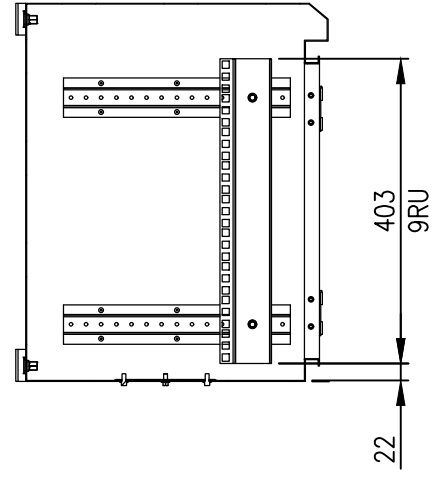
FRONT VIEW



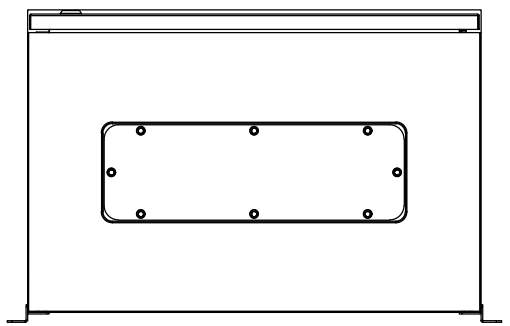
SIDE VIEW



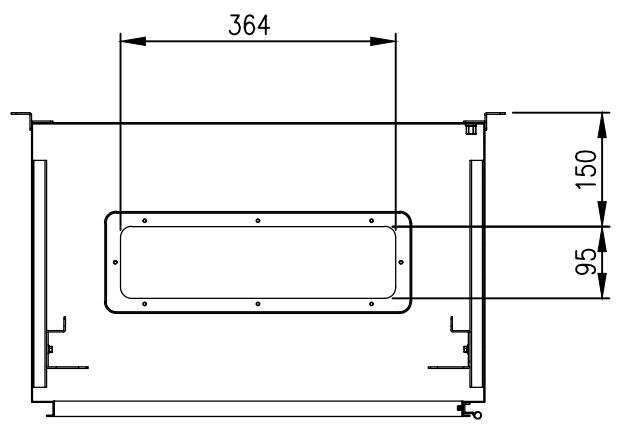
FRONT VIEW - DOOR REMOVED



SECTION BB



BOTTOM VIEW



SECTION AA

MATERIAL
 BODY: 1.5mm GALVANISED STEEL SHEET
 DOOR: 1.5mm GALVANISED STEEL SHEET
 19" RAILS: 1.5mm GALVANISED STEEL SHEET
 SEAL: POLYURETHANE
 SURFACE TREATMENT: POWDER-COAT 80-120micron
 COLOR: RAL 9005 JET BLACK

PROTECTION: IP66 IK10, NEMA 4
STANDARD: EIA-310-D, IEC/EN/AS60529

© IP ENCLOSURES 2016.
 THIS DRAWING SHALL NOT BE COPIED OR REPRODUCED
 WITHOUT AUTHORISATION FROM IP ENCLOSURES.
 www.ipenclosures.com.au

| Itemref | Quantity | Title/Name, designation, material, dimension etc | Article No./Reference |
|-------------------|------------------|--|--|
| Designed by IP | Checked by IP | Approved by - date 16/09/19 | Filename IP-SDW9RU40-BLK |
| Date 16/09/19 | | | Scale 1:10 |
| | | | 9RU 19" DATA RACK 400 DEEP IP-SDW9RU40-BLK |
| Edition 1 | | | Sheet 1/1 |