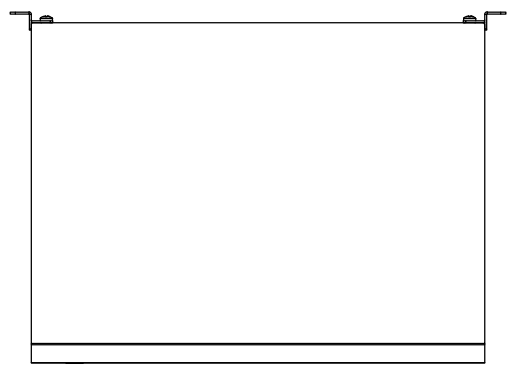
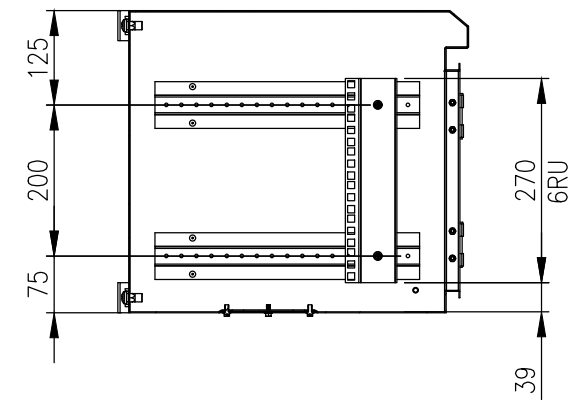
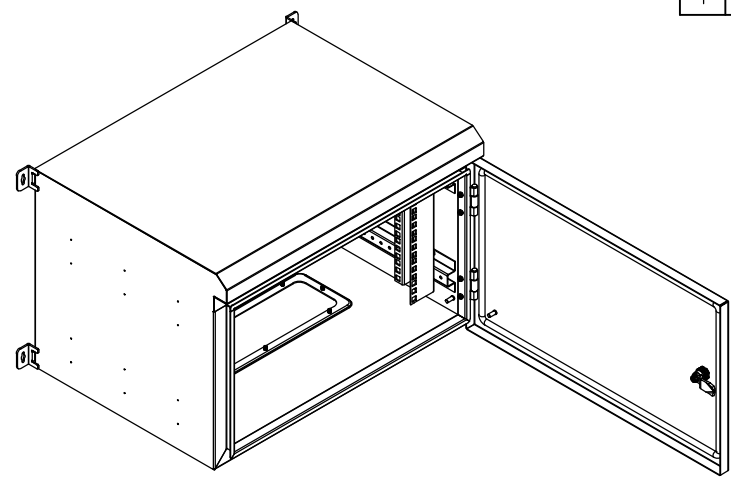


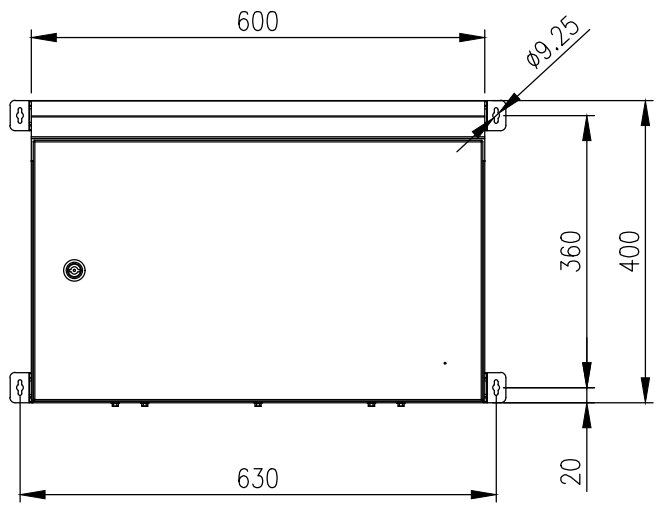
RevNo	Revision note	Date	Signature	Checked
1	GENERAL REVISION	26/09/25	IP	IP



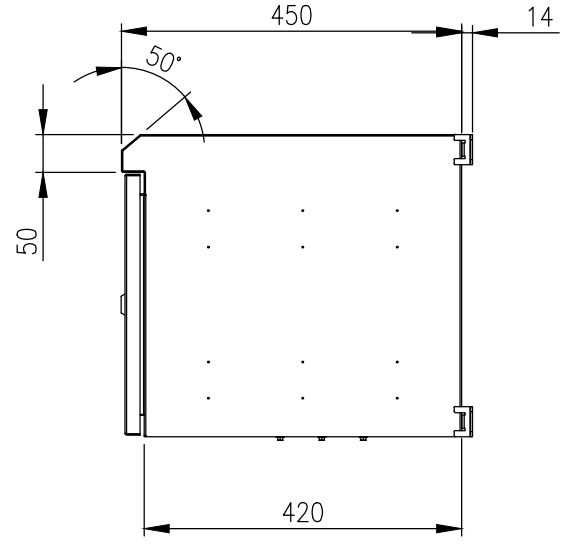
TOP VIEW



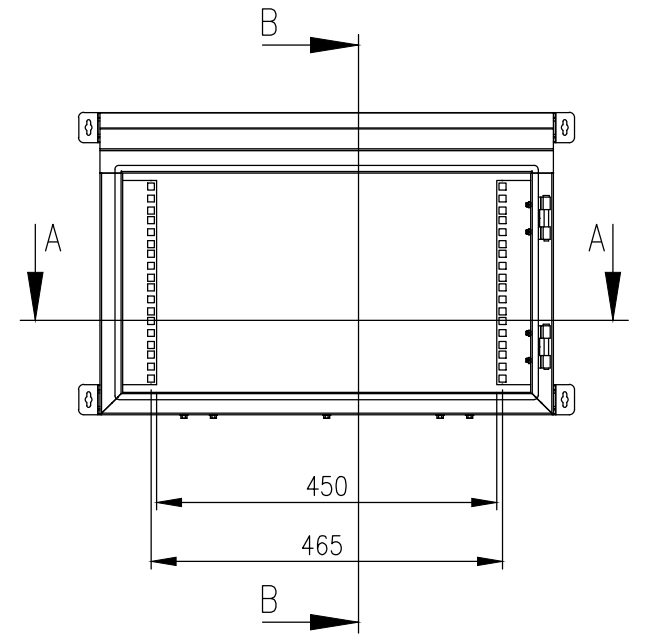
SECTION B-B



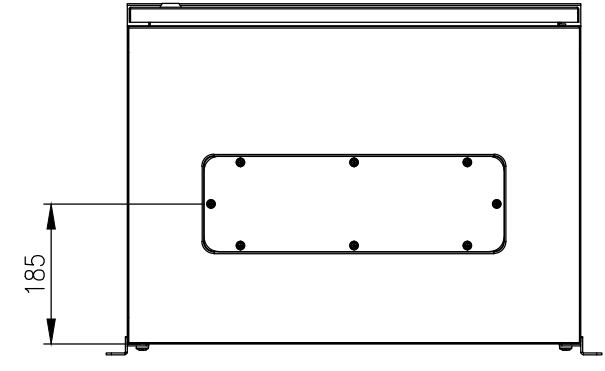
FRONT VIEW



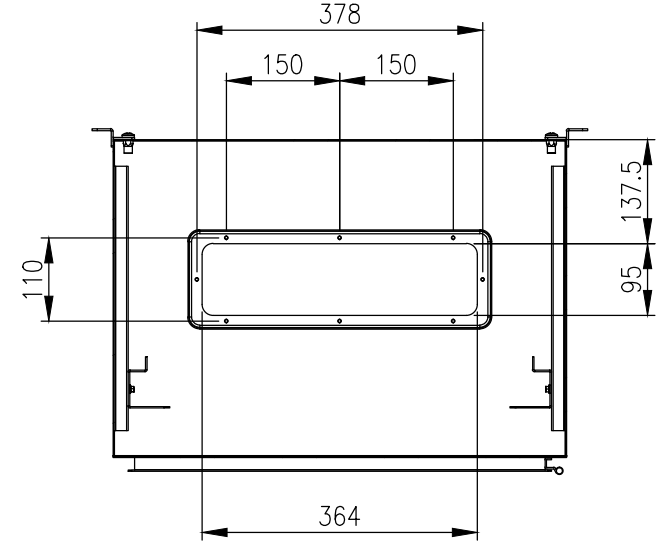
SIDE VIEW



FRONT VIEW-DOOR REMOVED



BOTTOM VIEW



SECTION A-A

MATERIAL
 BODY: 1.5mm GALVANISED STEEL SHEET
 DOOR: 1.5mm GALVANISED STEEL SHEET
 19" RAILS: 1.5mm GALVANISED STEEL SHEET
 SEAL: POLYURETHANE. UL LISTED.
 SURFACE TREATMENT: POWDER-COAT 80-120micron
 COLOUR: RAL7035 LIGHT GREY

MASS: 22.0Kg.

PROTECTION: IP66 IK10
STANDARD: IEC/EN 60529, IEC/EN 62208, EIA-310-D

© IP ENCLOSURES 2022.
 THIS DRAWING SHALL NOT BE COPIED OR REPRODUCED
 WITHOUT AUTHORISATION FROM IP ENCLOSURES.
 www.ipenclosures.com.au

IMPORTANT NOTE:
 WALL MOUNTING BRACKETS ARE NOT INCLUDED
 AND MUST BE ORDERED SEPARATELY.

Itemref	Quantity	Title/Name, designation, material, dimension etc	Article No./Reference
IP	1	6RU 19" DATA RACK 450 DEEP	IP-SDW6RU45
IP	1	IP-SDW6RU45	IP-SDW6RU45
IP	1	IP-SDW6RU45	IP-SDW6RU45



6RU 19" DATA RACK 450 DEEP
 IP-SDW6RU45
 Edition 1
 Sheet 1/1