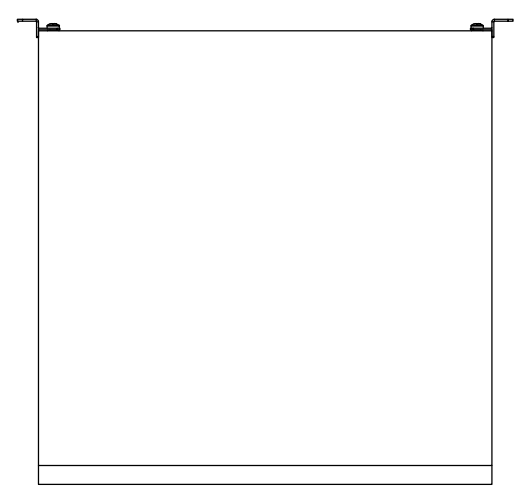
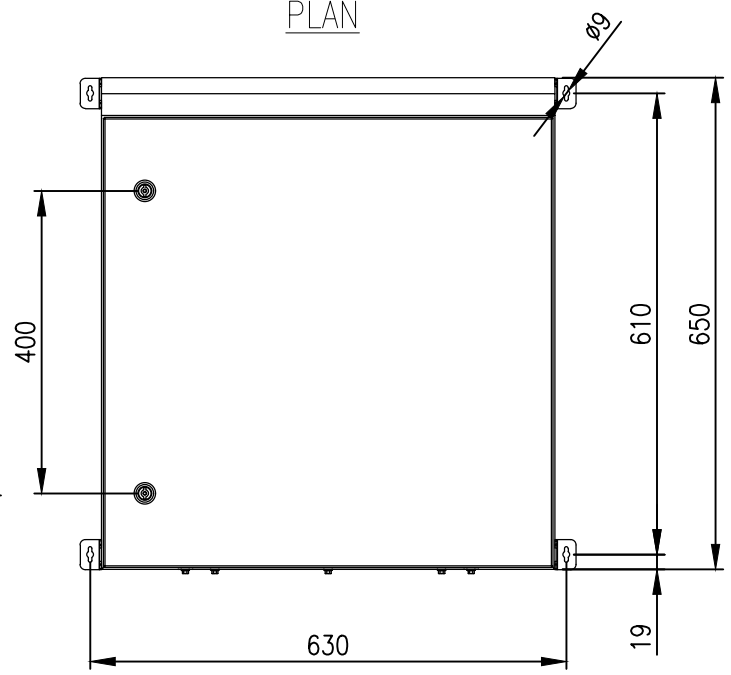
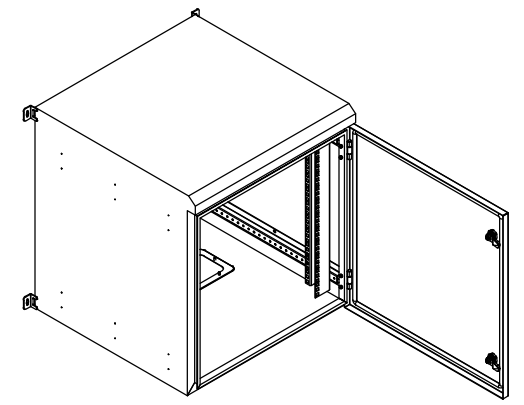


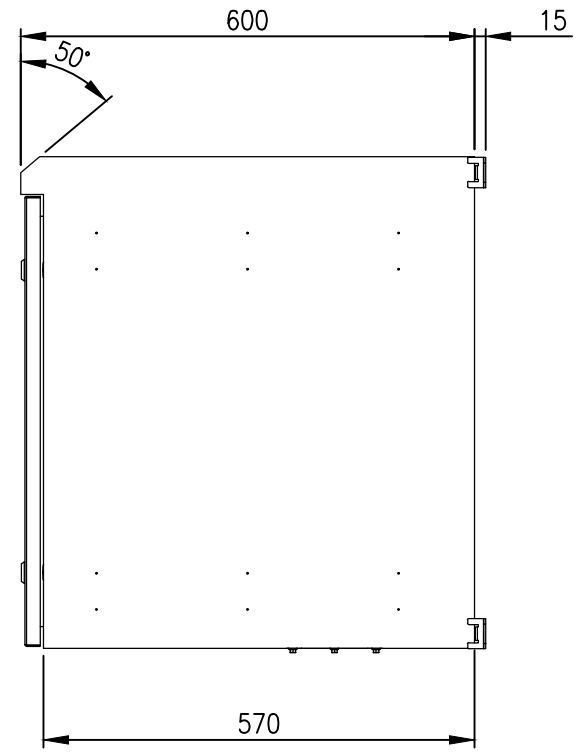
RevNo	Revision note	Date	Signature	Checked
1	GENERAL REVISION	14/11/22	IP	IP



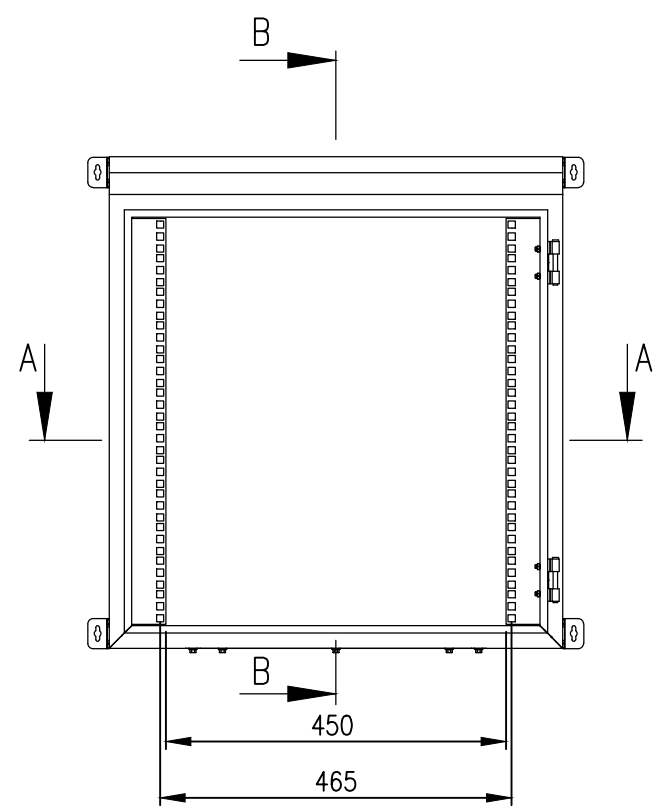
PLAN



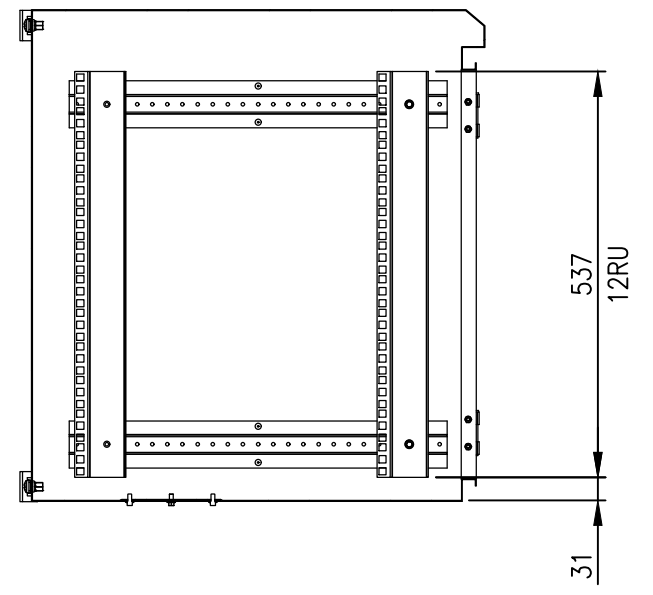
FRONT VIEW



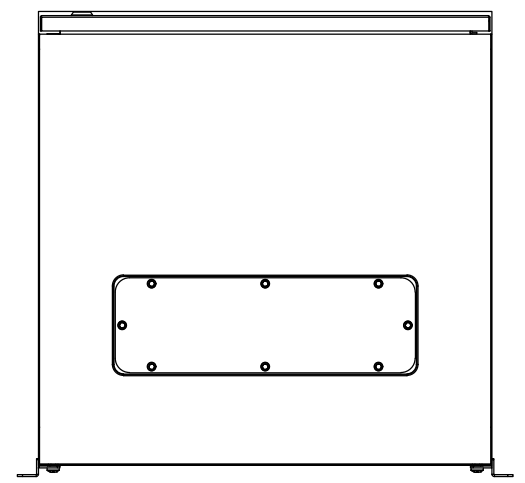
SIDE VIEW



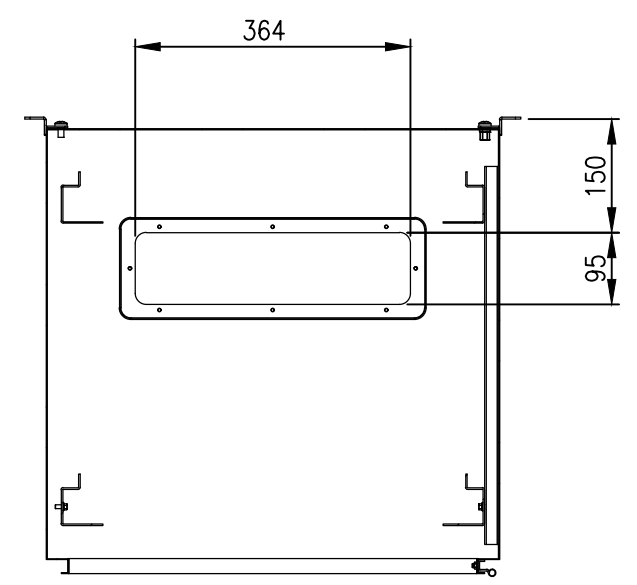
FRONT VIEW - DOOR REMOVED



SECTION BB



BOTTOM VIEW



SECTION AA

MATERIAL
 BODY: 1.5mm GALVANISED STEEL SHEET
 DOOR: 1.5mm GALVANISED STEEL SHEET
 19" RAILS: 1.5mm GALVANISED STEEL SHEET
 SEAL: POLYURETHANE
 SURFACE TREATMENT: POWDER-COAT 80-120micron
 COLOR: RAL 9005 JET BLACK

PROTECTION: IP66 IK10, NEMA4
STANDARD: EIA-310-D, IEC/EN/AS60529

© IP ENCLOSURES 2016.
 THIS DRAWING SHALL NOT BE COPIED OR REPRODUCED
 WITHOUT AUTHORISATION FROM IP ENCLOSURES.
 www.ipenclosures.com.au

Itemref	Quantity	Title/Name, designation, material, dimension etc	Article No./Reference
Designed by IP	Checked by IP	Approved by - date 16/09/19	Filename IP-SDW12RU60-BLK
Date 16/09/19		Scale 1:10	
			12RU 19" DATA RACK 600 DEEP
IP-SDW12RU60-BLK			Edition 1
			Sheet 1/1