

DISTRIBUTION BOARD | STEEL

3RU (To suit 19" Racks)
Supplied with Cover Panel

The IP Enclosures range of 19" rack-mounted DIN Rails, distribution panels and shelves provide flexibility to fit DIN mounted electrical and control components into 19" racks.

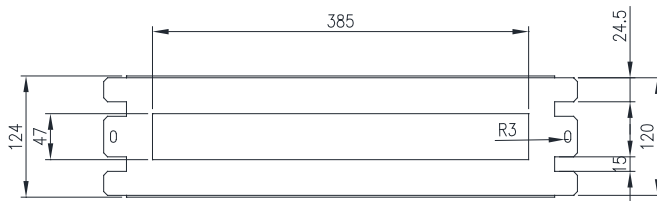
Standard: Compatible with 19" Racks EIA-310-D, RoHS

Unit Size: 3RU

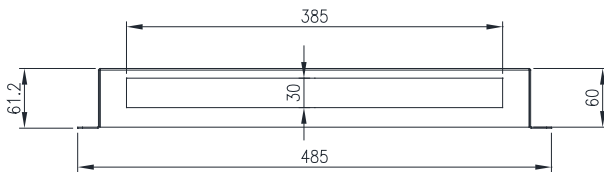
Material: 1.2mm Galvanised Steel Sheet.
- Supplied with Cover Panel.

Slotted DIN Rail Material:

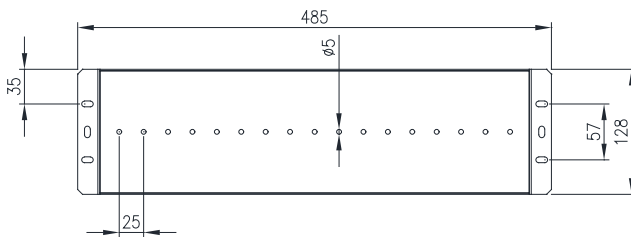
- Electrogalvanised steel 7.5 x 35 RoHS Compliant.
- Width: Standard 35mm wide symmetrical TS35 DIN Rail compatible with EN50022 and DIN46277-3.



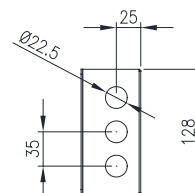
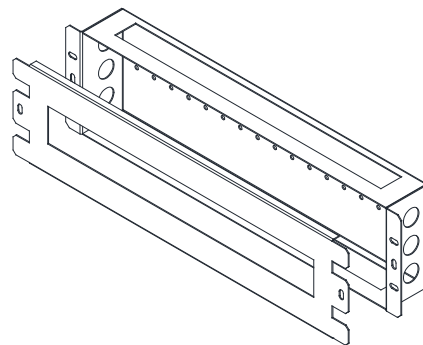
FRONT VIEW-COVER PANEL



TOP VIEW



FRONT VIEW-DISTR. BOARD



SIDE VIEW-DISTR. BOARD