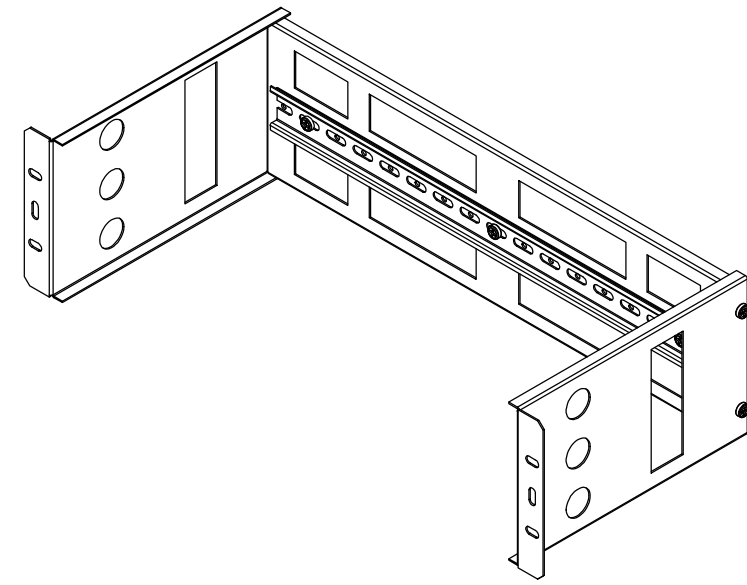
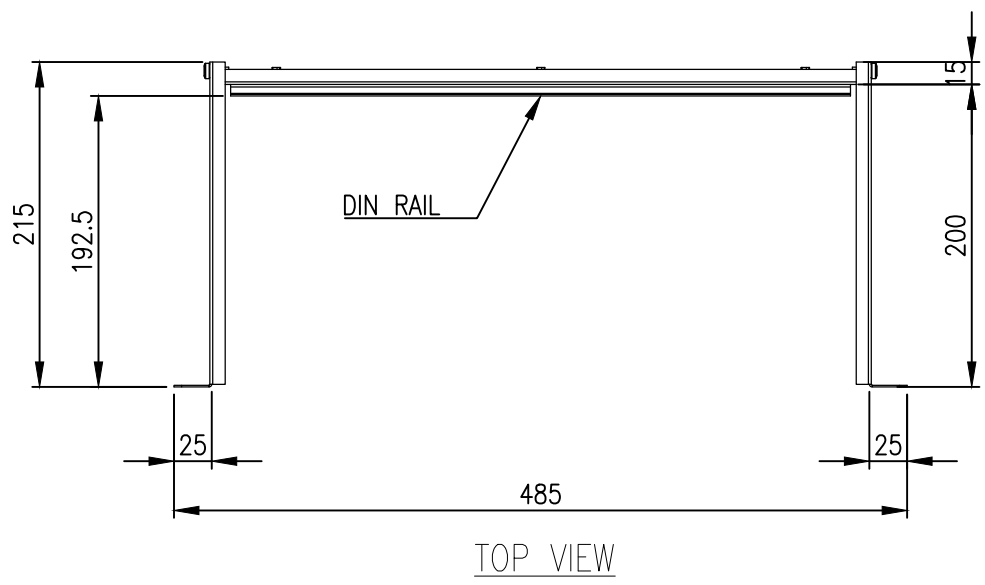
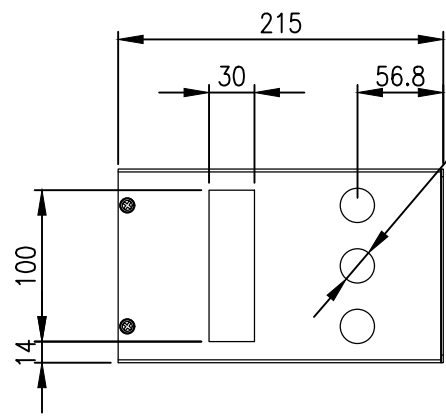


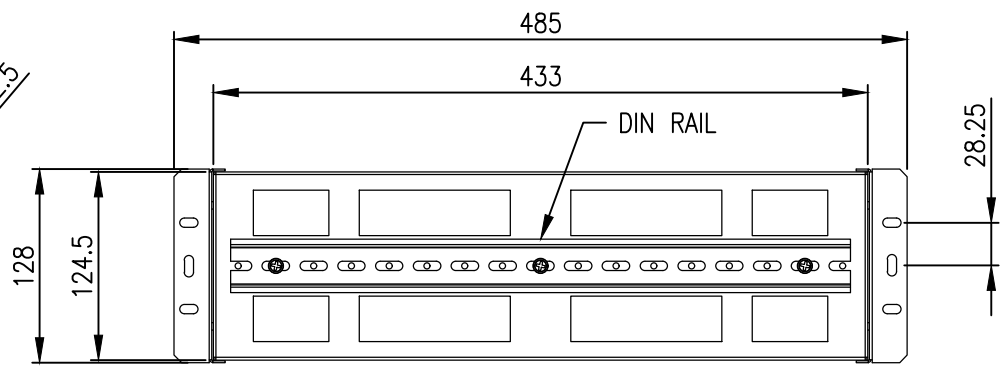
RevNo	Revision note	Date	Signature	Checked
1	GENERAL REVISION	15/03/24	IP	IP



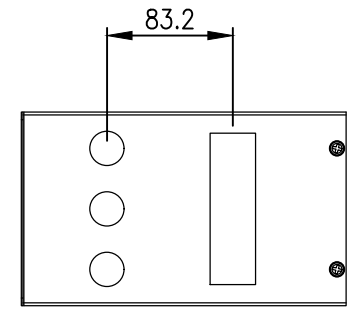
TOP VIEW



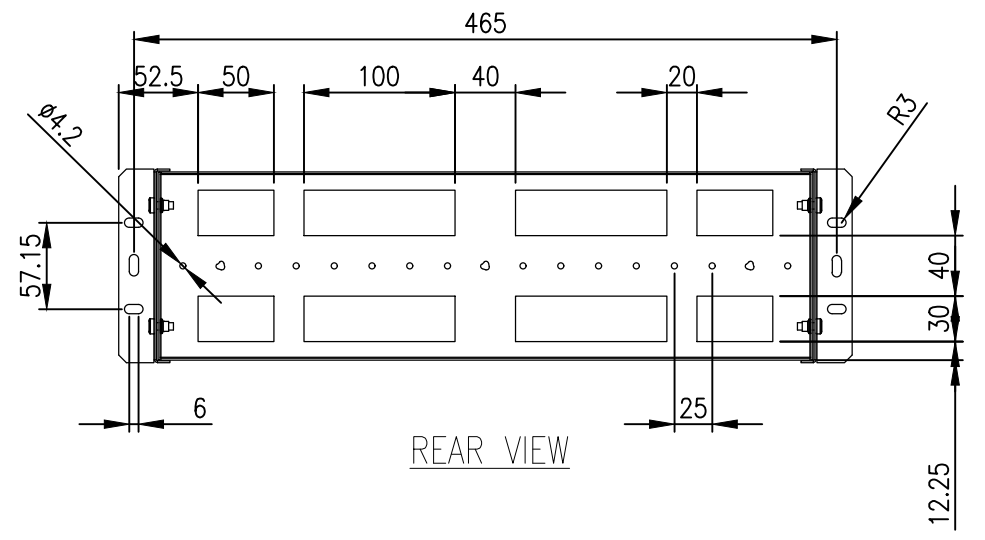
LEFT SIDE VIEW



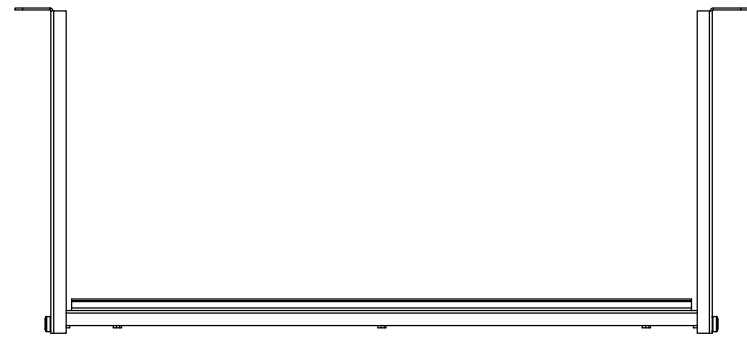
FRONT VIEW



RIGHT SIDE VIEW



REAR VIEW



BOTTOM VIEW

© IP ENCLOSURES 2022.
THIS DRAWING SHALL NOT BE COPIED OR REPRODUCED
WITHOUT AUTHORISATION FROM IP ENCLOSURES.
www.ipenclosures.com.au

Itemref	Quantity	Title/Name, designation, material, dimension etc	Article No./Reference
IP	1	3RU 19" DIN TERMINAL RAIL	IP-SDDINPANEL3
Designed by	Checked by	Approved by - date	Filename
IP	IP	22/08/22	IP-SDDINPANEL3
Date	Scale	Edition	
22/08/22	1:5	1	
Sheet			1/1



3RU 19" DIN TERMINAL RAIL
IP-SDDINPANEL3