

SD-HD 19" Heavy Duty Data Rack IP-SD1976080

STEEL | FRONT & REAR SINGLE DOOR | IP55

19" 36RU - 1970H x 600W x 800D

IP Enclosures SD-HD range of heavy duty IP55 19" data racks are designed for heavy duty outdoor applications to house sensitive data network equipment in harsh environments. They are suitable for internal and external installations. Heavy Duty data racks are constructed to withstand heavy loads associated with heavy equipment such as battery storage. Front and rear access doors are also provided.

Protection: IP55 IK10, NEMA 4

Standards (& Conformities): IEC/EN 60529, IEC/EN 62208, EIA-310-D, RoHS



Rack Unit Size: 36RU

Material:

- Enclosure Body: 2.0mm galvanised steel sheet
- Enclosure Door: 2.0mm galvanised steel sheet
- 19" Data Rack Rails: 1.5mm galvanised steel sheet
- Gland Plate: 1.5mm galvanised steel sheet
- Enclosure Seal: Polyurethane

Body: The robust monoblock body is 2.0 mm galvanised steel sheet. Precision automated manufacturing equipment ensures accuracy and consistent high quality. Flat face sealing surfaces increase seal life. A galvanised steel gland plate is also incorporated into the bottom face. The enclosure body and rails have been constructed to withstand heavy loads associated with heavy equipment such as heavy battery storage.

Doors: The front and rear surface mounted doors are 2.0mm galvanised steel sheet. They incorporate concealed removable hinges with captive pins. Doors are also designed for a 110° opening. Each door contains integral cable management rail studs and an M6 earth stud. The cable management rails are removable to provide more space for control components. (Extra heavy duty range includes front and rear door).

19" Data Rack Rails: Front and rear 19" data rack rails are fabricated from 1.5mm galvanised steel sheet.

Door Seal: A high quality machine-applied full perimeter UL listed Polyurethane seal foamed in place (FIP) provides excellent sealing over a long life. Temperature resistance -40°C to 80°C (160°C short term loading).

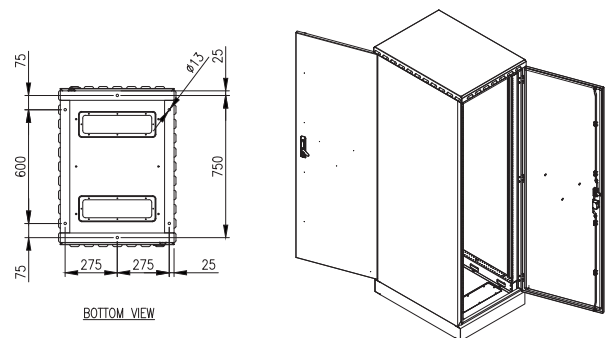
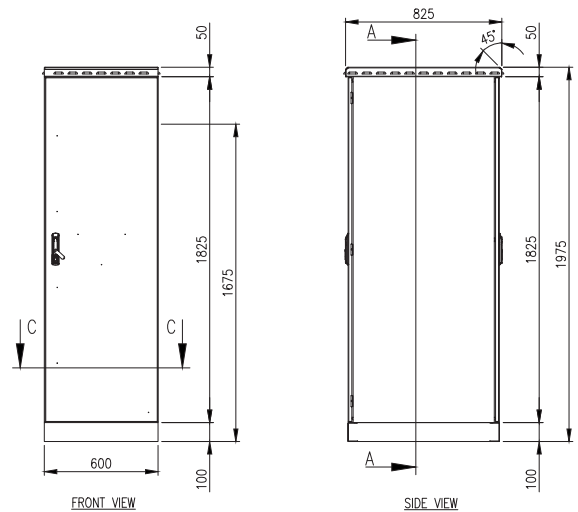
Locks: 3 point locking system with key-lock swing handle. A full range of locking solutions are available upon request.

Gland Plates: Gland plates are incorporated into the bottom face of the enclosure for cable management. They are provided with gaskets and fasteners. The size and quantity vary according to enclosure size.

Surface Treatment: UL approved AkzoNobel epoxy polyester powder-coated with a textured finish. 80-120 micron average thickness. Colour RAL7035. (Other colours available upon request).

Mass: 150.0Kg.

Maximum Weight of Contents: 720.0Kg.



SD-HD 19" Heavy Duty Data Rack IP-SD1976080

STEEL | FRONT & REAR SINGLE DOOR | IP55

19" 36RU - 1970H x 600W x 800D

ACCESSORIES:

Part Number	Description
IP-SDDINPANEL1	1RU 19" DIN Terminal Rail
IP-SDCOVER1	1RU 19" Cover Panel
IP-EMH1	1RU 19" Cover Panel (Ventilated)
IP-SDDINPANEL2	2RU 19" DIN Terminal Rail
IP-SDCOVER2	2RU 19" Cover Panel
IP-EMH2	2RU 19" Cover Panel (Ventilated)
IP-SDDINPANEL3	3RU 19" DIN Terminal Rail
IP-SDCOVER3	3RU 19" Cover Panel
IP-EMH3	3RU 19" Cover Panel (Ventilated)
IP-SDDP3	3RU 19" Distribution Board (Supplied with Cover Panel)
IP-SDDINBOX4RU	4RU 19" Rack Mounted DIN Rail Housing
IP-SDBOX4RU	4RU 19" Rack Mount Housing
IP-SDDINBOX6RU	6RU 19" Rack Mounted DIN Rail Housing
IP-SDBOX6RU	6RU 19" Rack Mount Housing
IP-SDDINBOX8RU	8RU 19" Rack Mounted DIN Rail Housing
IP-SDBOX8RU	8RU 19" Rack Mount Housing
IP-RCLF120	1RU 19" Fixed Shelf; 200mmD
IP-RCLF130	1RU 19" Fixed Shelf; 300mmD
IP-RCLF140	1RU 19" Fixed Shelf; 400mmD
IP-RCLF240	2RU 19" Fixed Shelf; 400mmD
IP-RCLF340	3RU 19" Fixed Shelf; 400mmD
IP-RCHF130	1RU 19" Fixed Shelf; 300mmD
IP-RCHF140	1RU 19" Fixed Shelf; 400mmD
IP-RNG2U19	2RU Cable Organiser for Data Rack
IP-M6SCREW-CAGENUT	M6 Cage Nut and Screw for 19" Data Racks - Pack of 50

CERTIFICATES:

IEC 60529 Degrees of protection provided by enclosures: Certificate AB-0386-T 2311.14.01/00

IEC/EN 62208 Empty Enclosures for low-voltage switchgear and controlgear assemblies: Certificate 0366932-TSE-01/01

CE Certificate of Compliance: Certificate SZT-24 MA 33485-1

UKCA Certificate of Compliance: Certificate SZT-25 MA 38734-1

Products are manufactured to Quality, Safety and Environmental Standards.

WARRANTY: 5 years.