

SLIDING SHELVES | STEEL | 225mm

1RU (To suit 19" Racks)

The IP Enclosures range of 19" rack-mounted DIN Rails, distribution panels and shelves provide flexibility to fit DIN mounted electrical and control components into 19" racks.

Standard: Compatible with 19" Racks EIA-310-D, RoHS

Unit Size: 1RU

Depth: 225mm

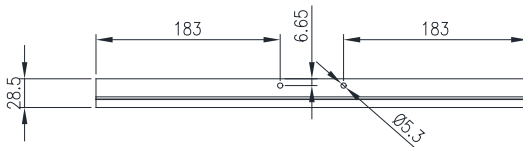
Material:

- Body: 1.5mm Galvanised steel sheet

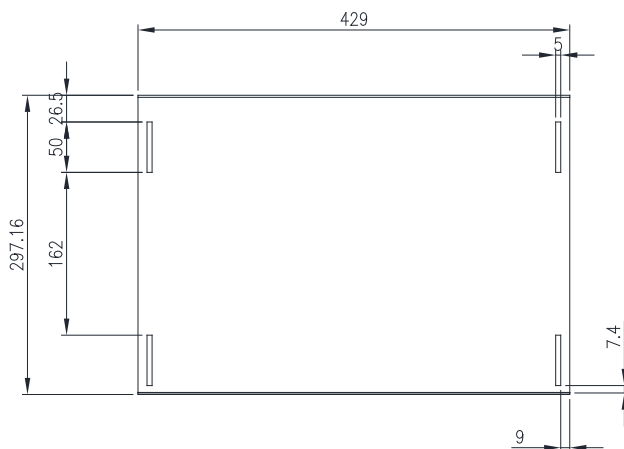
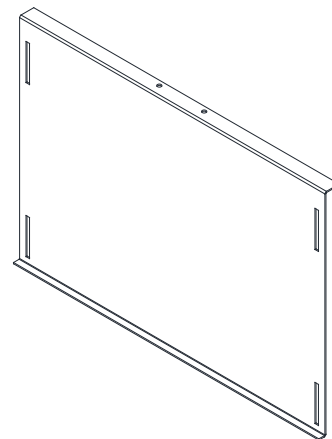
Body: The robust body is fabricated using 1.5mm Galvanised steel sheet.

Surface Treatment: UL approved epoxy polyester powder-coated with a textured finish. 80-120 micron average thickness. Colour: RAL 9005.

Shelf Rating: 25 Kg.



TOP VIEW



FRONT VIEW



SIDE VIEW