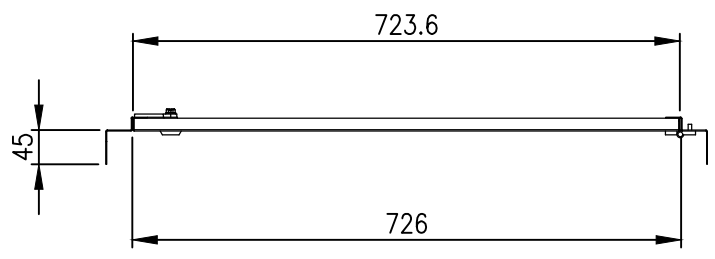
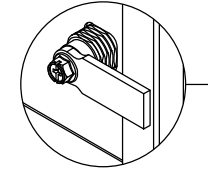


RevNo	Revision note	Date	Signature	Checked
0	GENERAL REVISION		IP	IP

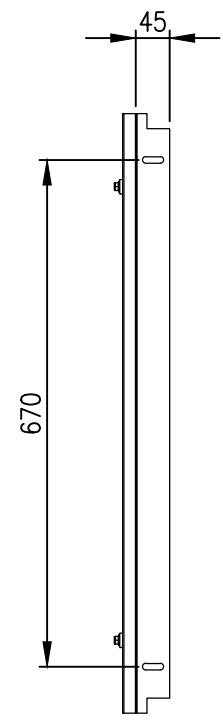
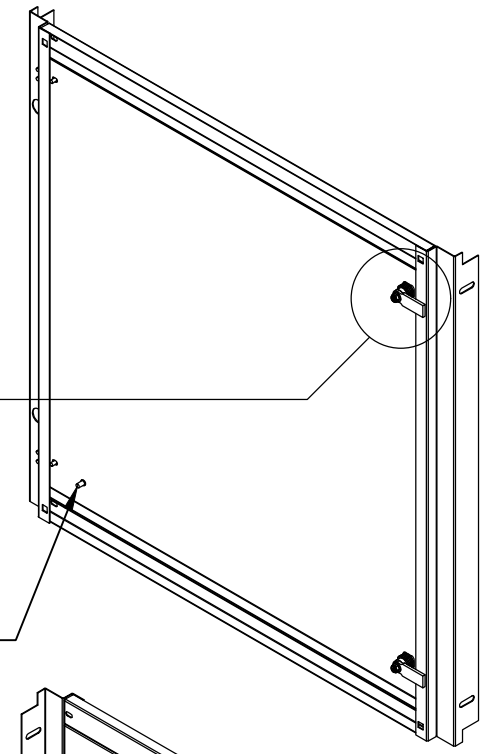


TOP VIEW

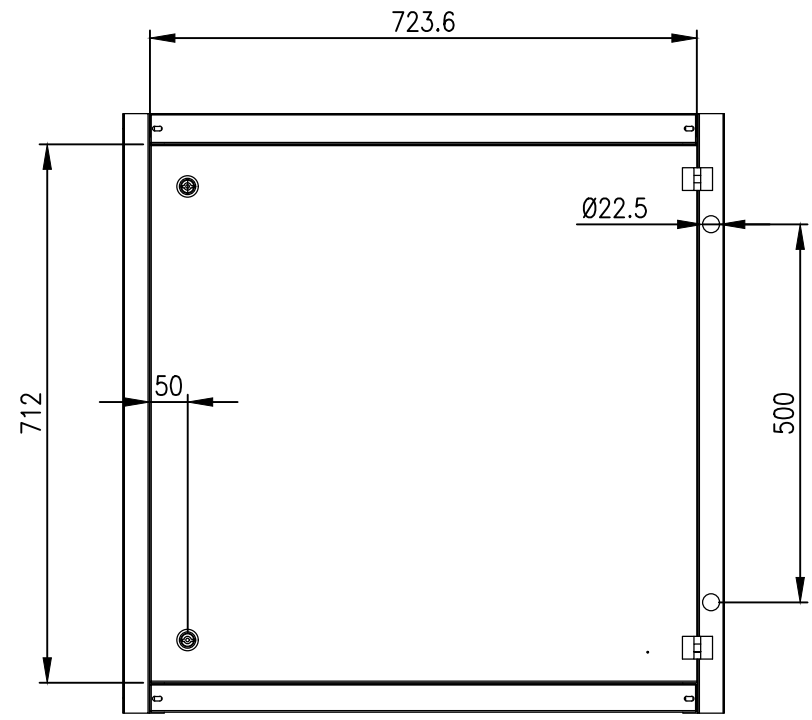


LOCKSET SPOT DETAIL

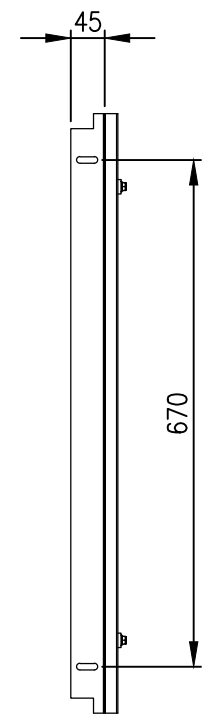
M6x10 STUD WELD (x1)



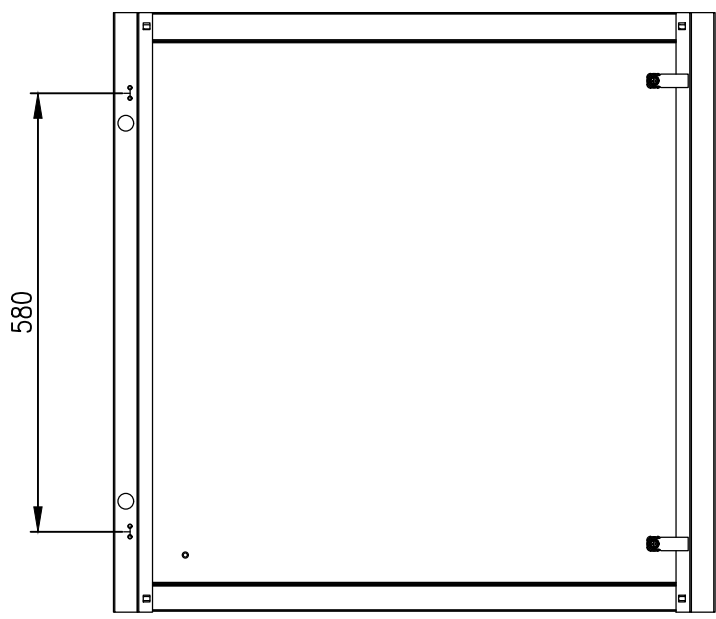
LEFT SIDE VERTICAL FRAME



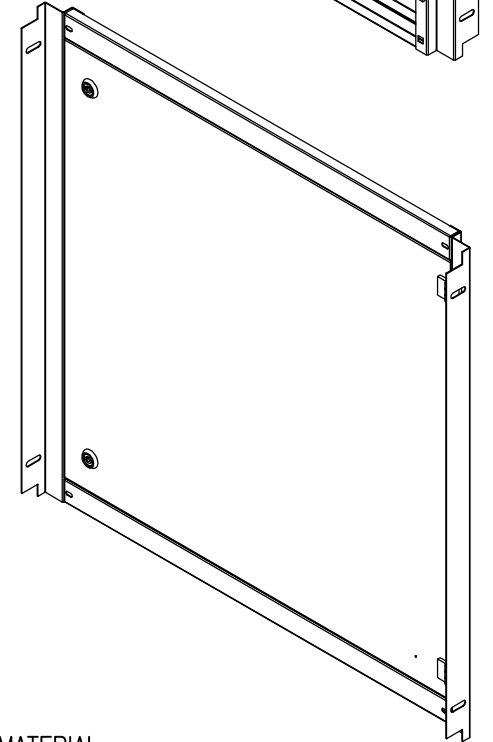
FRONT VIEW



RIGHT SIDE VERTICAL FRAME

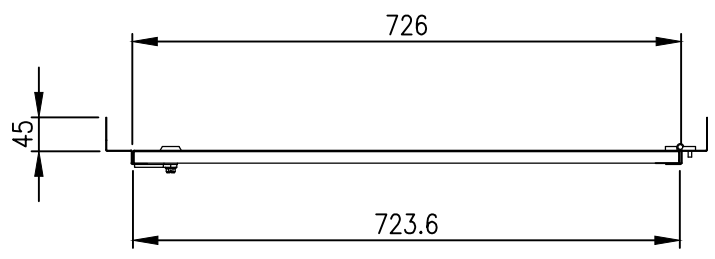


REAR VIEW



**MATERIAL**  
 FRAME: 1.2mm GALVANISED STEEL  
 DOOR PANEL: 1.2mm GALVANISED STEEL

**CLEARANCE/DISTANCE DIMENSIONS:**  
 -INNER DOOR TO OUTER DOOR: 68.3mm  
 -INNER DOOR TO MOUNTING PLATE:  
 -(ENCLOSURE WITH 200 DEPTH): 117.8mm  
 -(ENCLOSURE WITH 300 DEPTH): 217.8mm  
 -(ENCLOSURE WITH 400 DEPTH): 317.8mm



BOTTOM VIEW

© IP ENCLOSURES 2022.  
 THIS DRAWING SHALL NOT BE COPIED OR REPRODUCED  
 WITHOUT AUTHORISATION FROM IP ENCLOSURES.  
 www.ipenclosures.com.au

Itemref	Quantity	Title/Name, designation, material, dimension etc	Article No./Reference
Designed by IP	Checked by IP	Approved by - date 05/07/22	Filename IP-PSID8080 Date 05/07/22 Scale 1:10
IP Enclosures		800Hx800W STEEL INNER DOOR	
IP-PSID8080		Edition 0	Sheet 1/1