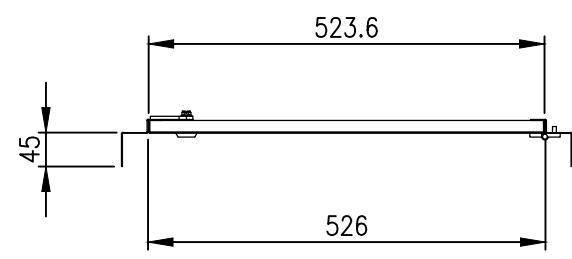
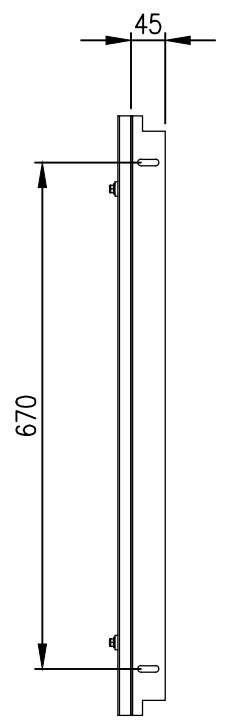


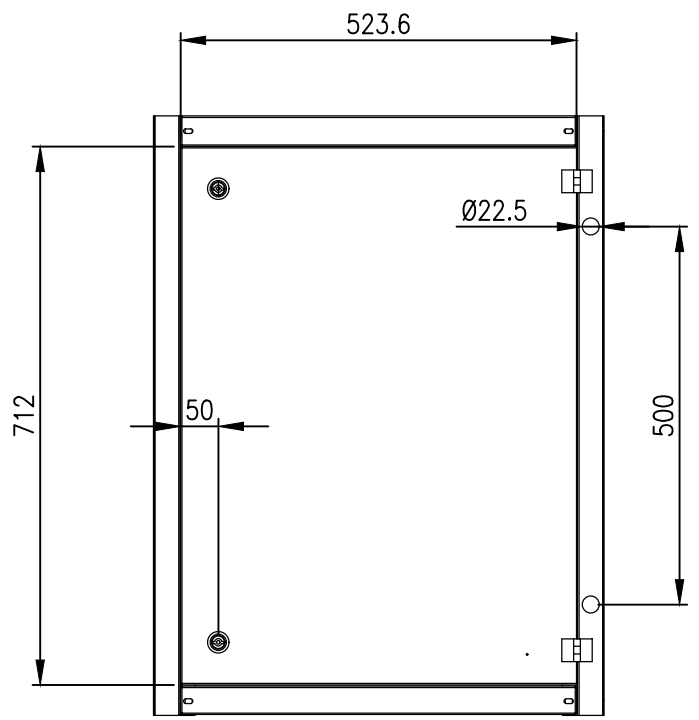
RevNo	Revision note	Date	Signature	Checked
0	GENERAL REVISION		IP	IP



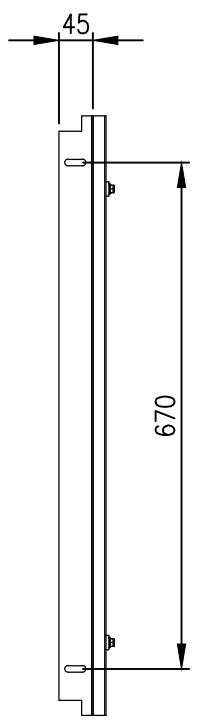
TOP VIEW



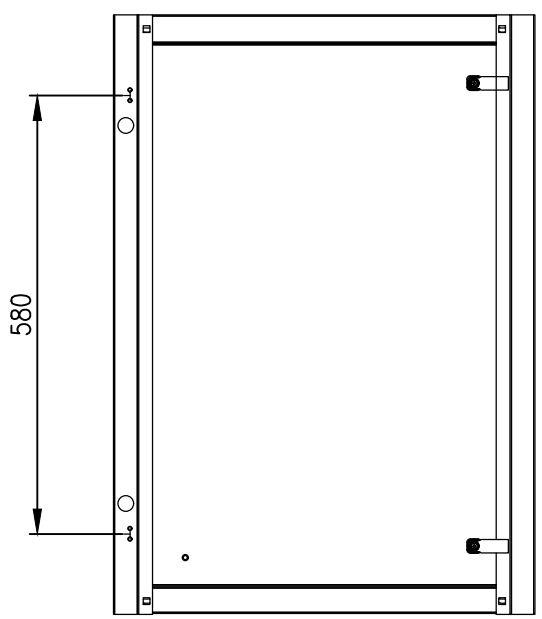
LEFT SIDE VERTICAL FRAME



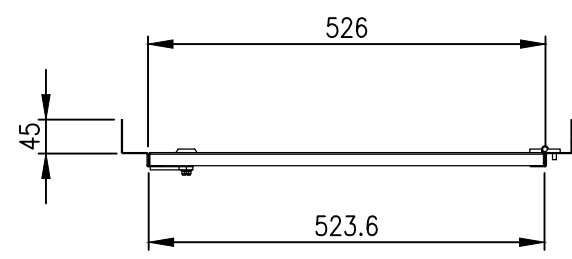
FRONT VIEW



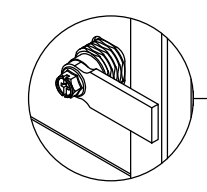
RIGHT SIDE VERTICAL FRAME



REAR VIEW

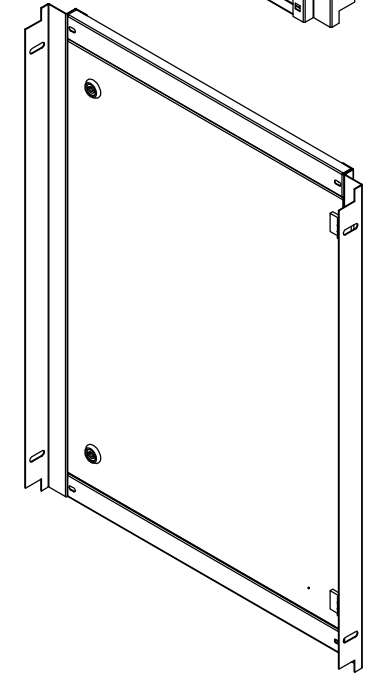
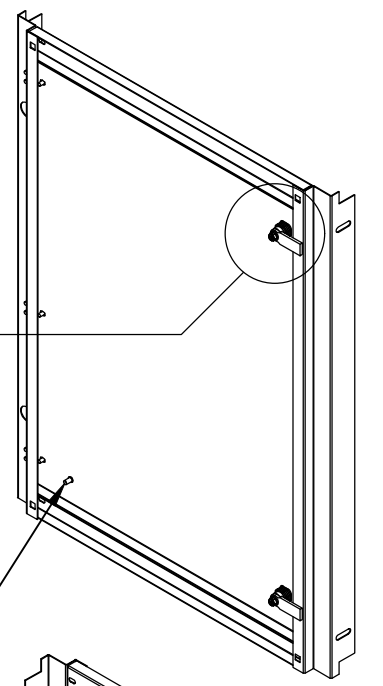


BOTTOM VIEW



LOCKSET SPOT DETAIL

M6x10 STUD WELD (x1)



**MATERIAL**  
 FRAME: 1.2mm GALVANISED STEEL  
 DOOR PANEL: 1.2mm GALVANISED STEEL

**CLEARANCE/DISTANCE DIMENSIONS:**  
 -INNER DOOR TO OUTER DOOR: 68.3mm  
 -INNER DOOR TO MOUNTING PLATE:  
 -(ENCLOSURE WITH 200 DEPTH): 117.8mm  
 -(ENCLOSURE WITH 250 DEPTH): 167.8mm  
 -(ENCLOSURE WITH 300 DEPTH): 217.8mm

© IP ENCLOSURES 2022.  
 THIS DRAWING SHALL NOT BE COPIED OR REPRODUCED  
 WITHOUT AUTHORISATION FROM IP ENCLOSURES.  
 www.ipenclosures.com.au

Itemref	Quantity	Title/Name, designation, material, dimension etc		Article No./Reference	
Designed by IP	Checked by IP	Approved by - date 05/07/22	Filename IP-PSID8060	Date 05/07/22	Scale 1:10
IP Enclosures			800Hx600W STEEL INNER DOOR		
IP-PSID8060			Edition 0	Sheet 1/1	