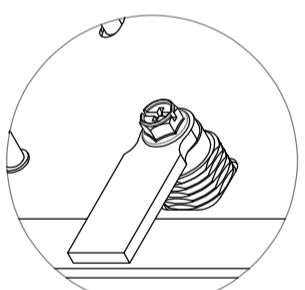
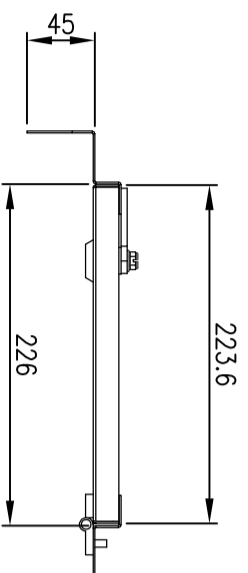


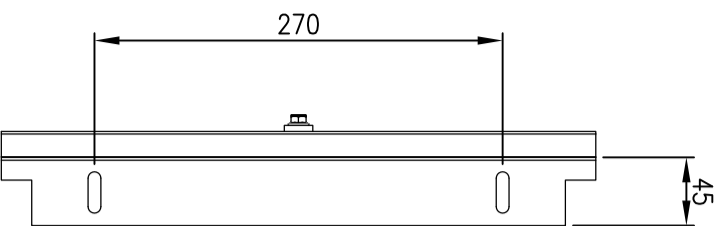
RevNo	Revision no	Date	Signature	Checked
0	GENERAL REVISION		IP	IP



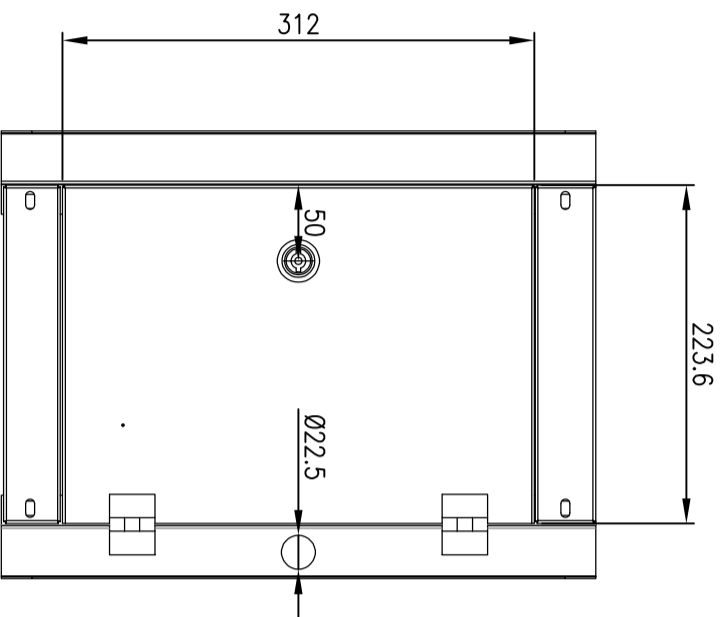
LOCKSET  
SPOT DETAIL



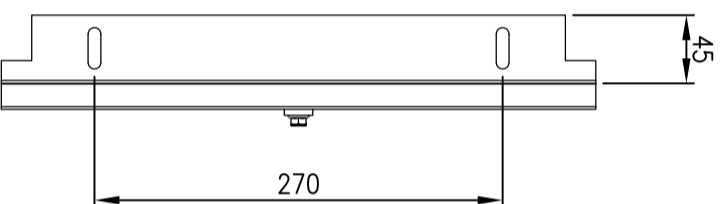
TOP VIEW



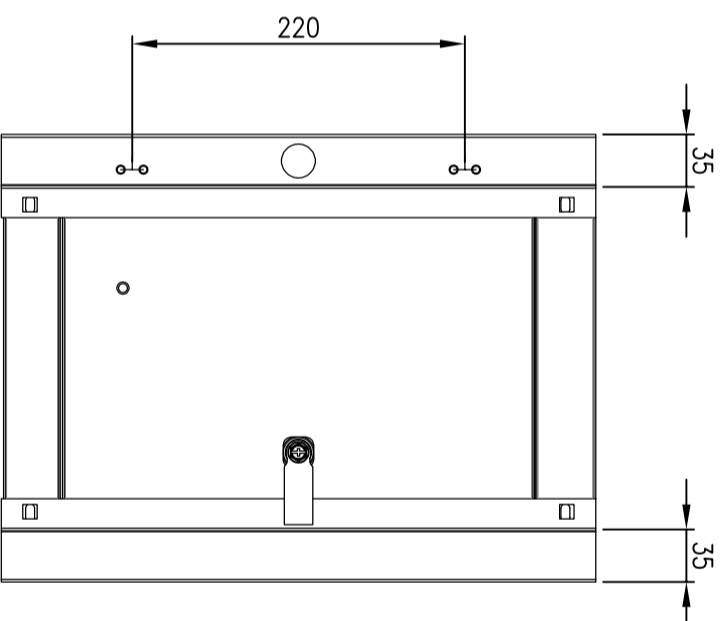
LEFT SIDE  
VERTICAL FRAME



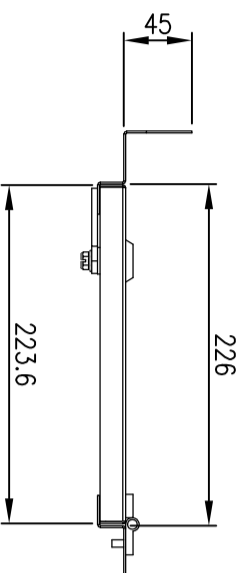
FRONT VIEW



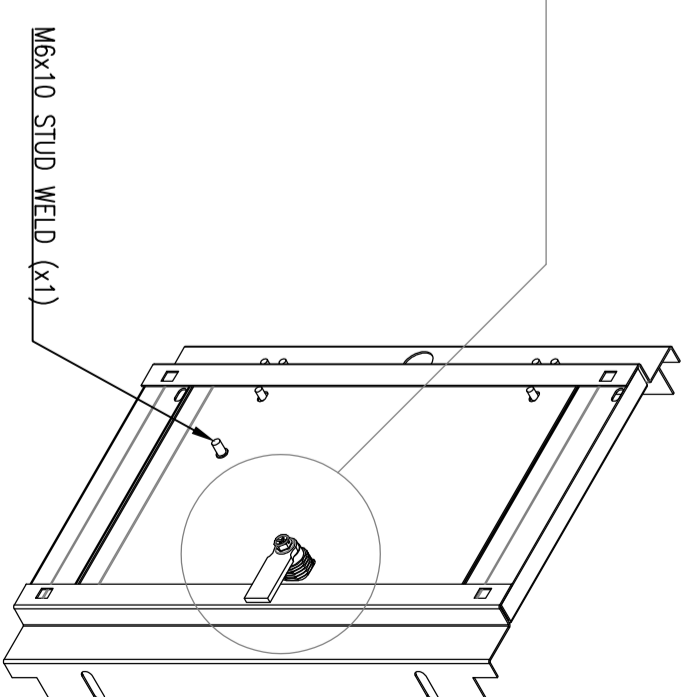
RIGHT SIDE  
VERTICAL FRAME



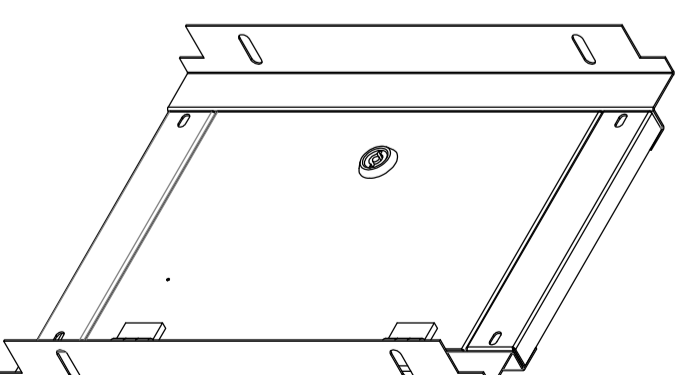
REAR VIEW



BOTTOM VIEW



M6x10 STUD WELD (x1)



**MATERIAL**  
 FRAME: 1.2mm GALVANISED STEEL  
 DOOR PANEL: 1.2mm GALVANISED STEEL

**CLEARANCE/DISTANCE DIMENSIONS:**  
 -INNER DOOR TO OUTER DOOR: 68.3mm  
 -INNER DOOR TO MOUNTING PLATE:  
 -(ENCLOSURE WITH 150 DEPTH): 67.8mm  
 -(ENCLOSURE WITH 200 DEPTH): 117.8mm

© IP ENCLOSURES 2022.  
 THIS DRAWING SHALL NOT BE COPIED OR REPRODUCED  
 WITHOUT AUTHORISATION FROM IP ENCLOSURES.  
 www.ipenclosures.com.au

Item	Quantity	Title/Name, designation, material, dimension etc	Article No./Reference
Designed by	IP	Checked by	IP
Approved by	30/06/22	File name	P-PS904030
Date	30/06/22	Scale	1:5
400HX300W STEEL INNER DOOR		IP-PS904030	0
Edition		Sheet	1/1

**IP Enclosures**