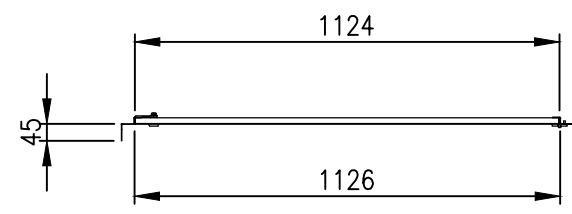
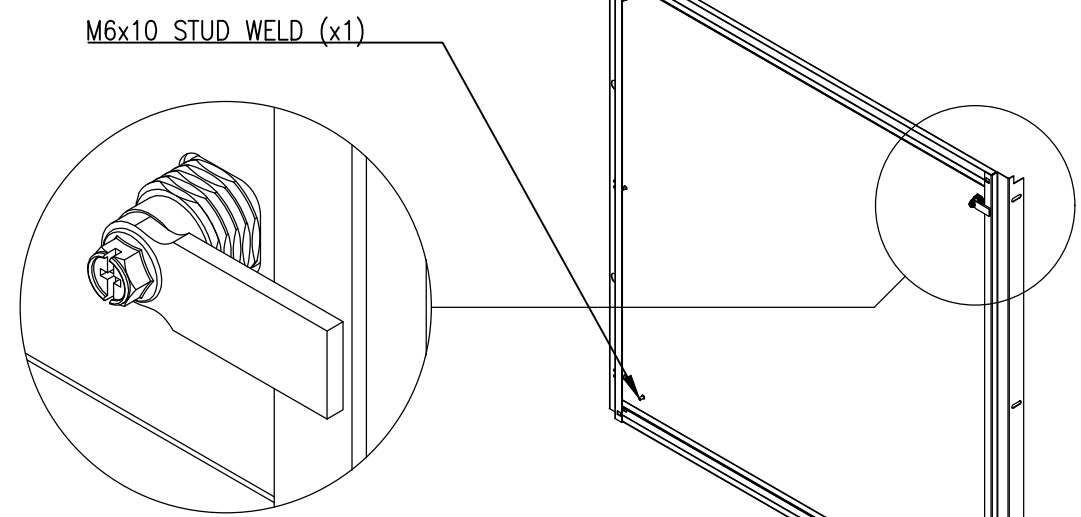


RevNo	Revision note	Date	Signature	Checked
0	GENERAL REVISION		IP	IP

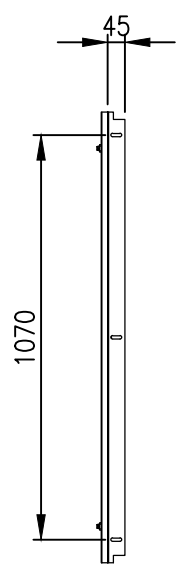


TOP VIEW

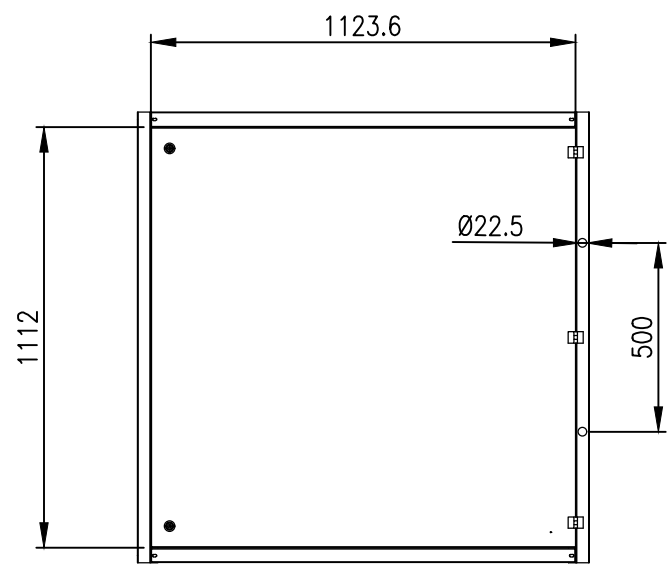


M6x10 STUD WELD (x1)

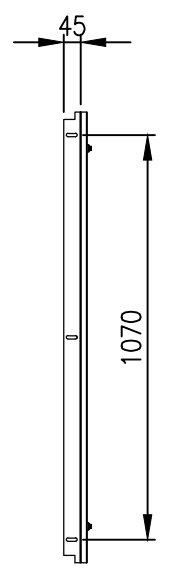
LOCKSET SPOT DETAIL



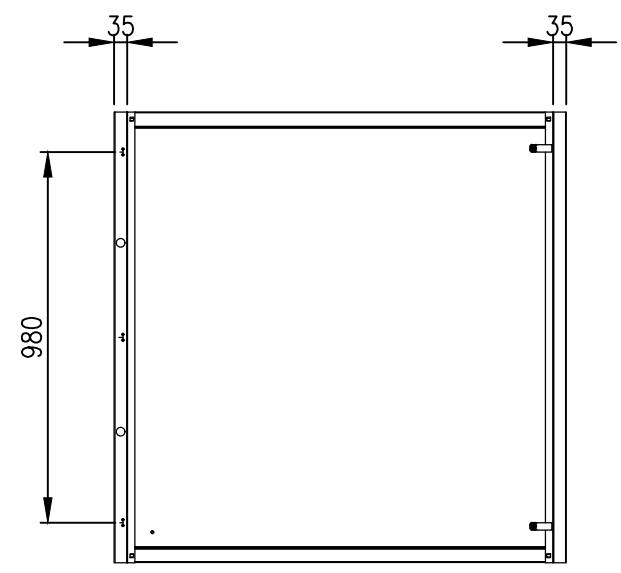
LEFT SIDE VIEW
VERTICAL FRAME



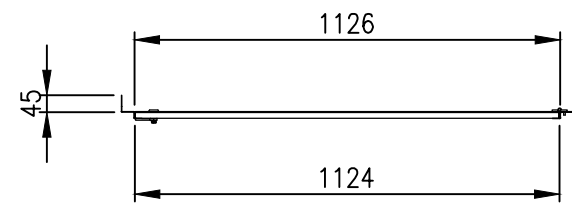
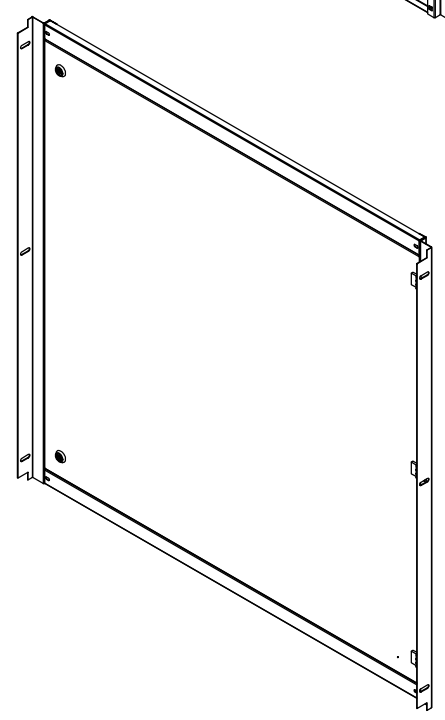
FRONT VIEW



RIGHT SIDE VIEW
VERTICAL FRAME



REAR VIEW



BOTTOM VIEW

MATERIAL
 FRAME: 1.2mm GALVANISED STEEL
 DOOR PANEL: 1.2mm GALVANISED STEEL

CLEARANCE/DISTANCE DIMENSIONS:
 -INNER DOOR TO OUTER DOOR: 68.3mm
 -INNER DOOR TO MOUNTING PLATE:
 -(ENCLOSURE WITH 300 DEPTH): 217.8mm
 -(ENCLOSURE WITH 400 DEPTH): 317.8mm

© IP ENCLOSURES 2022.
 THIS DRAWING SHALL NOT BE COPIED OR REPRODUCED
 WITHOUT AUTHORISATION FROM IP ENCLOSURES.
 www.ipenclosures.com.au

Itemref	Quantity	Title/Name, designation, material, dimension etc	Article No./Reference
IP	1	1200Hx1200W STEEL INNER DOOR	IP-PSID120120
Designed by	Checked by	Approved by - date	Filename
IP	IP	08/07/22	IP-PSID120120
Date	Scale	Edition	
08/07/22	1:20	0	
Sheet			1/1