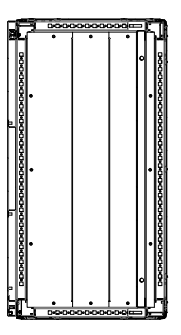
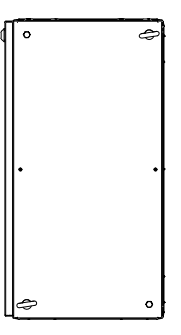


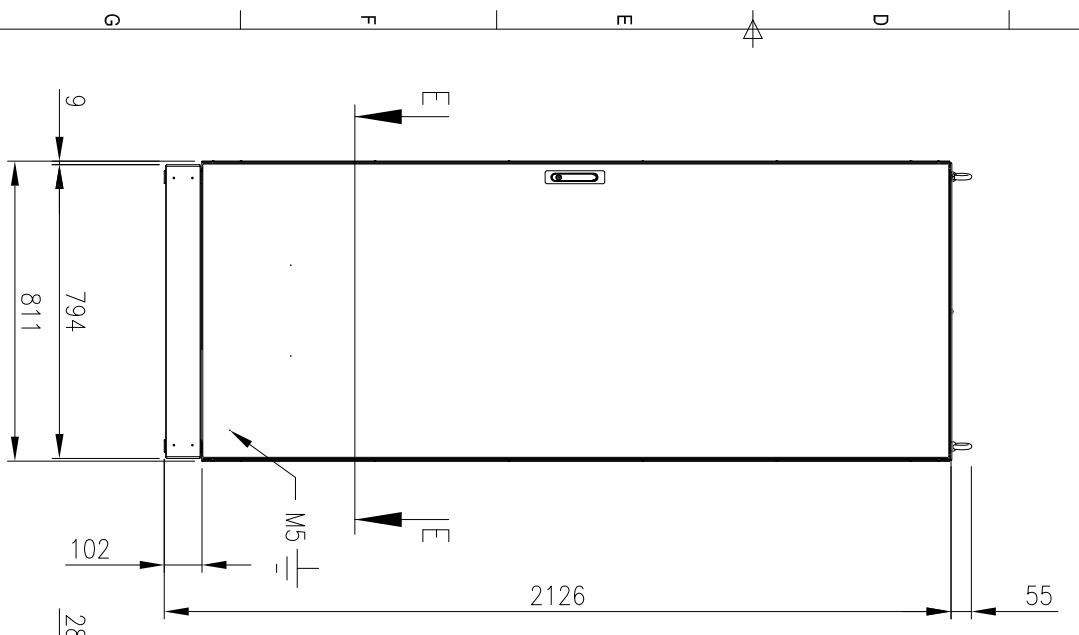
RevNo	Revision note	Date	Signature	Checked
1	GENERAL REVISION	9/7/19	IP	IP



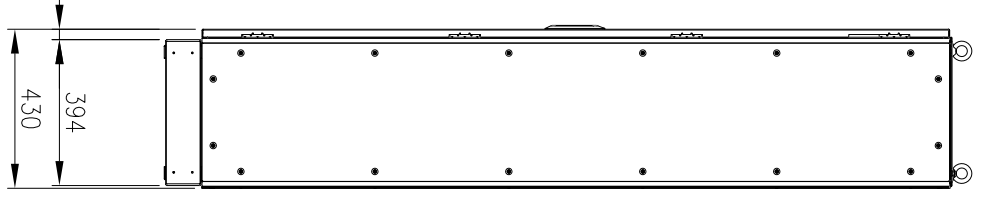
SECTION E-E



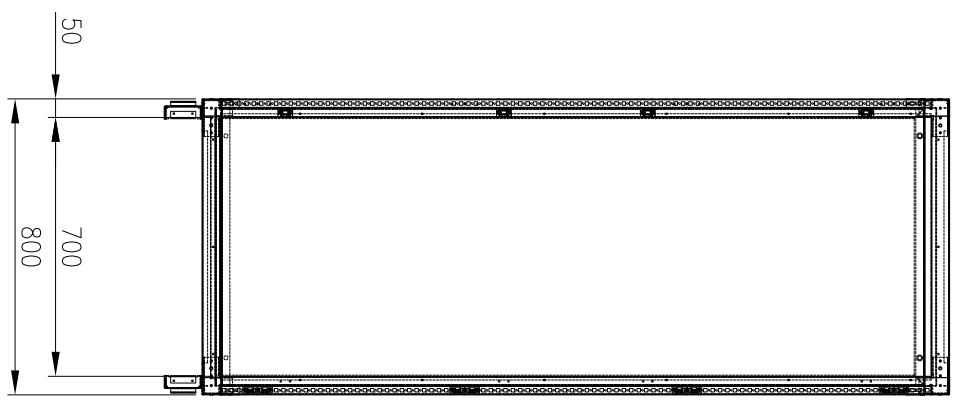
TOP VIEW



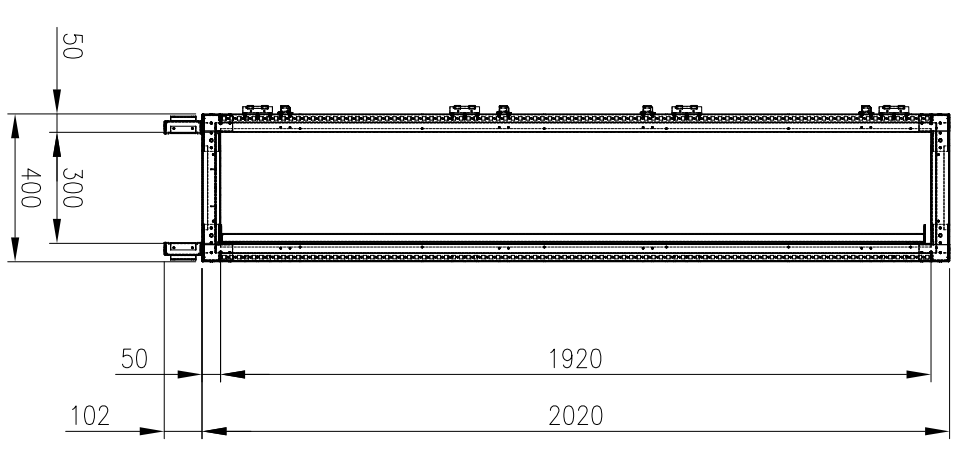
FRONT VIEW  
(ASSEMBLY)



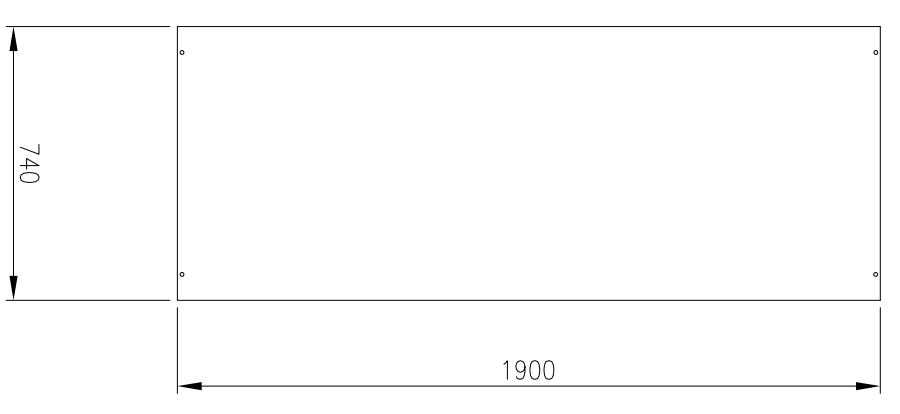
SIDE VIEW



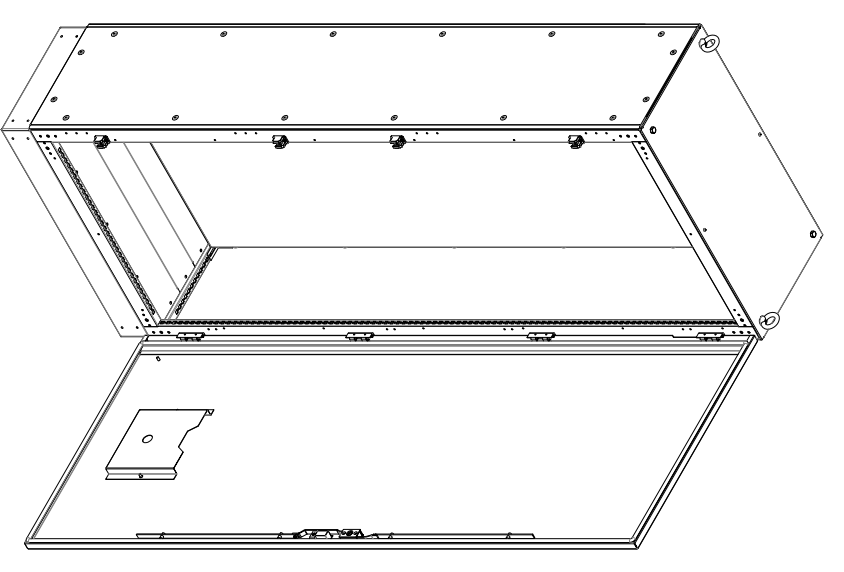
FRONT VIEW  
(PANELS REMOVED)



SIDE VIEW  
(PANELS REMOVED)



DEVICE MOUNTING PLATE



**MATERIAL**  
 MAIN FRAME: 2.0mm 316 STAINLESS STEEL PROFILE  
 PANELS: 1.2mm 316 STAINLESS STEEL  
 DOOR: 2.0mm 316 STAINLESS STEEL  
 MOUNTING PLATE: 2.0mm 316 STAINLESS STEEL  
 SEAL: EPDM

**PROTECTION:** IP55 IK10  
**STANDARD:** IEC62208, IEC/EN/AS60529

**ORDERING INFORMATION:**  
 - ENCLOSURE: IP-MFSS2028040  
 - SIDE PANEL: IP-MFSSP20240  
 - MOUNTING PLATE: IP-MFSSM20280  
 - BASE: IP-MFSSB8040

© IP ENCLOSURES 2017.  
 THIS DRAWING SHALL NOT BE COPIED OR REPRODUCED  
 WITHOUT AUTHORISATION FROM IP ENCLOSURES.  
 www.ipenclosures.com.au

Item#	Quantity	PartName, designation, material, dimension etc.	Article No./Reference	Scale
IP	1	Enclosures	IP-MFSS2028040	1:20
2020x800x400 316SS FREESTANDING IP-MFSS2028040				1/1