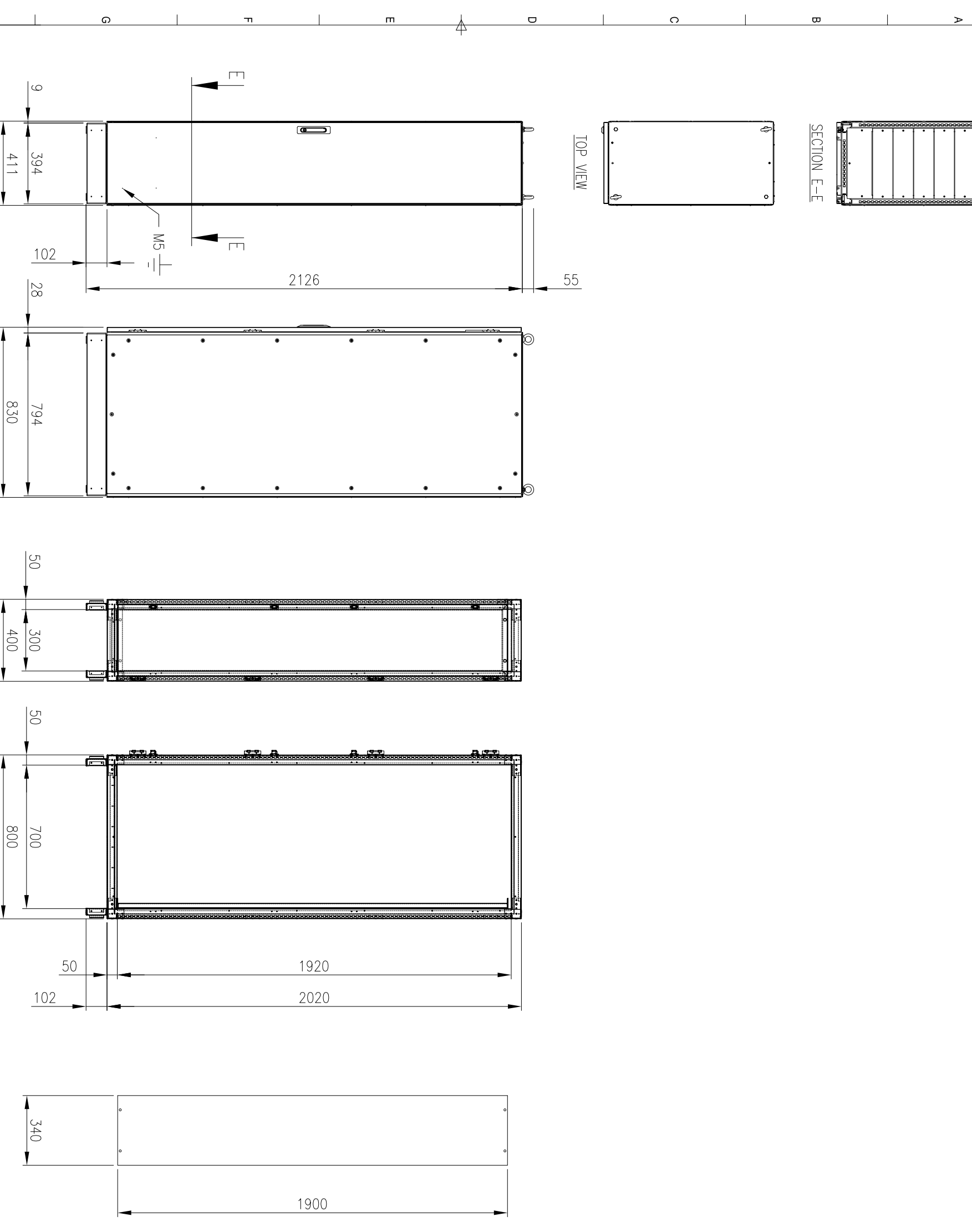
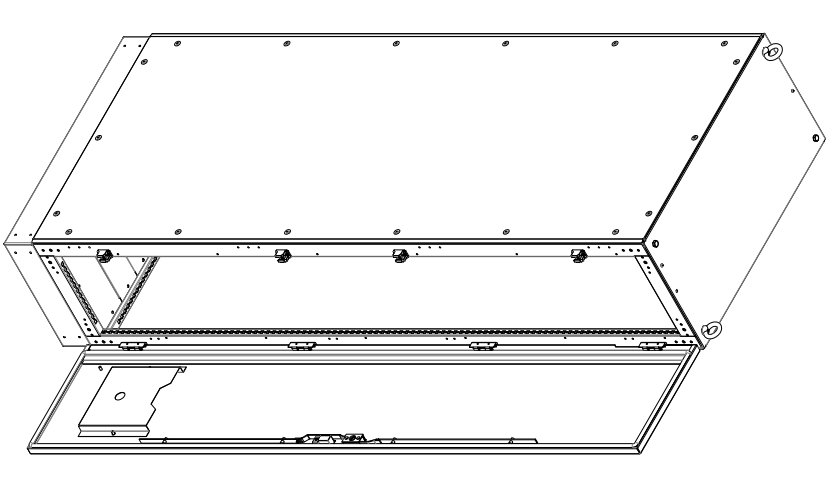


RevNo	Revision note	Date	Signature	Checked
1	GENERAL REVISION	9/7/19	IP	IP



MATERIAL

MAIN FRAME: 2.0mm 316 STAINLESS STEEL PROFILE

PANELS: 1.2mm 316 STAINLESS STEEL

DOOR: 2.0mm 316 STAINLESS STEEL

MOUNTING PLATE: 2.0mm 316 STAINLESS STEEL

SEAL: EPDM

PROTECTION: IP55 IK10

STANDARD: IEC62208, IEC/EN/AS60529

ORDERING INFORMATION:

- ENCLOSURE: IP-MFSS2024080
- SIDE PANEL: IP-MFSSP20280
- MOUNTING PLATE: IP-MFSSM20240
- BASE: IP-MFSSB4080

© IP ENCLOSURES 2017.
THIS DRAWING SHALL NOT BE COPIED OR REPRODUCED
WITHOUT AUTHORISATION FROM IP ENCLOSURES.
www.ipenclosures.com.au

Item#	Quantity	TradeName, designation, material, dimension etc.	Article No./Reference	Scale
IP				1:20
Designed by	Checked by	Approved by - date	Filename	Date
IP	IP	22/11/17		22/11/17
2020X400X800 316SS FREESTANDING				1/1
IP-MFSS2024080				1/1

