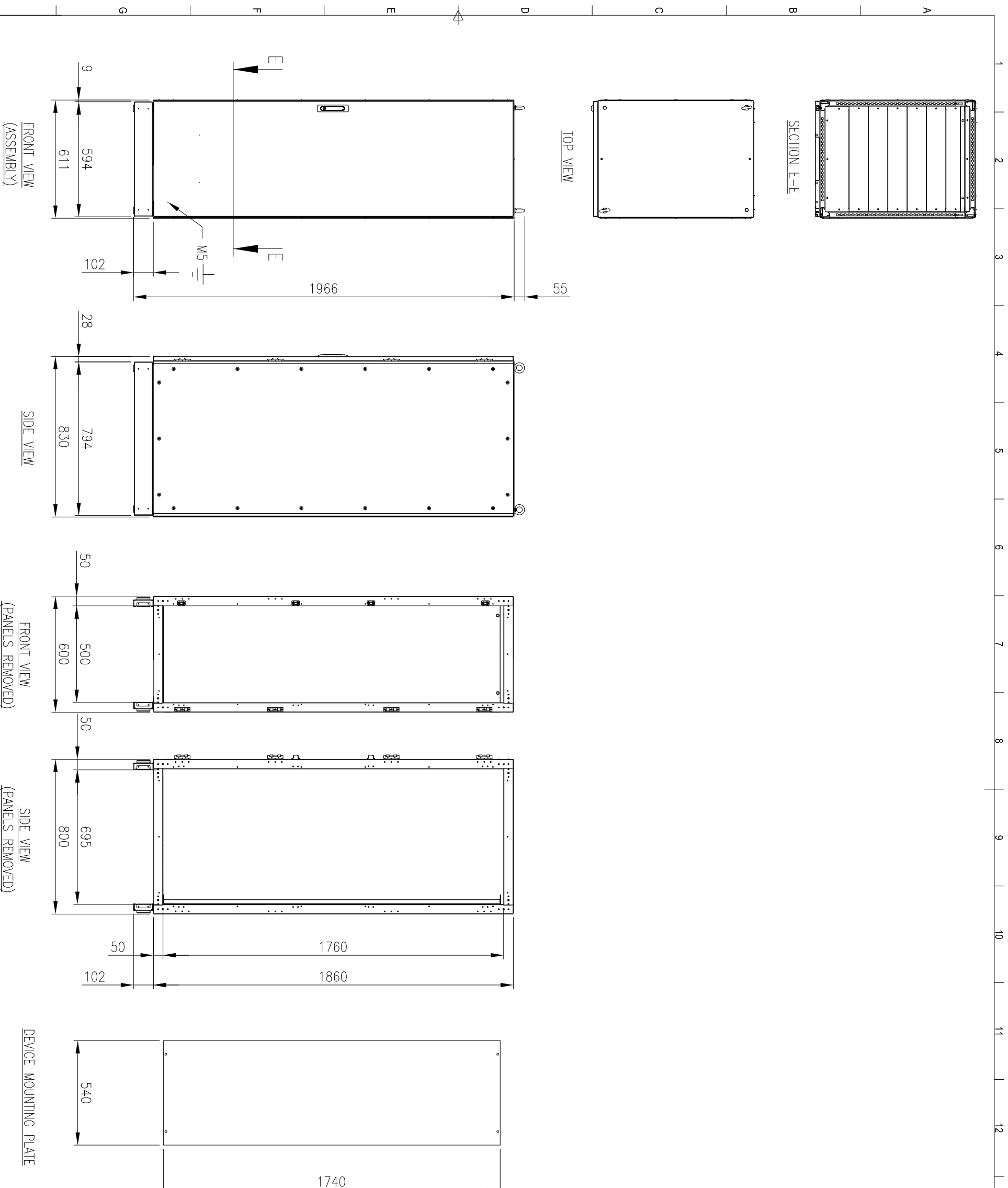
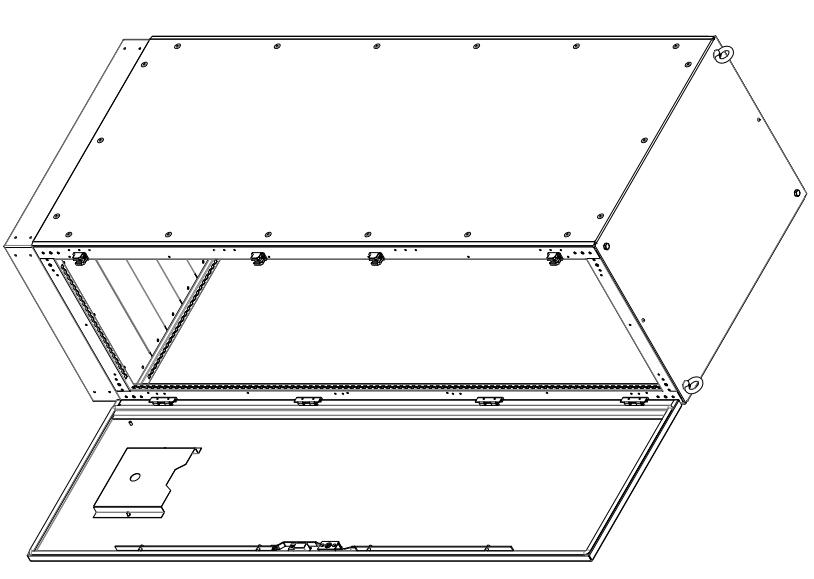


RevNo	Revision note	Date	Signature	Checked
1	GENERAL REVISION	9/7/19	IP	IP



MATERIAL
 MAIN FRAME: 2.0mm 316 STAINLESS STEEL PROFILE
 PANELS: 1.2mm 316 STAINLESS STEEL
 DOOR: 2.0mm 316 STAINLESS STEEL
 MOUNTING PLATE: 2.0mm 316 STAINLESS STEEL
 SEAL: EPDM

PROTECTION: IP55 IK10
 STANDARD: IEC62208, IEC/EN/AS60529

ORDERING INFORMATION:
 – ENCLOSURE: IP-MFSS1866080
 – SIDE PANEL: IP-MFSSP186680
 – MOUNTING PLATE: IP-MFSSM186660
 – BASE: IP-MFSSB6080

© IP ENCLOSURES 2017.
 THIS DRAWING SHALL NOT BE COPIED OR REPRODUCED
 WITHOUT AUTHORISATION FROM IP ENCLOSURES.
 www.ipenclosures.com.au

Item#	Quantity	PartName, designation, material, dimension etc.	Article No./Reference	Scale
IP		Checked by: IP	22/11/17	1:20
IP		Approved by: -date	22/11/17	
		Filename	1860x600x800 316SS FREESTANDING	
		Date	22/11/17	
		1860x600x800 316SS FREESTANDING		
		IP-MFSS1866080		
		IP-MFSS1866080		
		1		
		1/1		