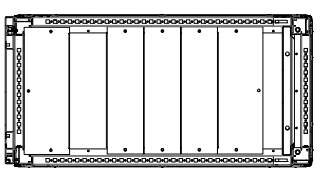
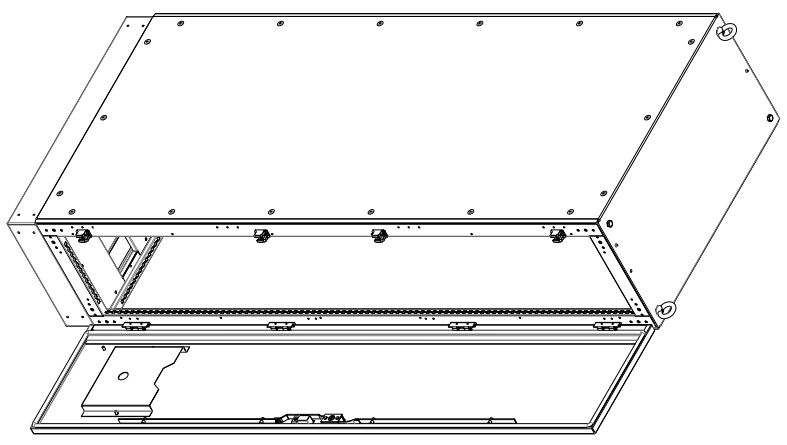
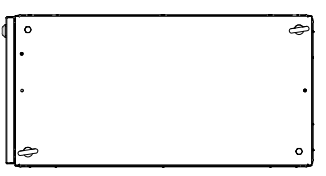


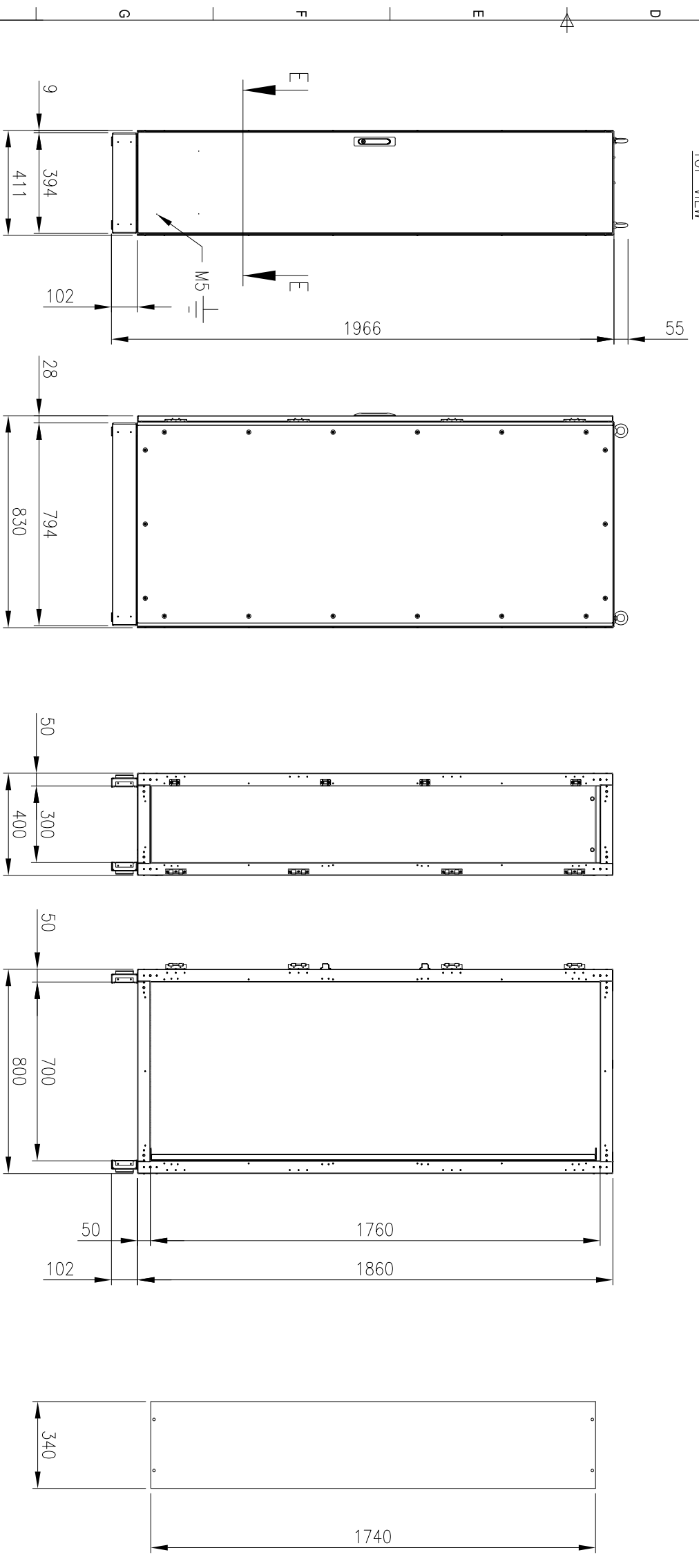
RevNo	Revision note	Date	Signature	Checked
1	GENERAL REVISION	9/7/19	IP	IP



SECTION E-E



TOP VIEW



MATERIAL
 MAIN FRAME: 2.0mm 316 STAINLESS STEEL PROFILE
 PANELS: 1.2mm 316 STAINLESS STEEL
 DOOR: 2.0mm 316 STAINLESS STEEL
 MOUNTING PLATE: 2.0mm 316 STAINLESS STEEL
 SEAL: EPDM

PROTECTION: IP55 IK10
 STANDARD: IEC62208, IEC/EN/AS60529

ORDERING INFORMATION:
 - ENCLOSURE: IP-MFSS1864080
 - SIDE PANEL: IP-MFSSP18680
 - MOUNTING PLATE: IP-MFSSM18640
 - BASE: IP-MFSSB4080

© IP ENCLOSURES 2017.
 THIS DRAWING SHALL NOT BE COPIED OR REPRODUCED
 WITHOUT AUTHORISATION FROM IP ENCLOSURES.
 www.ipenclosures.com.au

Item#	Quantity	PartName, designation, material, dimension etc.	Article No./Reference	Scale
IP		Designed by	22/11/17	1:20
IP		Checked by	22/11/17	
		Approved by - date		
		Filename		
		Date		
		1860x400x800 316SS FREESTANDING		
		IP-MFSS1864080		
		1		
		1/1		



H 1 2 3 4 5 6 7 8 9 10 11 12 13 14 15 16