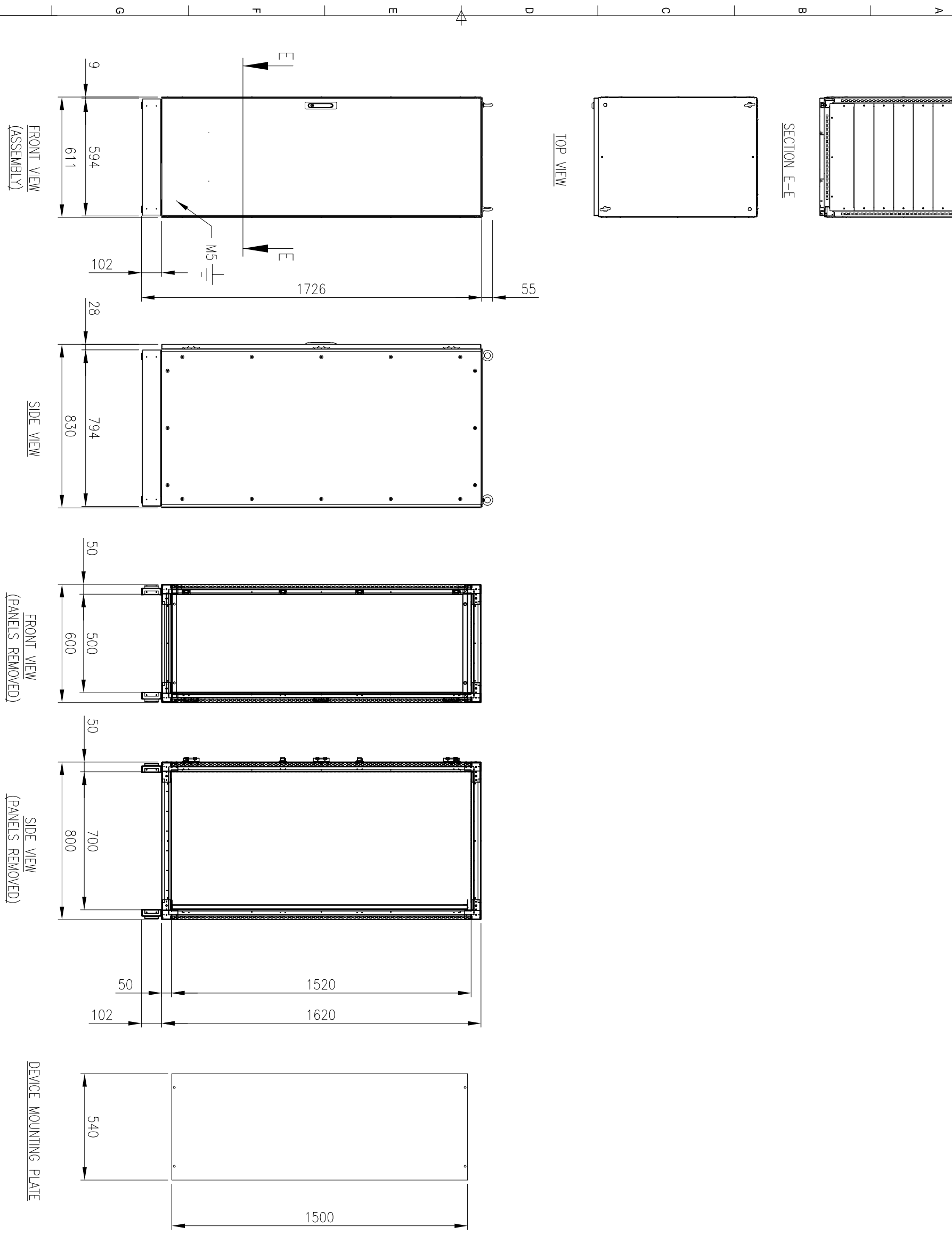
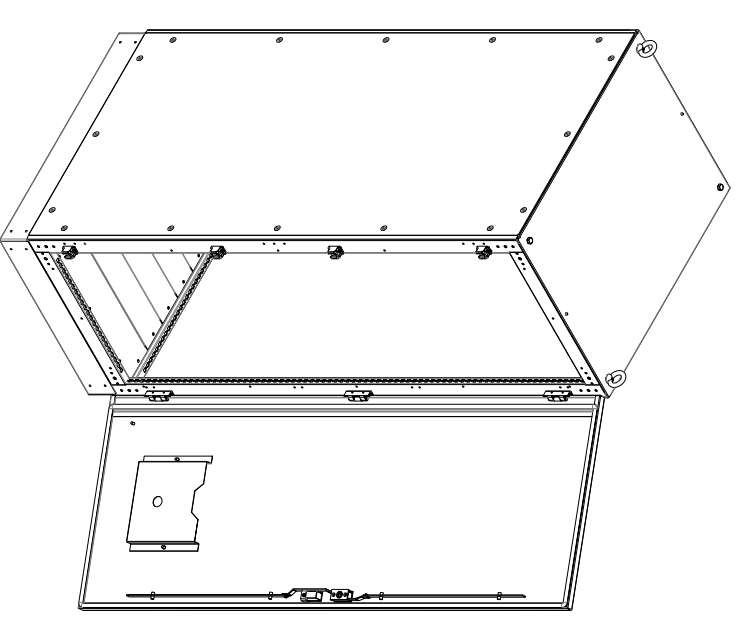


RevNo	Revision note	Date	Signature	Checked
1	GENERAL REVISION	9/7/19	IP	IP



MATERIAL
 MAIN FRAME: 2.0mm 316 STAINLESS STEEL PROFILE
 PANELS: 1.2mm 316 STAINLESS STEEL
 DOOR: 2.0mm 316 STAINLESS STEEL
 MOUNTING PLATE: 2.0mm 316 STAINLESS STEEL
 SEAL: EPDM

PROTECTION: IP55 IK10
 STANDARD: IEC62208, IEC/EN/AS60529

ORDERING INFORMATION:
 – ENCLOSURE: IP-MFSS1626080
 – SIDE PANEL: IP-MFSSP16280
 – MOUNTING PLATE: IP-MFSSM16260
 – BASE: IP-MFSSB6080

Item#	Quantity	TradeName, designation, material, dimension etc.	Article No./Reference	Scale
IP	1	IP Enclosures	1620x600x800 316SS FREESTANDING	1:20
IP	1	IP Enclosures	IP-MFSS1626080	1/1"

© IP ENCLOSURES 2017.
 THIS DRAWING SHALL NOT BE COPIED OR REPRODUCED
 WITHOUT AUTHORISATION FROM IP ENCLOSURES.
 www.ipenclosures.com.au