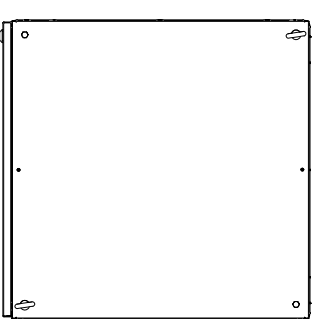
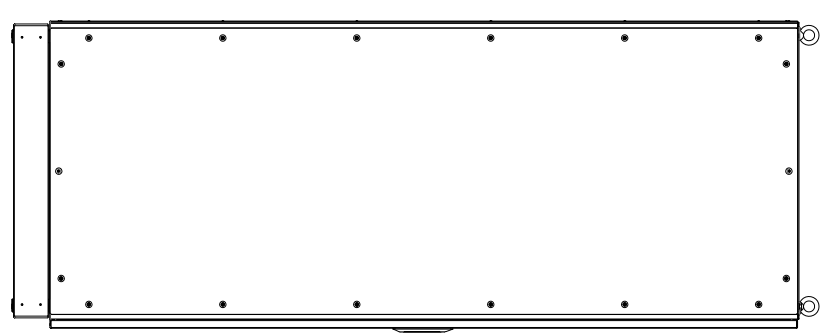
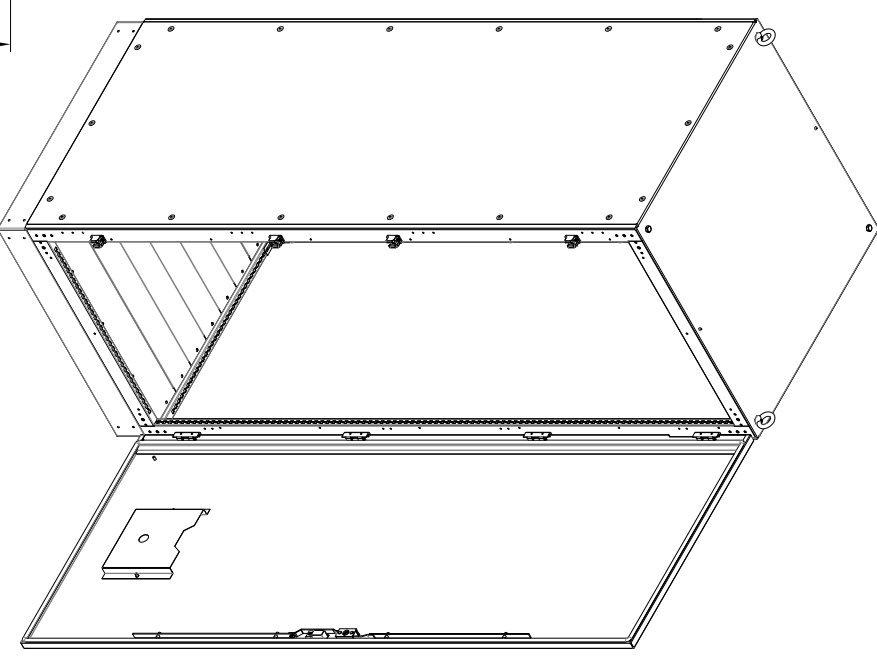


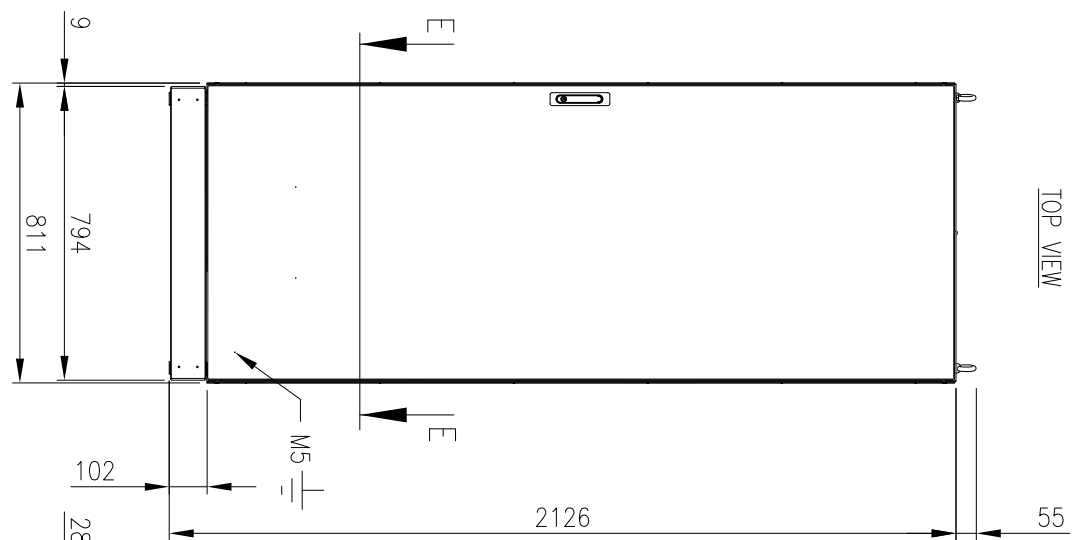
SECTION E-E



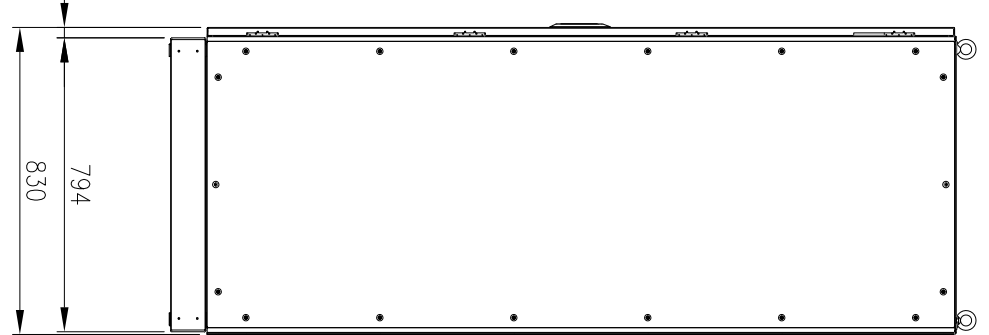
TOP VIEW



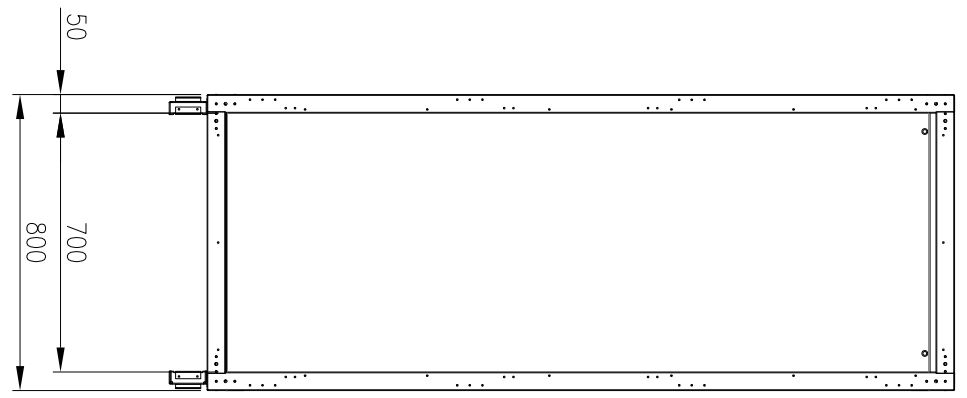
SIDE VIEW



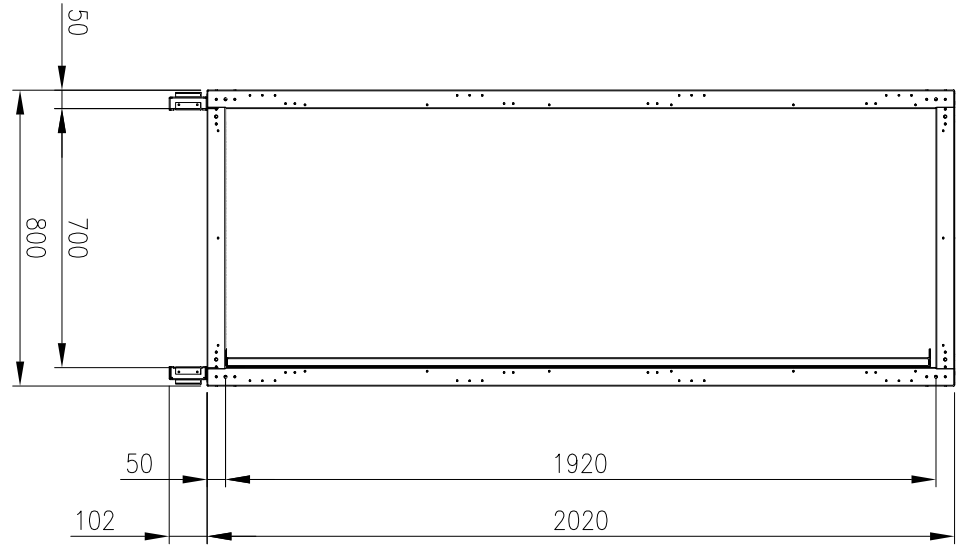
FRONT VIEW
(ASSEMBLY)



SIDE VIEW



FRONT VIEW
(PANELS REMOVED)



SIDE VIEW
(PANELS REMOVED)

MATERIAL
 MAIN FRAME: 2.0mm GALVANISED STEEL PROFILE
 PANELS: 1.2mm POWDERCOATED GALVANISED SHEET
 DOOR: 2.0mm POWDERCOATED GALVANISED STEEL
 MOUNTING PLATE: 2.0mm GALVANISED STEEL SHEET
 SEAL: EPDM
 SURFACE TREATMENT: POWDER-COAT 80-120micron
 STANDARD COLOUR: RAL7035

PROTECTION: IP55 IK10
 STANDARD: IEC/EN/AS62208, IEC/EN/AS60529

ORDERING INFORMATION:
 - ENCLOSURE: IP-MFS2028080
 - SIDE PANEL: IP-MFSP20280
 - MOUNTING PLATE: IP-MFSM20280
 - BASE: IP-MFSB8080

© IP ENCLOSURES 2017.
 THIS DRAWING SHALL NOT BE COPIED OR REPRODUCED
 WITHOUT AUTHORISATION FROM IP ENCLOSURES.
 www.ipenclosures.com.au

Item#	Quantity	TradeName, designation, material, dimension etc.	Article No/Reference
IP	1	2020x800x800 STEEL FREESTANDING	IP-MFS2028080

