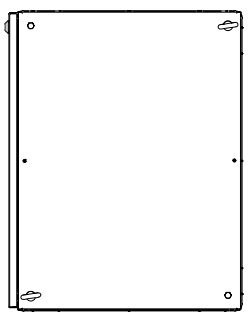
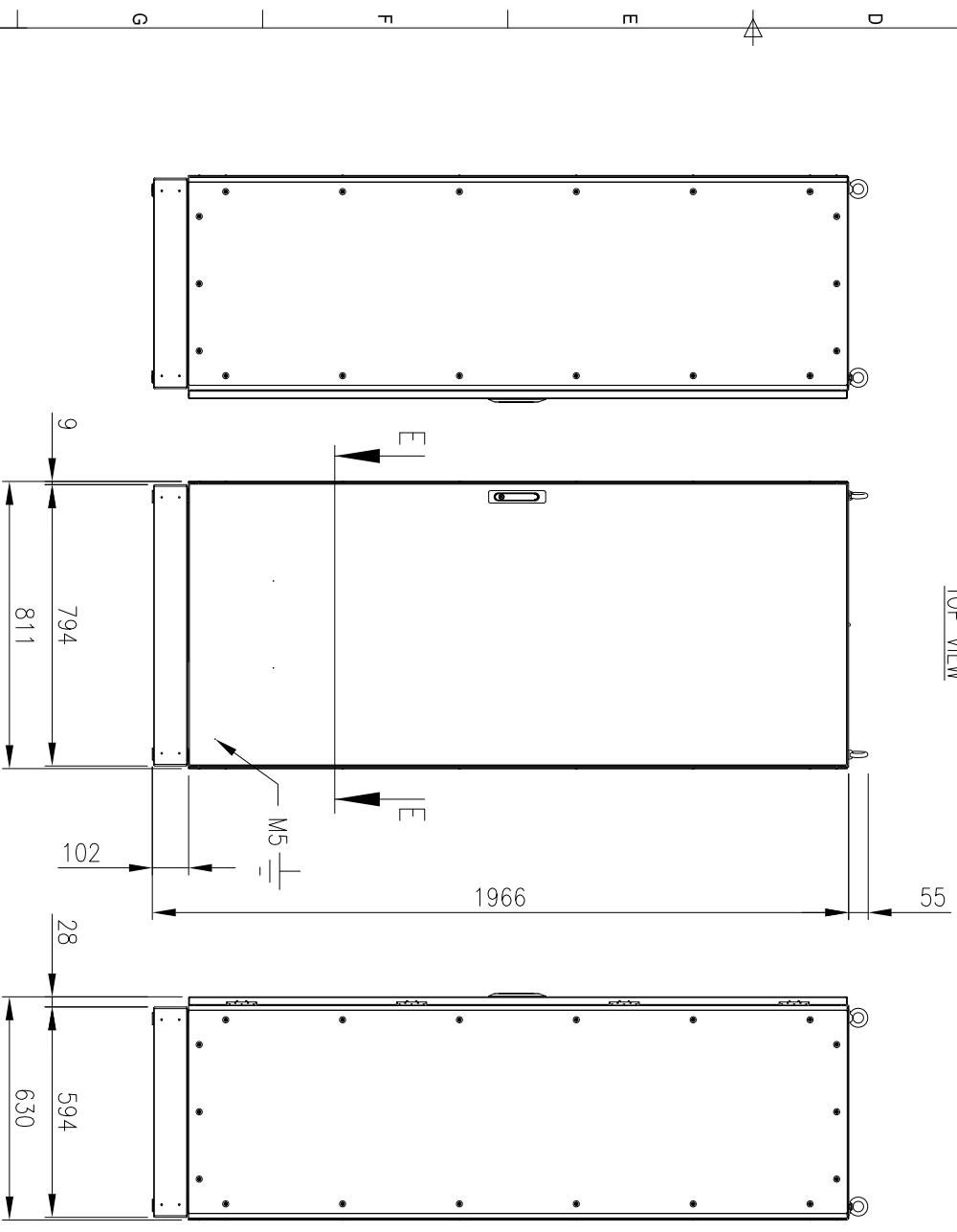
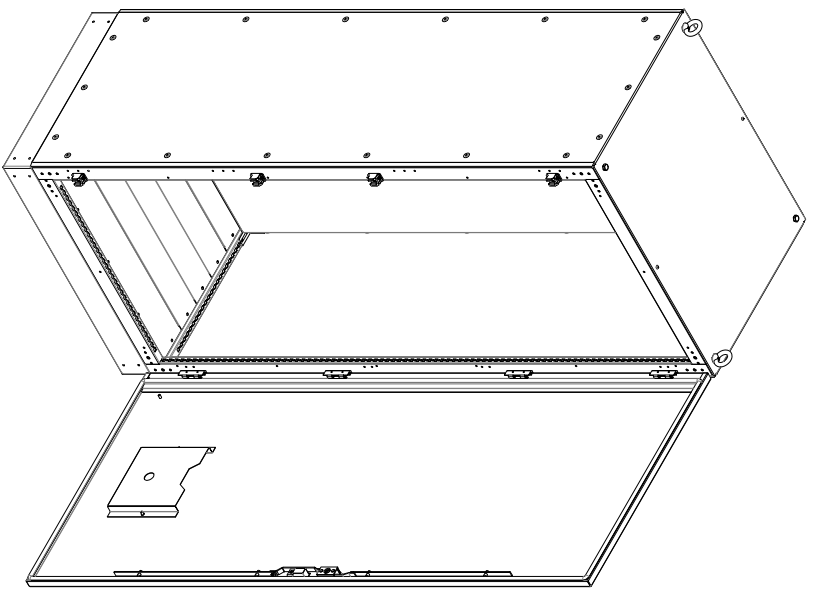


SECTION E-E



TOP VIEW



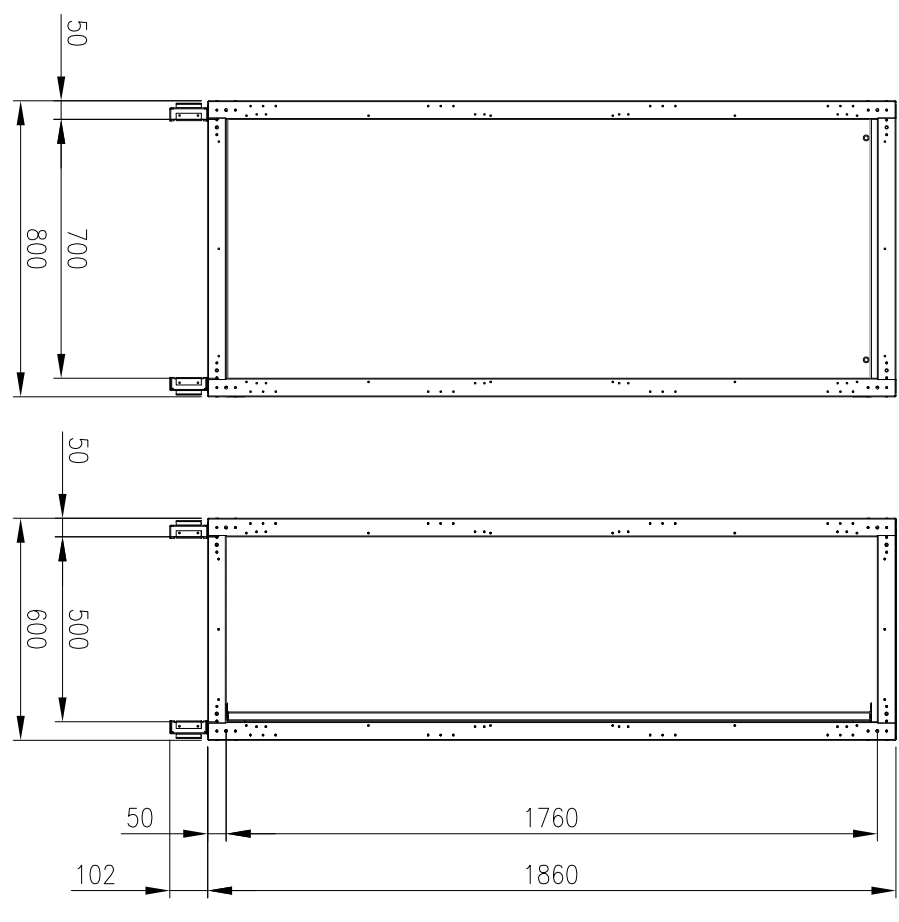
FRONT VIEW  
(ASSEMBLY)

SIDE VIEW

SIDE VIEW

FRONT VIEW  
(PANELS REMOVED)

SIDE VIEW  
(PANELS REMOVED)



FRONT VIEW  
(PANELS REMOVED)

SIDE VIEW  
(PANELS REMOVED)

**MATERIAL**  
 MAIN FRAME: 2.0mm GALVANISED STEEL PROFILE  
 PANELS: 1.2mm POWDERCOATED GALVANISED SHEET  
 DOOR: 2.0mm POWDERCOATED GALVANISED STEEL  
 MOUNTING PLATE: 2.0mm GALVANISED STEEL SHEET  
 SEAL: EPDM  
 SURFACE TREATMENT: POWDER-COAT 80-120micron  
 STANDARD COLOUR: RAL7035

**PROTECTION:** IP55 IK10  
**STANDARD:** IEC/EN/AS62208, IEC/EN/AS60529

**ORDERING INFORMATION:**  
 - ENCLOSURE: IP-MFS1868060  
 - SIDE PANEL: IP-MFSP18660  
 - MOUNTING PLATE: IP-MFSM18680  
 - BASE: IP-MFSB8060

© IP ENCLOSURES 2017.  
 THIS DRAWING SHALL NOT BE COPIED OR REPRODUCED  
 WITHOUT AUTHORISATION FROM IP ENCLOSURES.  
 www.ipenclosures.com.au

Item	Quantity	Thickness, designation, material, dimension etc.	Article No./Reference	Scale
IP Enclosures				1:20
				1/1