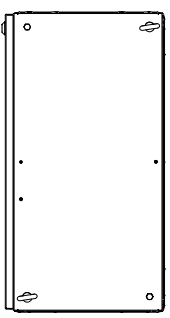
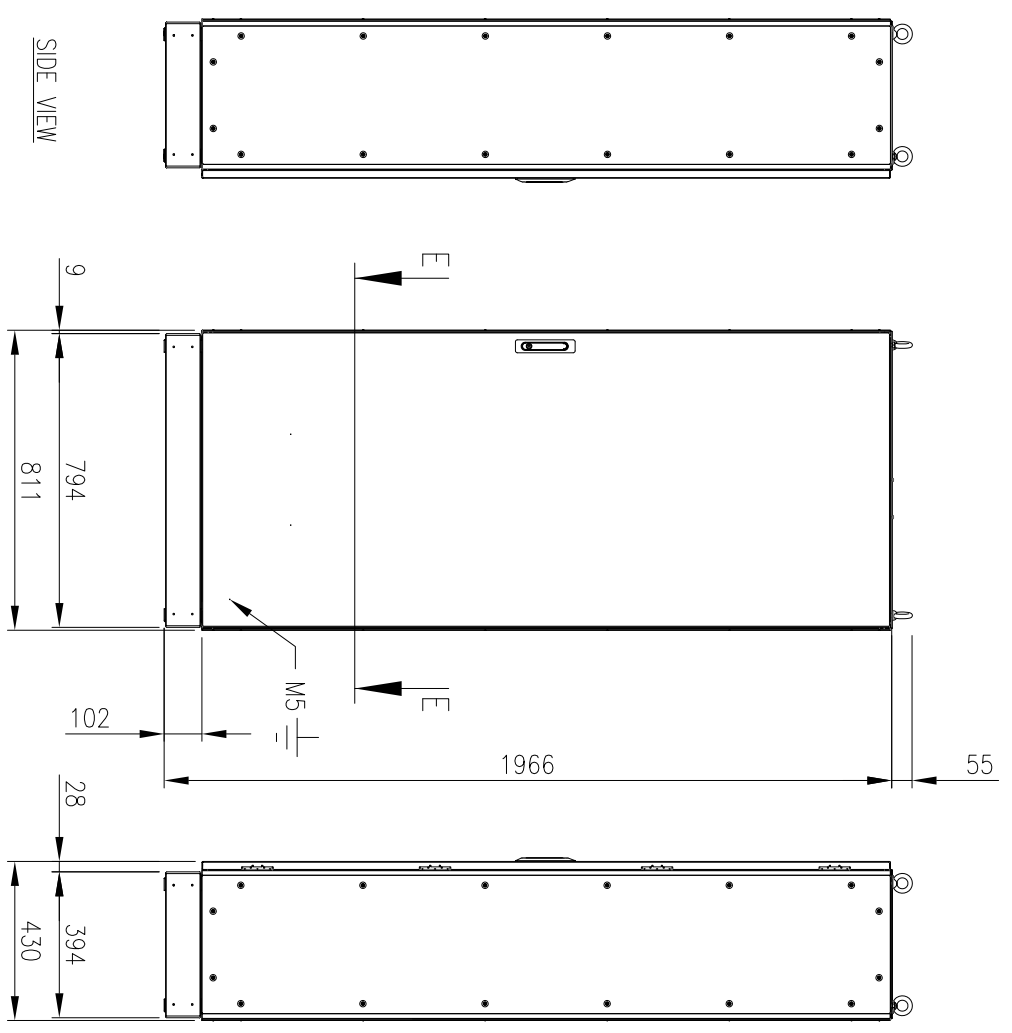


SECTION E-E

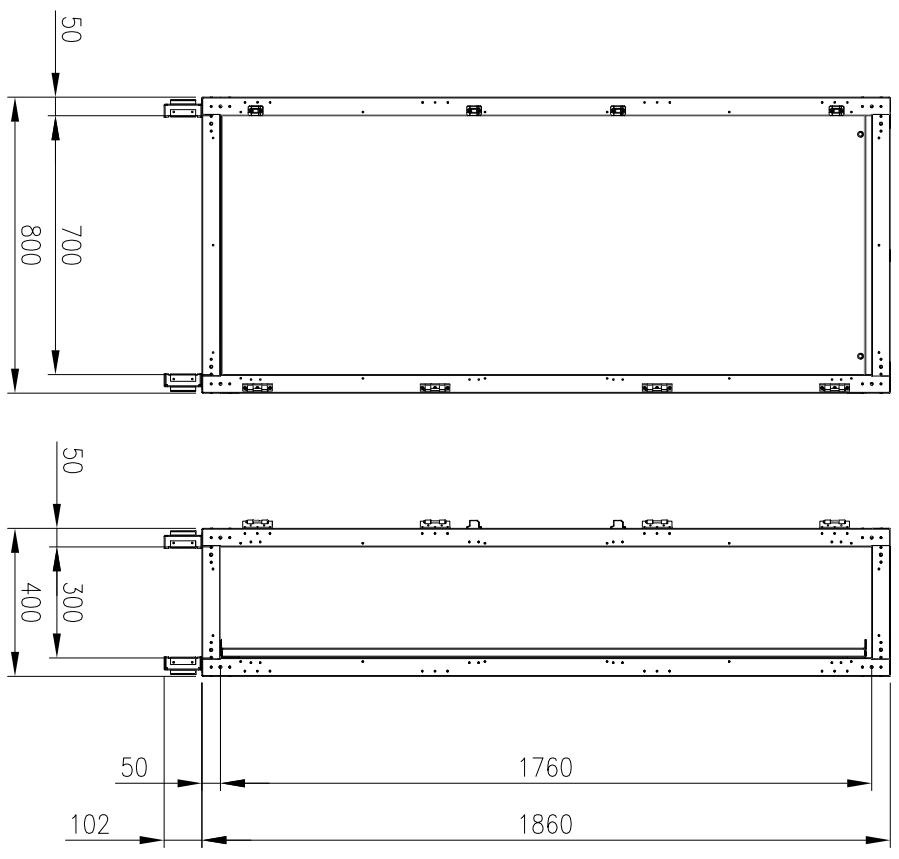


TOP VIEW



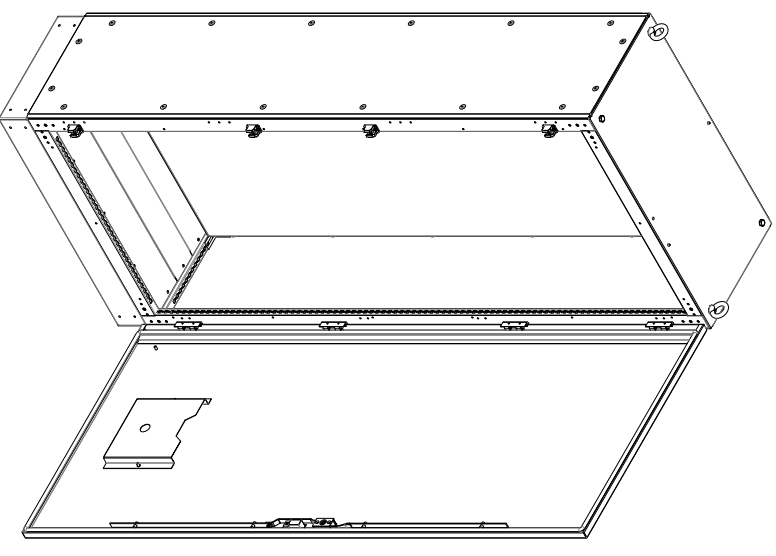
FRONT VIEW
(ASSEMBLY)

SIDE VIEW



FRONT VIEW
(PANELS REMOVED)

SIDE VIEW
(PANELS REMOVED)



MATERIAL
 MAIN FRAME: 2.0mm GALVANISED STEEL PROFILE
 PANELS: 1.2mm POWDERCOATED GALVANISED SHEET
 DOOR: 2.0mm POWDERCOATED GALVANISED STEEL
 MOUNTING PLATE: 2.0mm GALVANISED STEEL SHEET
 SEAL: EPDM
 SURFACE TREATMENT: POWDER-COAT 80-120micron
 STANDARD COLOUR: RAL7035

PROTECTION: IP55 IK10
 STANDARD: IEC/EN/AS62208, IEC/EN/AS60529

ORDERING INFORMATION:
 - ENCLOSURE: IP-MFS1868040
 - SIDE PANEL: IP-MFSP18640
 - MOUNTING PLATE: IP-MFSM18680
 - BASE: IP-MFSB8040

© IP ENCLOSURES 2017.
 THIS DRAWING SHALL NOT BE COPIED OR REPRODUCED
 WITHOUT AUTHORISATION FROM IP ENCLOSURES.
 www.ipenclosures.com.au

Item#	Quantity	TradeName, designation, material, dimension etc.	Article No./Reference	Scale
IP	1	1860x800x400 STEEL FREESTANDING	IP-MFS1868040	1:20
IP	1	IP-MFS1868040	IP-MFS1868040	1/1

