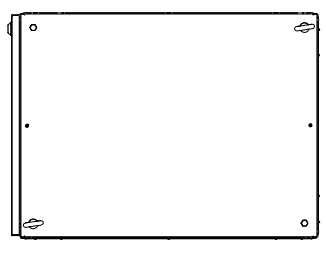
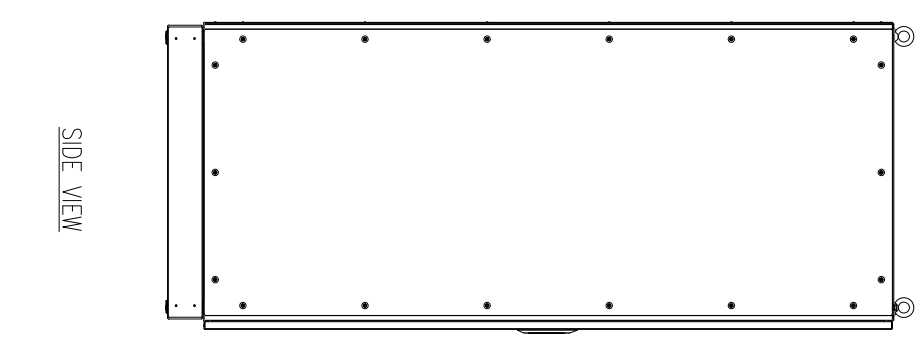


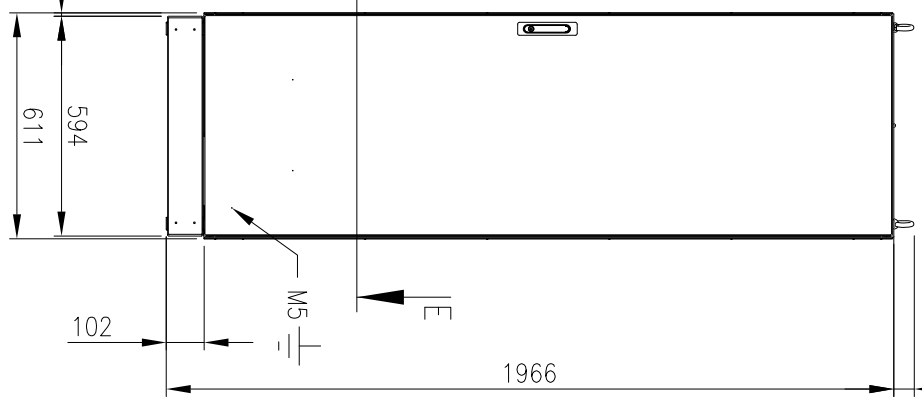
SECTION E-E



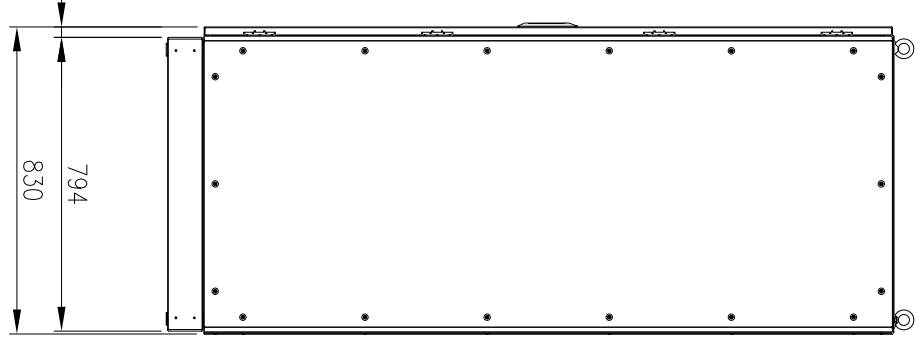
TOP VIEW



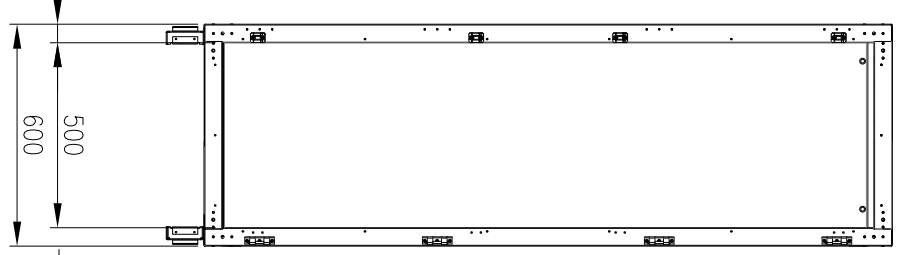
SIDE VIEW



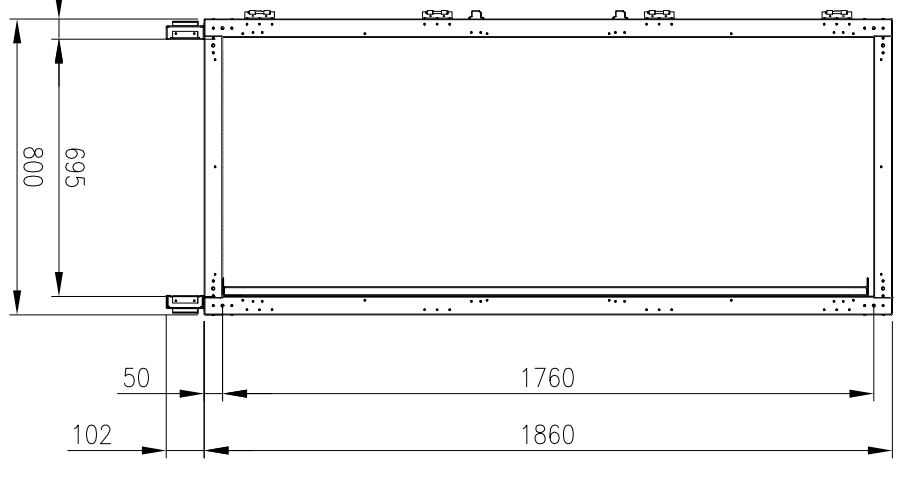
FRONT VIEW  
(ASSEMBLY)



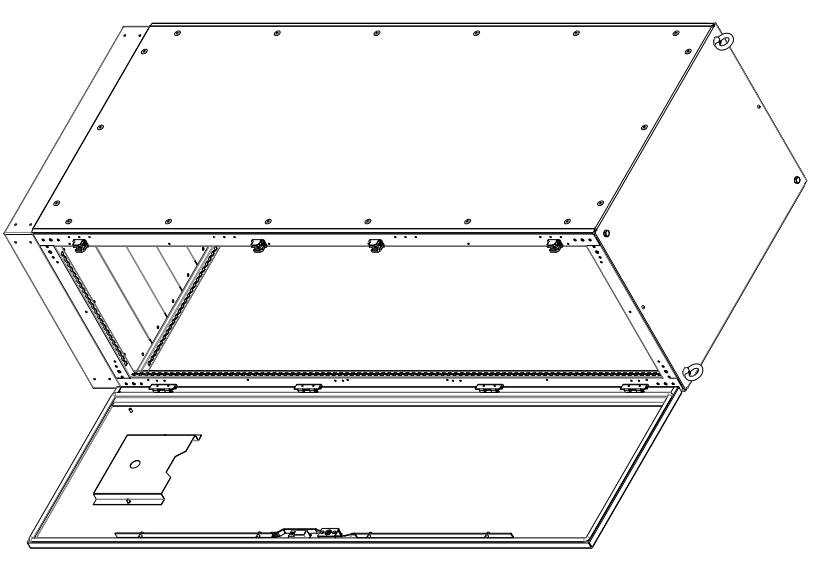
SIDE VIEW



FRONT VIEW  
(PANELS REMOVED)



SIDE VIEW  
(PANELS REMOVED)



**MATERIAL**  
 MAIN FRAME: 2.0mm GALVANISED STEEL PROFILE  
 PANELS: 1.2mm POWDERCOATED GALVANISED SHEET  
 DOOR: 2.0mm POWDERCOATED GALVANISED STEEL  
 MOUNTING PLATE: 2.0mm GALVANISED STEEL SHEET  
 SEAL: EPDM  
 SURFACE TREATMENT: POWDER-COAT 80-120micron  
 STANDARD COLOUR: RAL7035

**PROTECTION: IP55 IK10**  
 STANDARD: IEC/EN/AS62208, IEC/EN/AS60529

**ORDERING INFORMATION:**  
 - ENCLOSURE: IP-MFS1866080  
 - SIDE PANEL: IP-MFSP18680  
 - MOUNTING PLATE: IP-MFSM18660  
 - BASE: IP-MFSB6080

© IP ENCLOSURES 2017.  
 THIS DRAWING SHALL NOT BE COPIED OR REPRODUCED  
 WITHOUT AUTHORISATION FROM IP ENCLOSURES.  
 www.ipenclosures.com.au

Item/rev	Quantity	TradeName, designation, material, dimension etc.	Article No./Reference	Scale
IP	1	1860x600x800 STEEL FREESTANDING	IP-MFS1866080	1:20
IP	1	IP-MFS1866080	IP-MFS1866080	1/1

