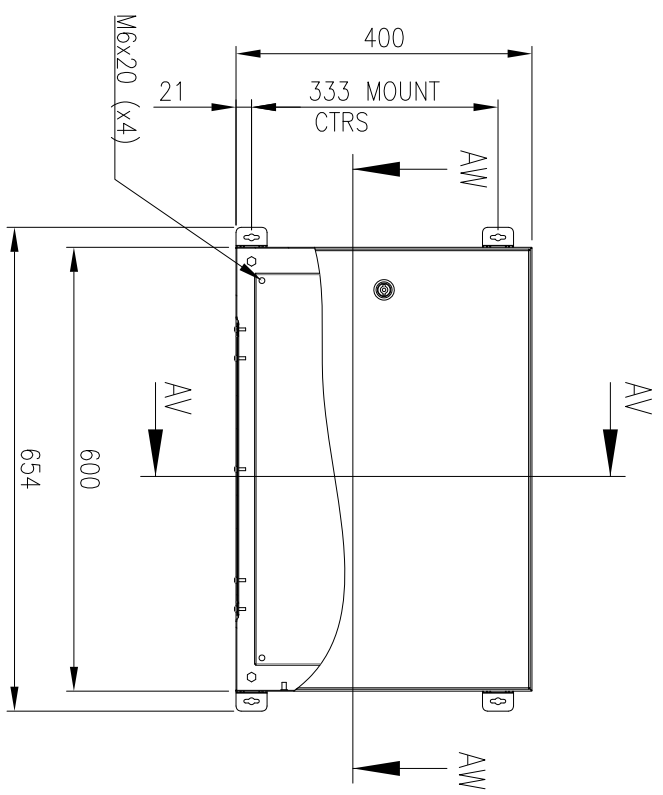
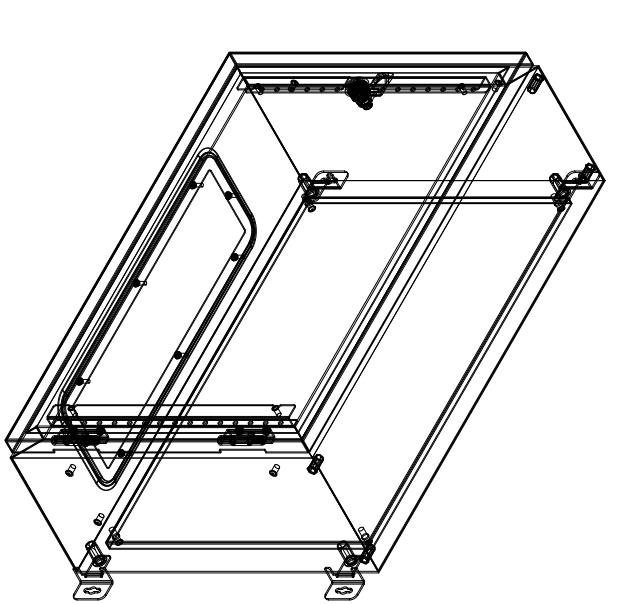
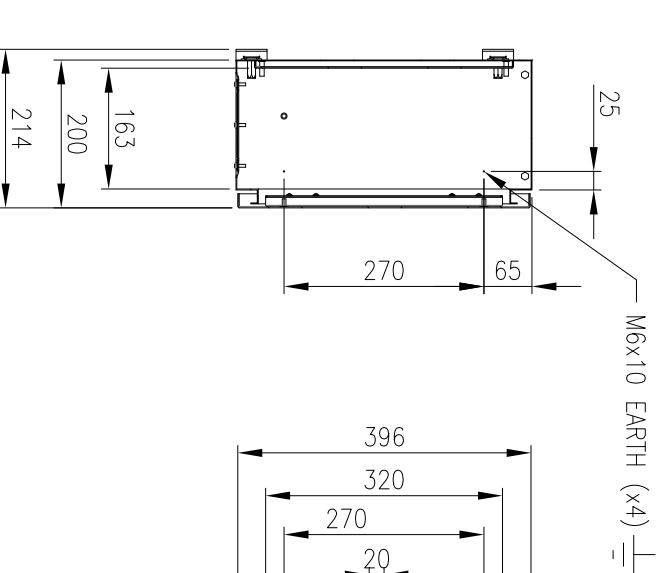


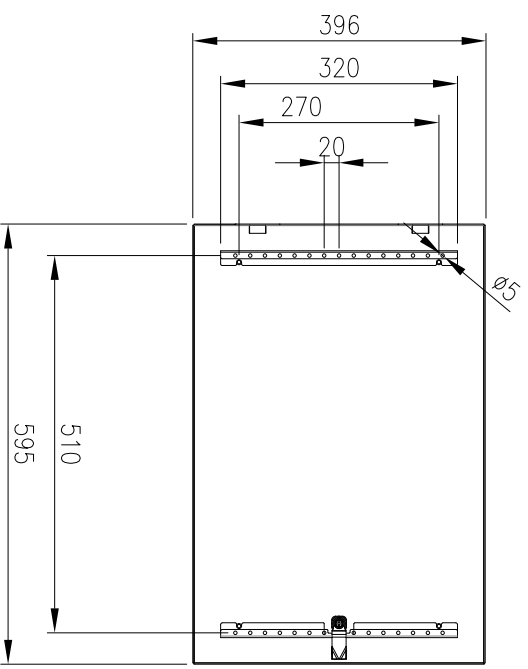
| RevNo | Revision note    | Date   | Signature | Checked |
|-------|------------------|--------|-----------|---------|
| 1     | GENERAL REVISION | 9/8/17 | IP        | IP      |



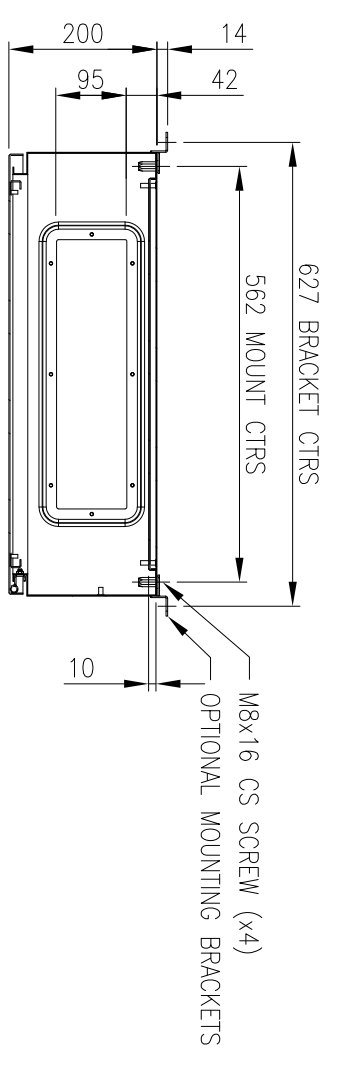
FRONT VIEW



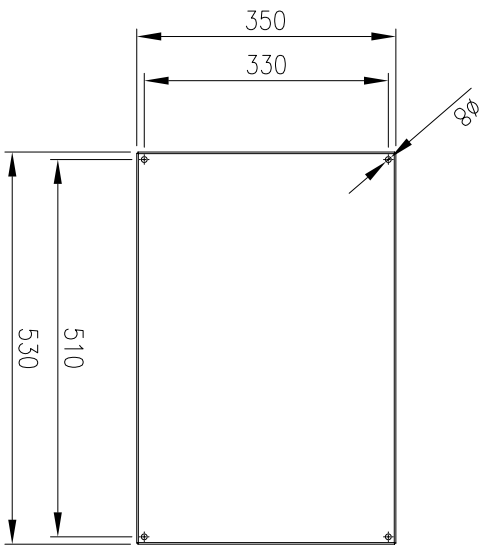
SECTION AV-AV



INSIDE DOOR VIEW



SECTION AW-AW



DEVICE MOUNTING PLATE

**MATERIAL**  
 BODY: 1.2mm GALVANISED STEEL SHEET  
 DOOR: 1.5mm GALVANISED STEEL SHEET  
 DEVICE PLATE: 1.5mm GALVANISED STEEL SHEET  
 SEAL: POLYURETHANE  
 SURFACE TREATMENT: POWDER-COAT 80-120micron  
 MASS: 14.0kg

PROTECTION: IP66 IK10, NEMA4  
 STANDARD: IEC/EN/AS62208, IEC/EN/AS60529

© IP ENCLOSURES 2016.  
 THIS DRAWING SHALL NOT BE COPIED OR REPRODUCED  
 WITHOUT AUTHORISATION FROM IP ENCLOSURES.  
 www.ipenclosures.com.au

| Item#                          | Quantity | TradeName, designation, material, dimension etc. | Article No./Reference  | Scale |
|--------------------------------|----------|--|------------------------|-------|
| IP                             |          | Designed by IP                                   | File name IP-400620-01 | 1:10  |
|                                |          | Checked by IP                                    | Date 05/06/17          |       |
|                                |          | Approved by -date 05/06/17                       |                        |       |
| 400HX600WX200D STEEL ENCLOSURE |          |  |                        |       |
| IP-L40620-01                   |          |  |                        | 1/1   |