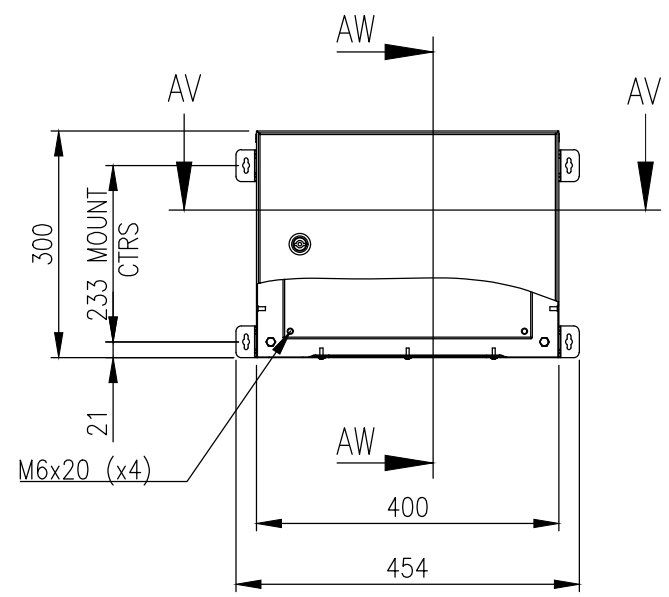
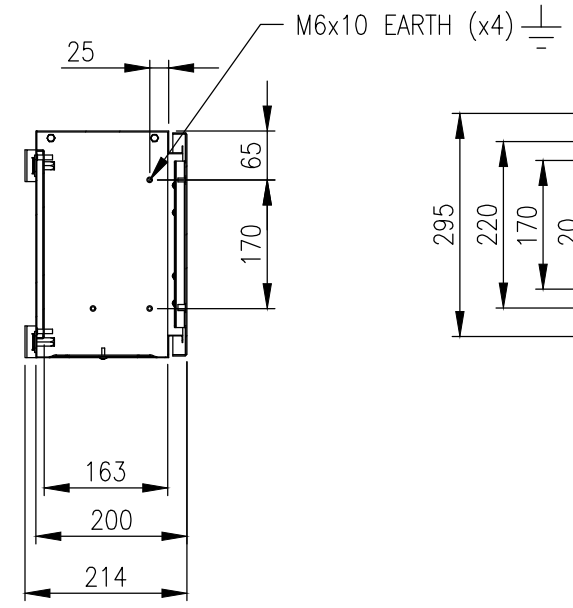


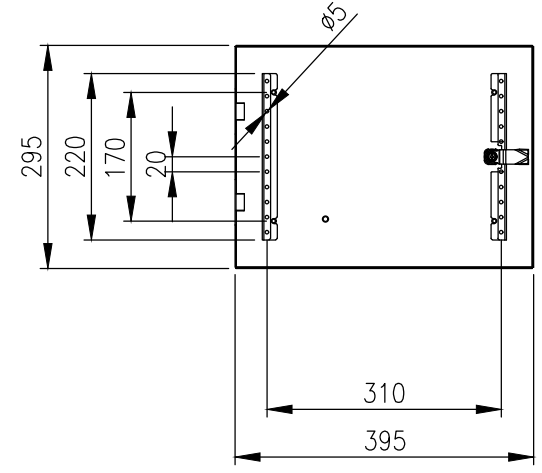
RevNo	Revision note	Date	Signature	Checked
3	GENERAL REVISION	30/01/25	IP	IP



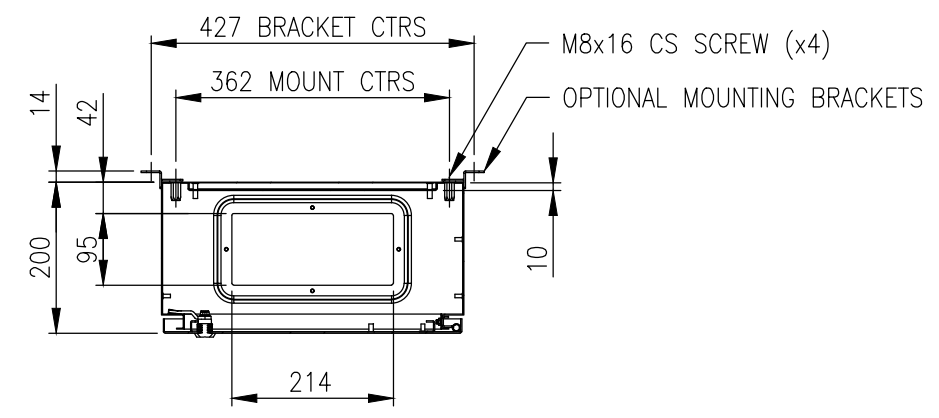
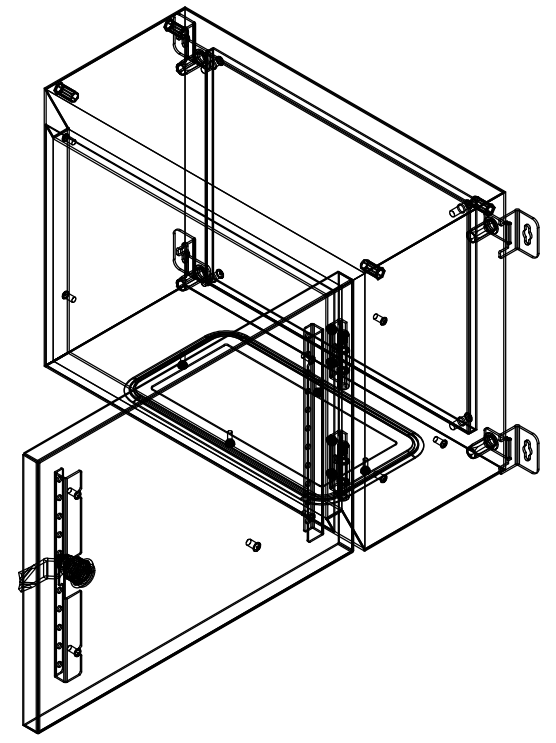
FRONT VIEW



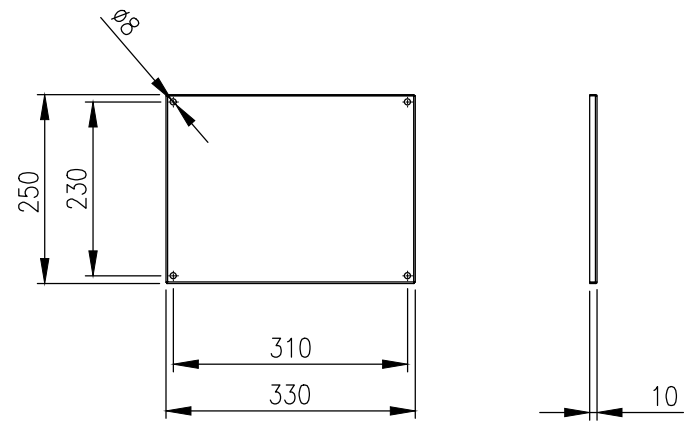
SECTION AW-AW



INSIDE DOOR VIEW



SECTION AV-AV



DEVICE MOUNTING PLATE

MATERIAL
 BODY: 1.2mm GALVANISED STEEL SHEET
 DOOR: 1.5mm GALVANISED STEEL SHEET
 DEVICE PLATE: 1.5mm GALVANISED STEEL SHEET
 GLAND PLATE: 1.5mm GALVANISED STEEL SHEET
 SEAL: POLYURETHANE
 SURFACE TREATMENT: POWDER-COAT 80-120micron
 COLOUR: RAL7035 LIGHT GREY

MASS: 7.4Kg.

PROTECTION: IP66 IK10 (NEMA 4)
 STANDARD: IEC/EN62208, IEC/EN/AS60529

© IP ENCLOSURES 2016.
 THIS DRAWING SHALL NOT BE COPIED OR REPRODUCED
 WITHOUT AUTHORISATION FROM IP ENCLOSURES.
 www.ipenclosures.com.au

IMPORTANT NOTE:
 WALL MOUNTING BRACKETS ARE NOT INCLUDED
 AND MUST BE ORDERED SEPARATELY.

Itemref	Quantity	Title/Name, designation, material, dimension etc	Article No./Reference
IP	1	300Hx400Wx200D STEEL ENCLOSURE	IP-L304020
Designed by	Checked by	Approved by - date	Filename
IP	IP	05/06/17	IP-L304020
Date	Scale	Edition	
05/06/17	1:10	3	
Sheet			1/1



300Hx400Wx200D STEEL ENCLOSURE
 IP-L304020