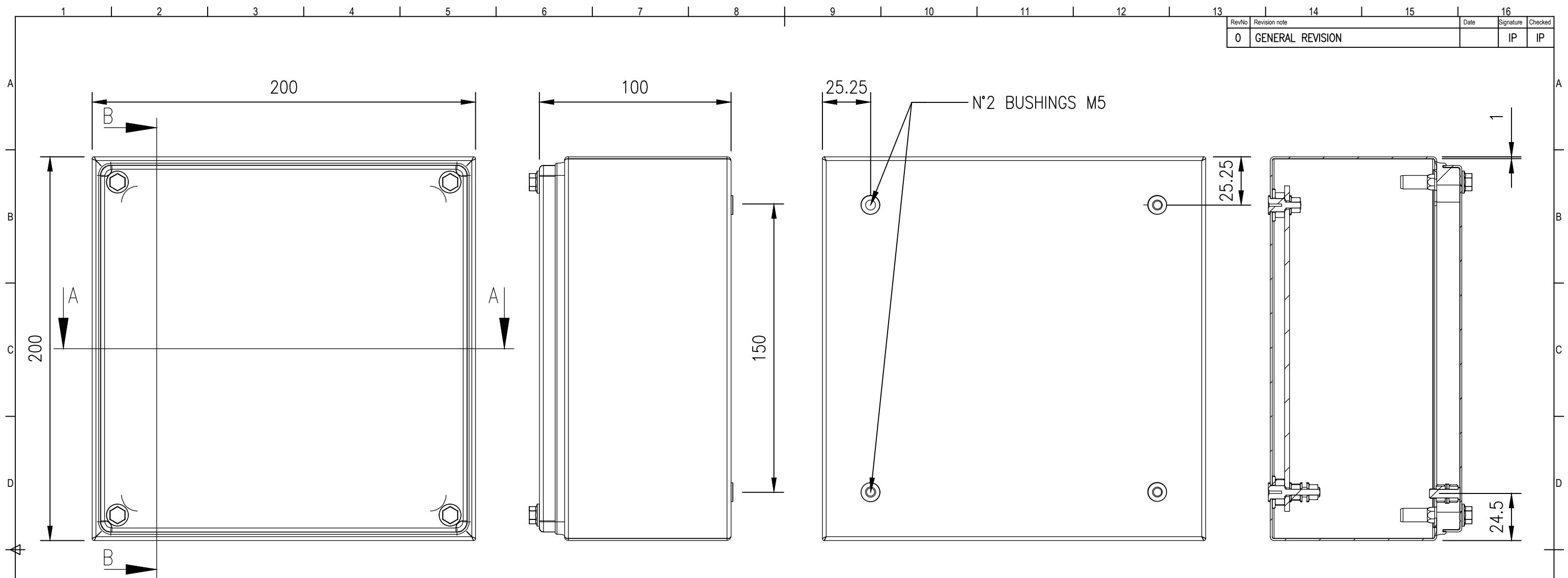


|       |                  |      |           |         |
|-------|------------------|------|-----------|---------|
| RevNo | Revision note    | Date | Signature | Checked |
| 0     | GENERAL REVISION |      | IP        | IP      |

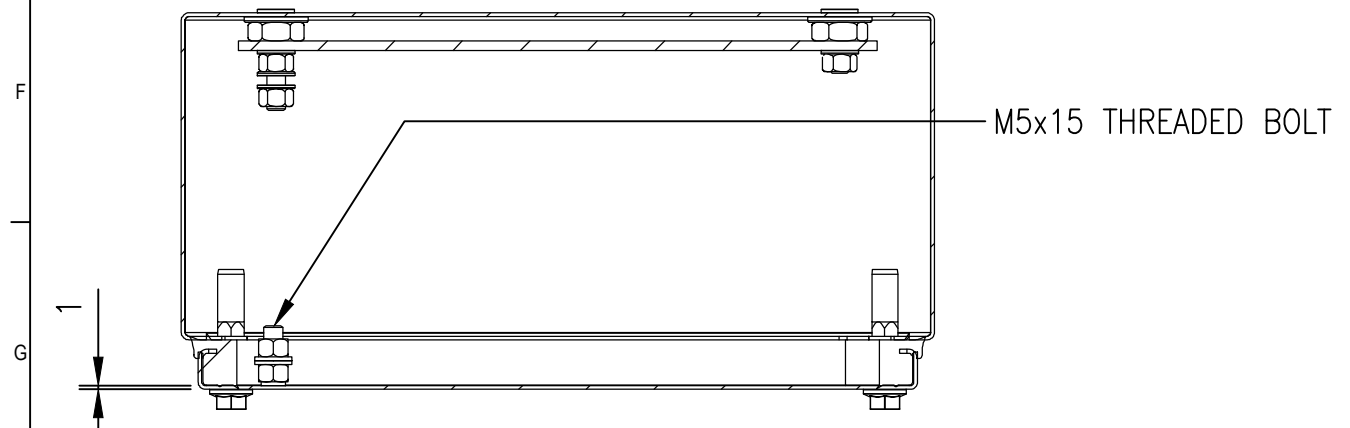


FRONT VIEW

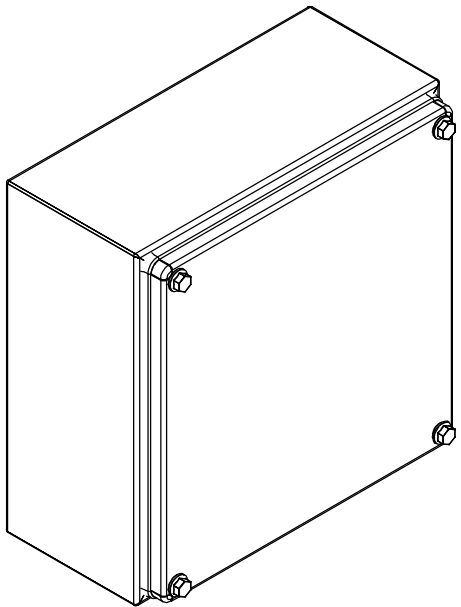
RIGHT SIDE VIEW

REAR VIEW

SECTION B-B



SECTION A-A



**MATERIAL**  
 BODY: 1.0mm 304 STAINLESS STEEL  
 COVER: 1.0mm 304 STAINLESS STEEL  
 SEAL: BLUE SILICONE

**PROTECTION:** IP66 IK08, IP69K,  
 NEMA TYPE 1, 12, 4, 4x

© IP ENCLOSURES 2023.  
 THIS DRAWING SHALL NOT BE COPIED OR REPRODUCED  
 WITHOUT AUTHORISATION FROM IP ENCLOSURES.  
 www.ipenclosures.com.au

|               |            |  |                       |
|---------------|------------|--|-----------------------|
| Itemref       | Quantity   | Title/Name, designation, material, dimension etc | Article No./Reference |
| IP            | 1          | 200x200x100 IP69K TERMINAL BOX                   | IP-HTB2020            |
| Designed by   | Checked by | Approved by - date                               | Filename              |
| IP            | IP         | 17/04/23   | IP-HTB2020            |
| Date          | Scale      | Edition  |                       |
| 17/04/23      | 1:2        | 0  | Sheet                 |
| IP Enclosures |            | 1  | 1/1                   |