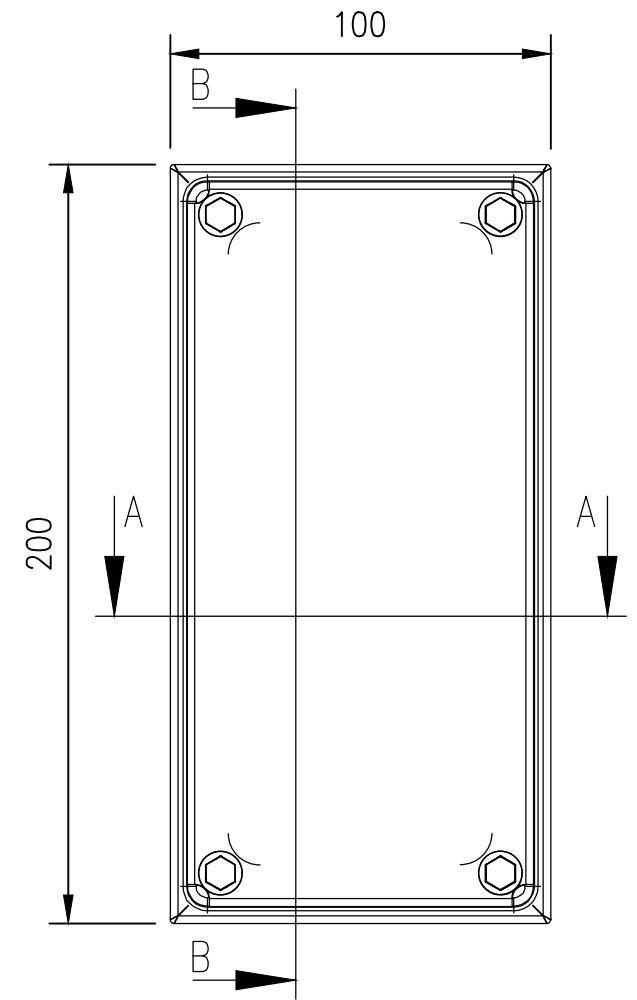
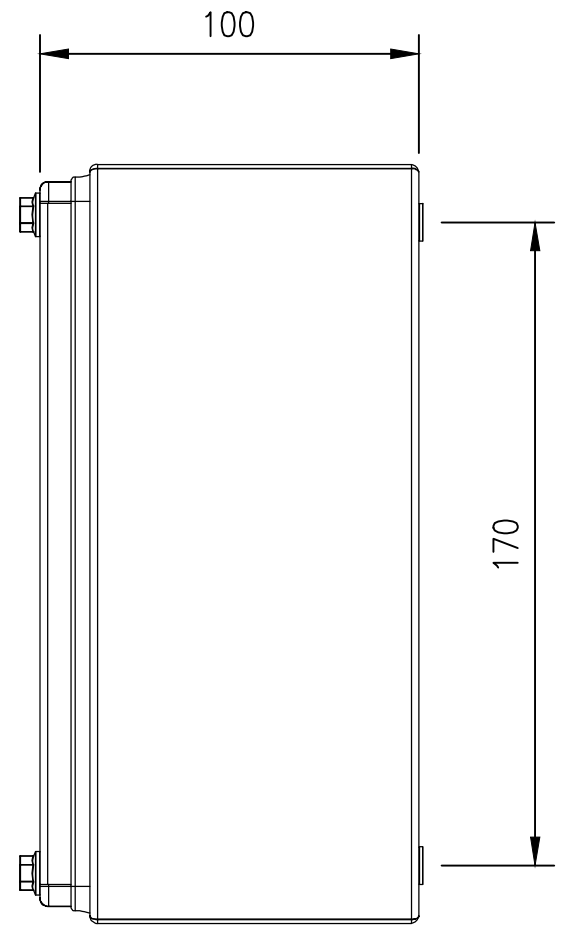


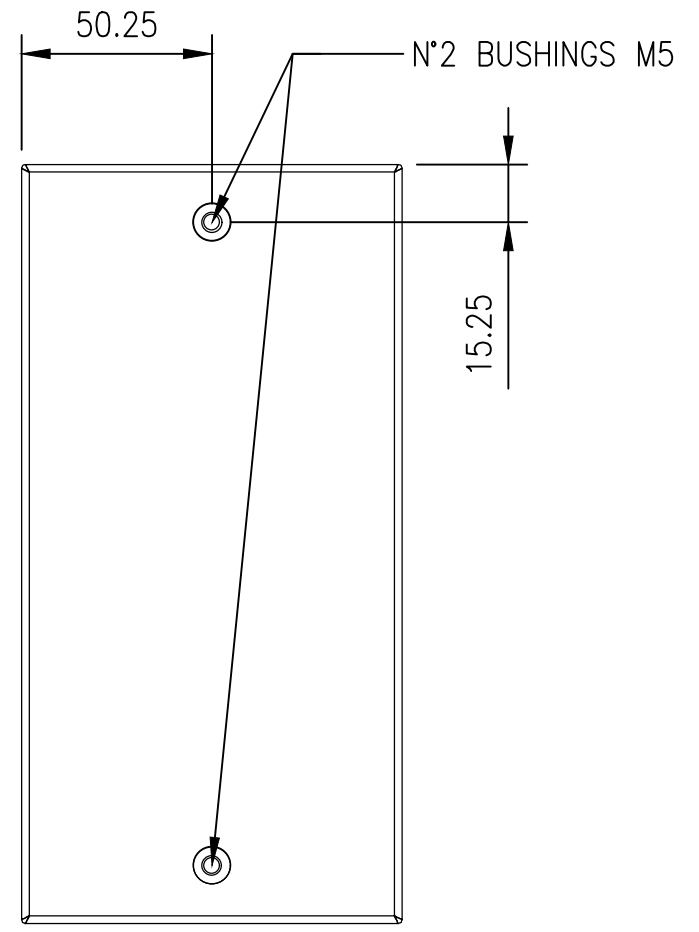
RevNo	Revision note	Date	Signature	Checked
0	GENERAL REVISION		IP	IP



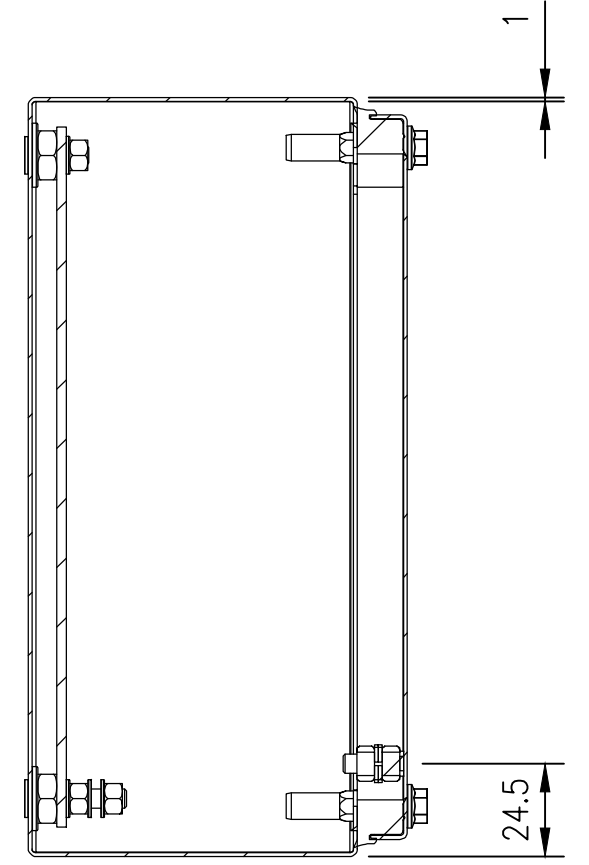
FRONT VIEW



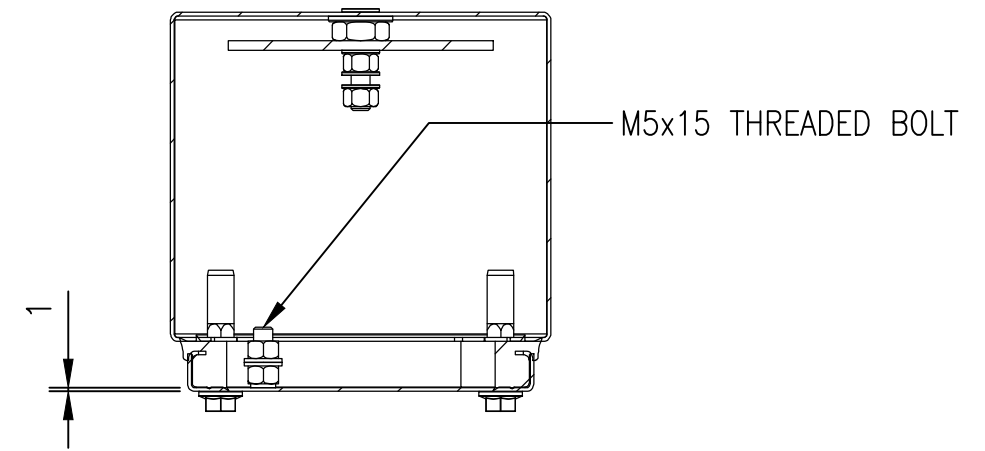
RIGHT SIDE VIEW



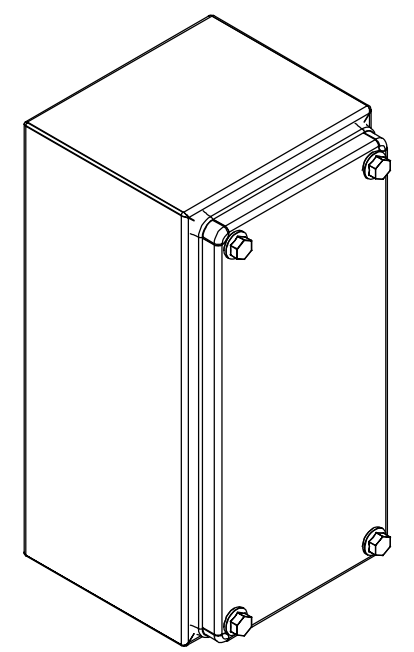
REAR VIEW



SECTION B-B



SECTION A-A



MATERIAL
 BODY: 1.0mm 304 STAINLESS STEEL
 COVER: 1.0mm 304 STAINLESS STEEL
 SEAL: BLUE SILICONE

PROTECTION: IP66 IK08, IP69K,
 NEMA TYPE 1, 12, 4, 4x

© IP ENCLOSURES 2023.
 THIS DRAWING SHALL NOT BE COPIED OR REPRODUCED
 WITHOUT AUTHORISATION FROM IP ENCLOSURES.
 www.ipenclosures.com.au

Itemref	Quantity	Title/Name, designation, material, dimension etc	Article No./Reference
Designed by IP	Checked by IP	Approved by - date 17/04/23	Filename IP-HTB2010 Date 17/04/23 Scale 1:2
IP Enclosures		200x100x100 IP69K TERMINAL BOX	Edition 0 Sheet 1/1