

HTB IP69K Terminal Box

IP-HTB1616

STAINLESS STEEL | HYGIENIC | IP66 IK08 | IP69K | IECEx

160H x 160W x 100D

The IP Enclosures HTB range of IP69K Hygienic Terminal Boxes are designed for applications within the food & beverage, pharmaceutical and other industries that require high hygienic standards. This range has obtained the prestigious IECEx certification, an international recognition for reliability in hazardous environments. The IECEx certification ensures that stainless steel terminal boxes and enclosures are suitable for containing electrical, electronic or pneumatic components in hazardous environments. This range has been tested to ensure maximum operational safety in zones 1, 21, 2 and 22. Our full range of IP69K Terminal Boxes are made in Italy using the highest quality materials and processes.

Protection: IP66 IK08, IP69K, Nema Type 1, 12, 4, 4x, IECEx Ex eb IIC Gb (for gas), Ex tb IIIC Db (for dust)

Standards (& Conformities): IEC/EN/AS60529, ISO20653, UL508A, RoHS, IEC60079



Material:

- Body: 1.0 to 1.2mm Grade 304 Stainless Steel
- Cover: 1.0 to 1.2mm Grade 304 Stainless Steel
- Seal: Blue Silicone FDA compliant

Body: The body is fabricated using 1.0mm to 1.2mm Grade 304 Stainless Steel. It is designed to be completely smooth and without crevices and without concave angles to facilitate cleaning and avoid deposits. The body is designed to promote self draining for ease of hygienic cleaning.

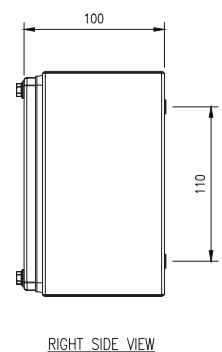
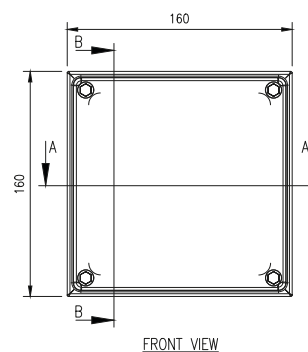
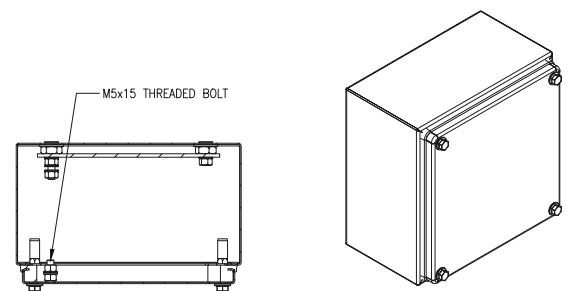
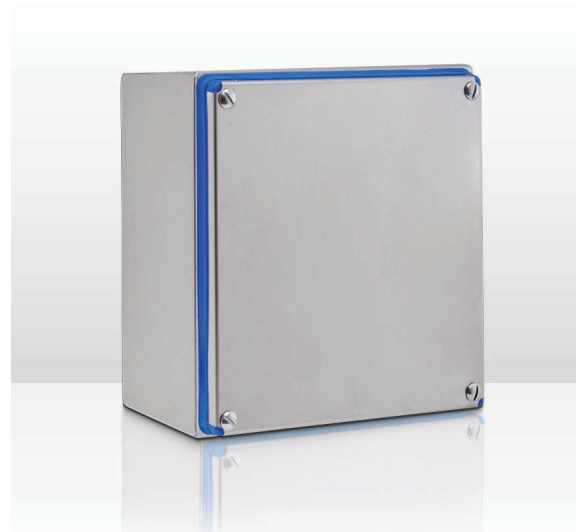
Cover: The cover is fabricated using 1.0mm to 1.2mm Grade 304 Stainless Steel and includes a clip-in silicone seal.

Seal: Blue silicone seal, FDA compliant for food production areas. Replaceable.

Surface Finish: 0.2 microns.

Useable Depth: 85mm.

Mass: 1.43Kg.



HTB IP69K Terminal Box

IP-HTB1616

STAINLESS STEEL | HYGIENIC | IP66 IK08 | IP69K | IECEX 160H x 160W x 100D

ACCESSORIES:

Part Number	Description
IP-HWMB	Hygienic 304 Stainless Steel Wall Mounting Brackets (Set of 2)
IP-304-FMB	304 Stainless Steel Flat Wall Mounting Brackets for Terminal Boxes (Set of 4)
IP-SST-FWMB	304 Stainless Steel Flat Brackets for Terminal Boxes (Set of 4)
IP-SST-RWMB	304 Stainless Steel Raised Brackets for Terminal Boxes (Set of 4)

CERTIFICATES:

UL: Listing Number E231227

Products are manufactured to Quality, Safety and Environmental Standards.

WARRANTY: 5 years.