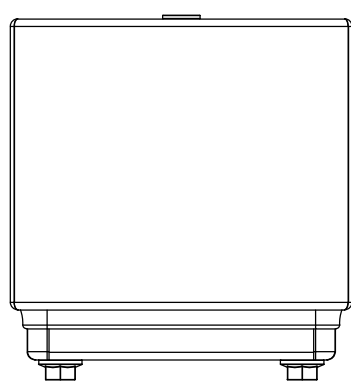
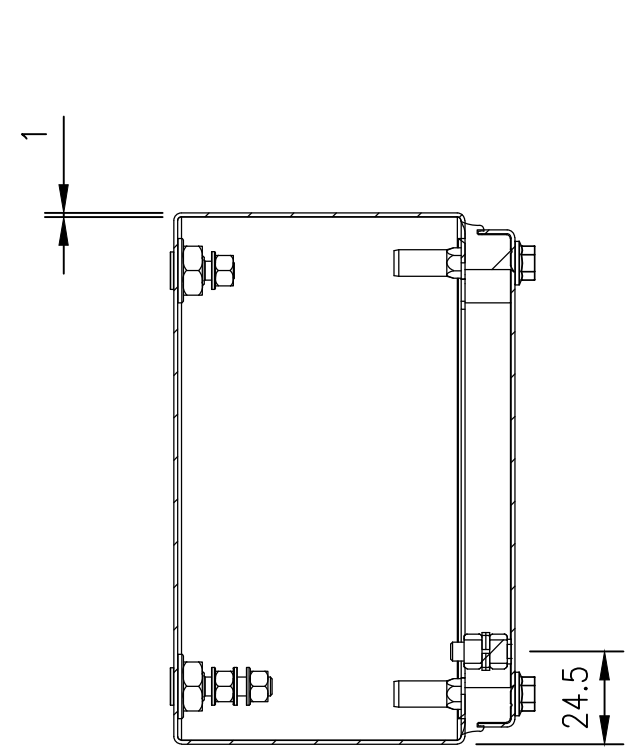
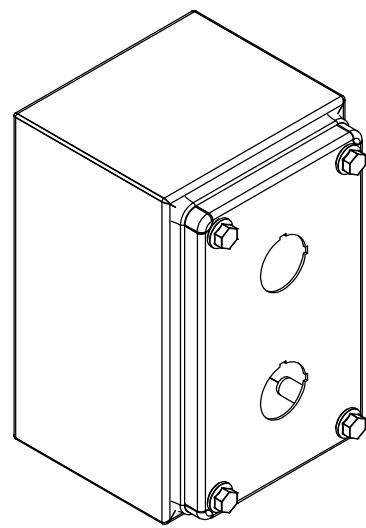


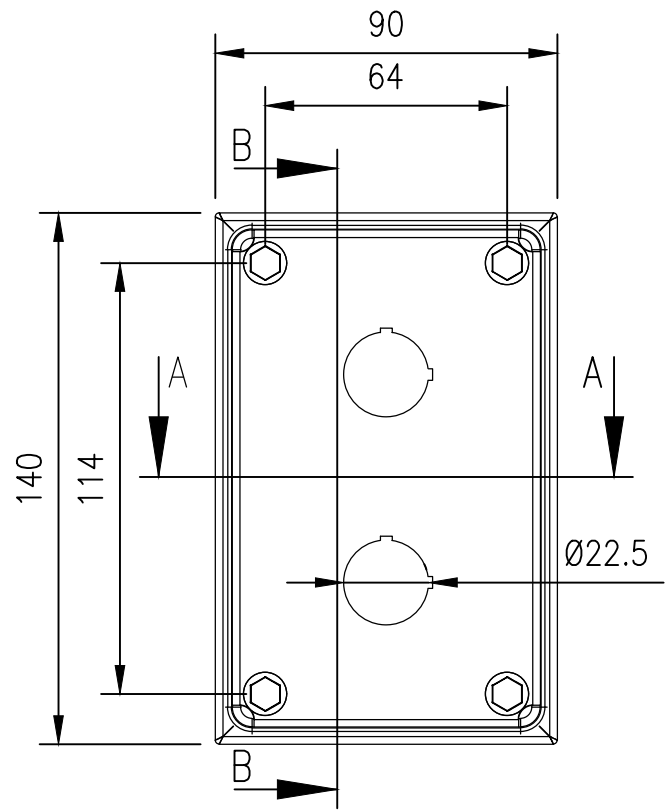
RevNo	Revision note	Date	Signature	Checked
0	GENERAL REVISION		IP	IP



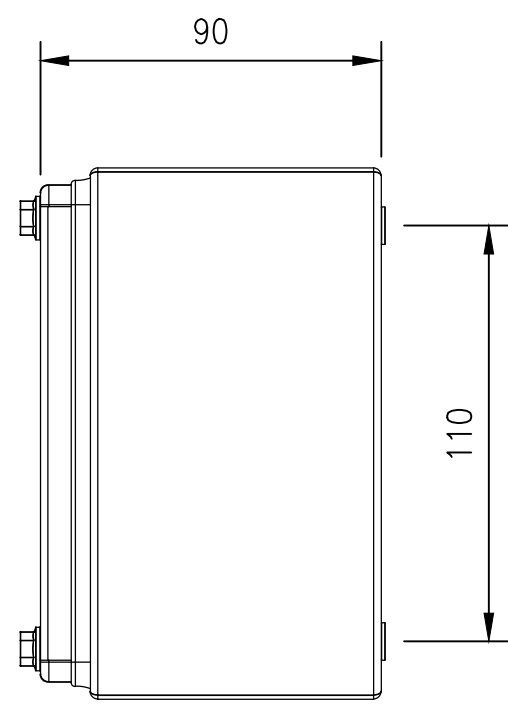
TOP VIEW



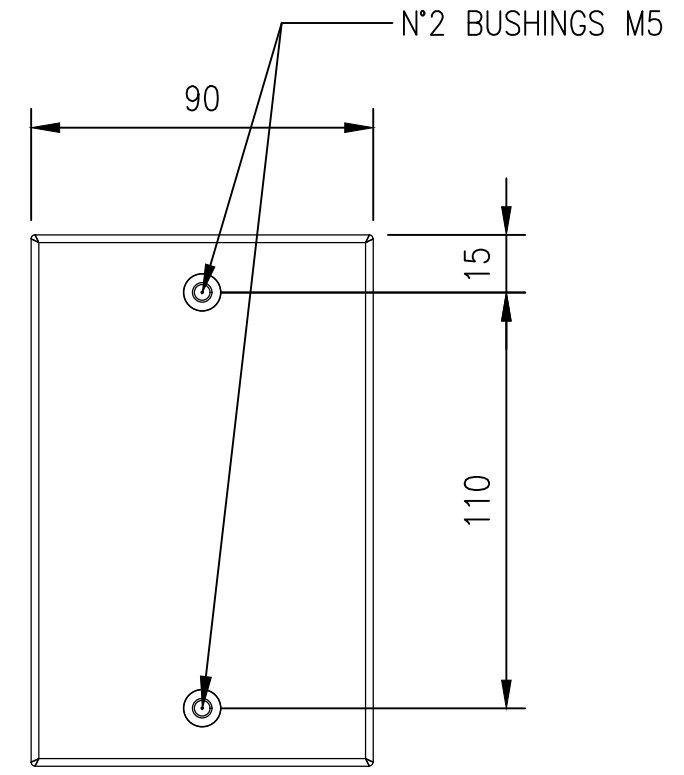
SECTION B-B



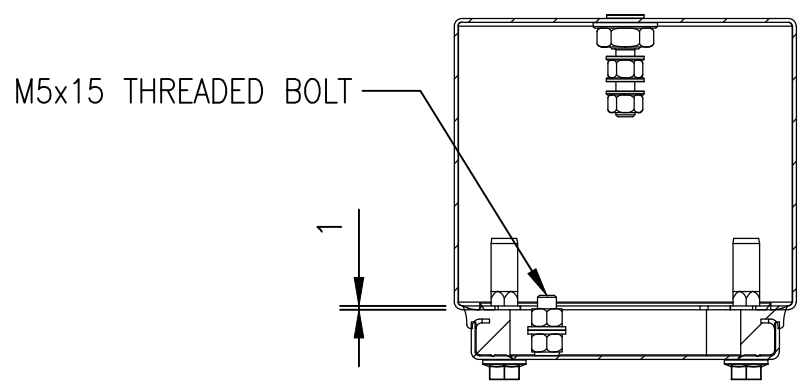
FRONT VIEW



RIGHT SIDE VIEW



REAR VIEW



BOTTOM VIEW

**MATERIAL**  
 BODY: 1.0mm 304 STAINLESS STEEL  
 COVER: 1.0mm 304 STAINLESS STEEL  
 SEAL: BLUE SILICONE

**PROTECTION:** IP66 IK08, IP69K,  
 NEMA TYPE 1, 12, 4, 4x

© IP ENCLOSURES 2023.  
 THIS DRAWING SHALL NOT BE COPIED OR REPRODUCED  
 WITHOUT AUTHORISATION FROM IP ENCLOSURES.  
 www.ipenclosures.com.au

Itemref	Quantity	Title/Name, designation, material, dimension etc	Article No./Reference
Designed by IP	Checked by IP	Approved by - date 20/03/23	Filename IP-HPB2
		Date 20/03/23	Scale 1:2
			140x90x90 304SS PUSHBUTTON ENCLOSURE
IP-HPB2			Edition 0
			Sheet 1/1