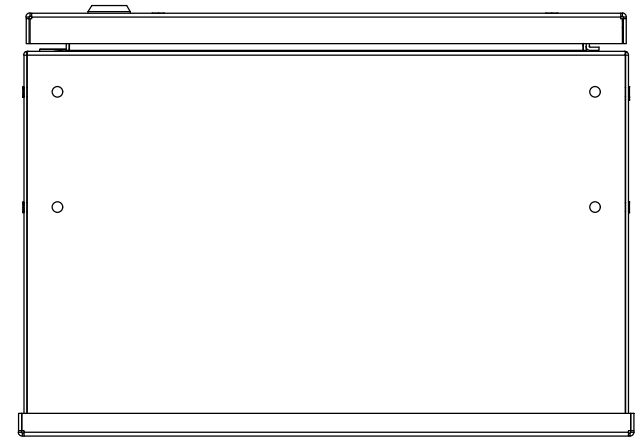
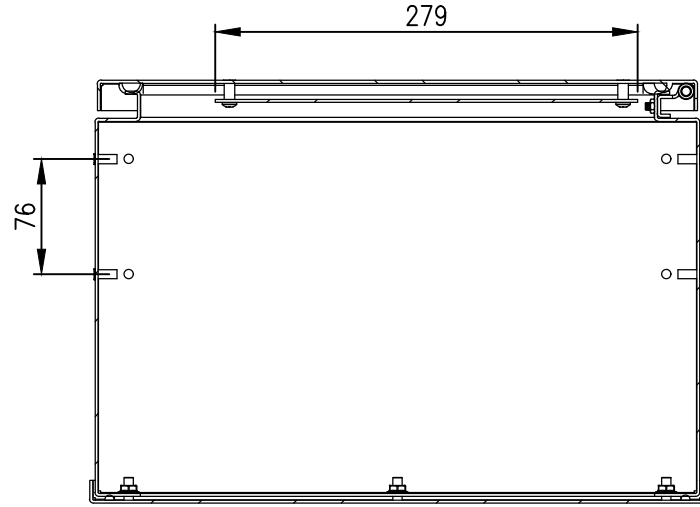


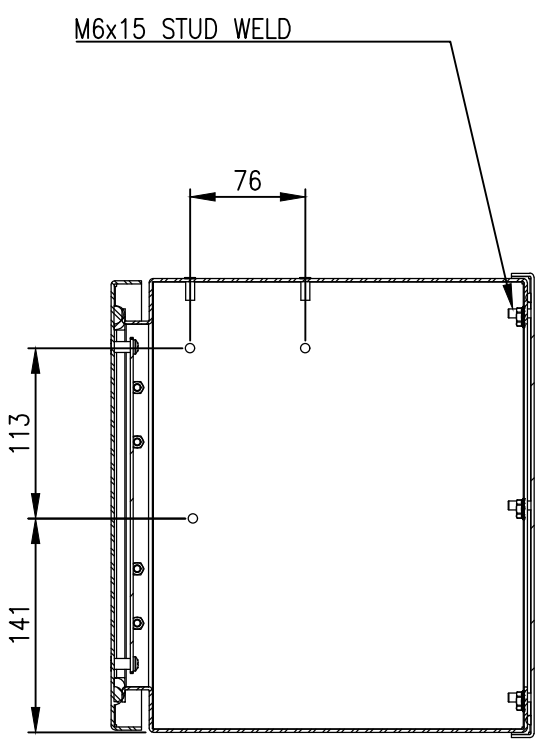
RevNo	Revision note	Date	Signature	Checked
0	GENERAL REVISION		IP	IP



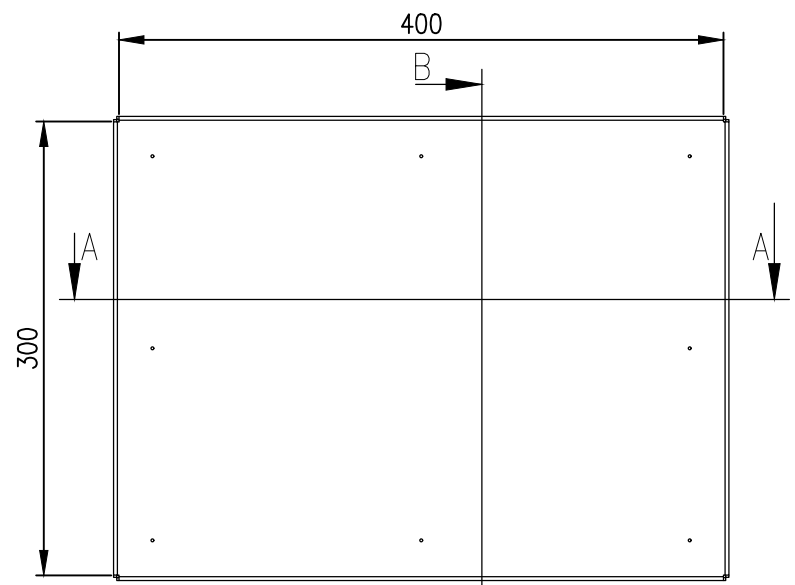
TOP VIEW



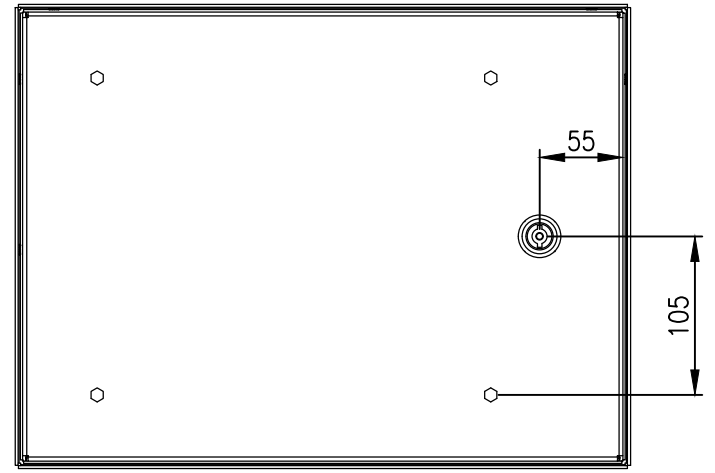
SECTION A-A



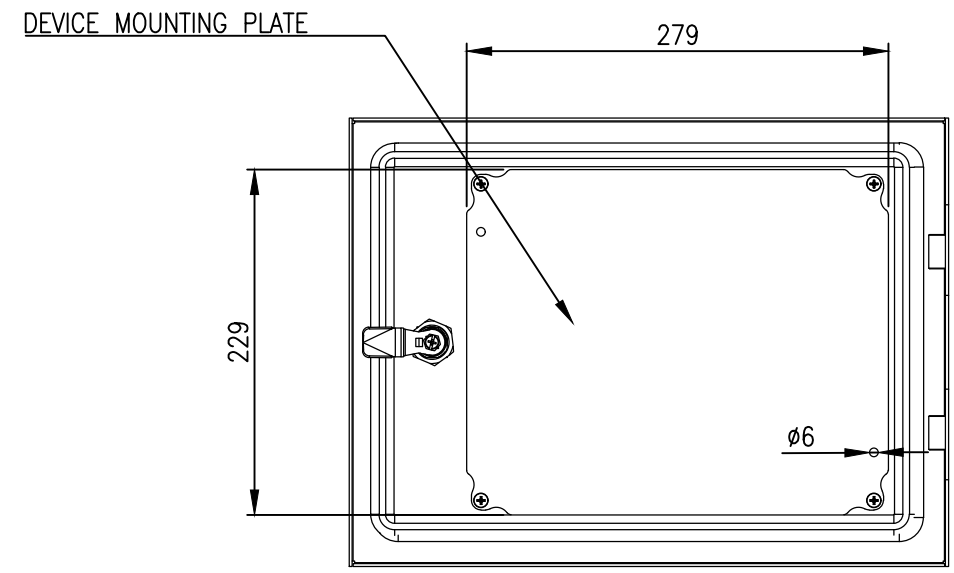
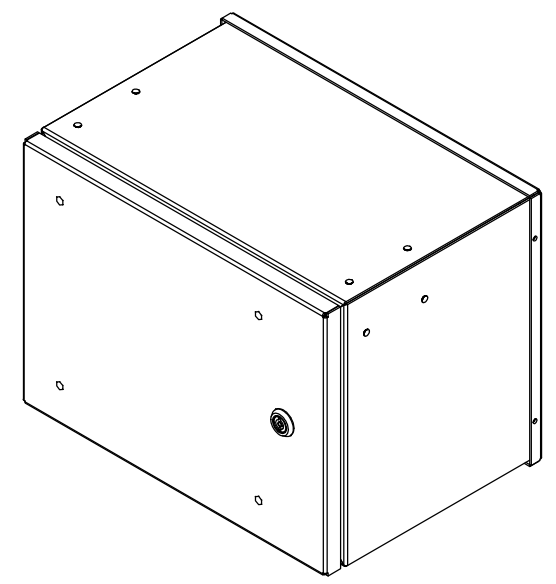
SECTION B-B



FRONT VIEW



REAR VIEW



REAR-DOOR INTERIOR VIEW

**MATERIAL**  
ENCLOSURE BODY: 2.0mm GALVANISED STEEL SHEET  
ENCLOSURE DOOR: GALVANISED STEEL SHEET  
ENCLOSURE FRONT PANEL: GALVANISED STEEL SHEET  
ENCLOSURE SEAL: POLYURETHANE  
SURFACE TREATMENT: POWDER-COAT 80-120 MICRON  
STANDARD COLOUR: RAL7035

PROTECTION: IP66  
STANDARD: AS/EN/IEC60529

© IP ENCLOSURES 2022.  
THIS DRAWING SHALL NOT BE COPIED OR REPRODUCED WITHOUT  
AUTHORISATION FROM IP ENCLOSURES.  
www.ipenclosures.com.au

Itemref	Quantity	Title/Name, designation, material, dimension etc	Article No./Reference
Designed by IP	Checked by IP	Approved by - date 09/08/22	Filename IP-HMI304025
		Date 09/08/22	Scale 1:5
			300Hx400Wx250D STEEL HMI ENCLOSURE
IP-HMI304025			Edition 0
			Sheet 1/1