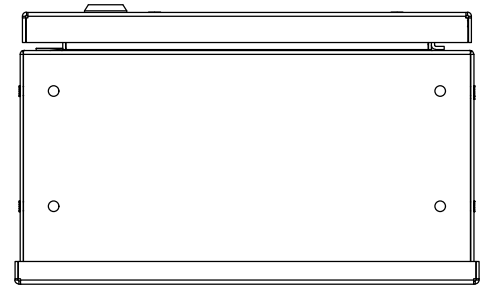
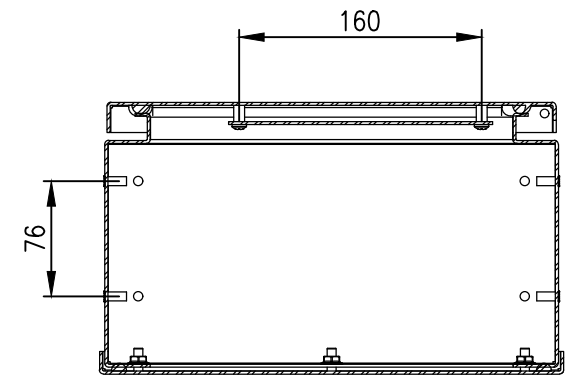


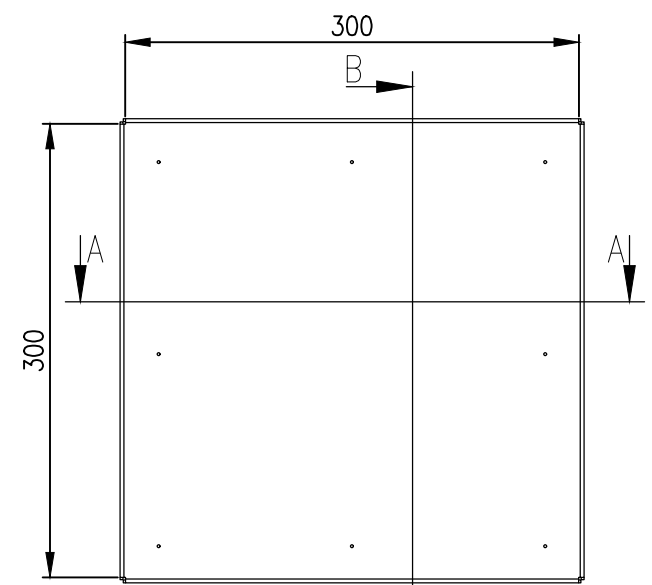
RevNo	Revision note	Date	Signature	Checked
0	GENERAL REVISION		IP	IP



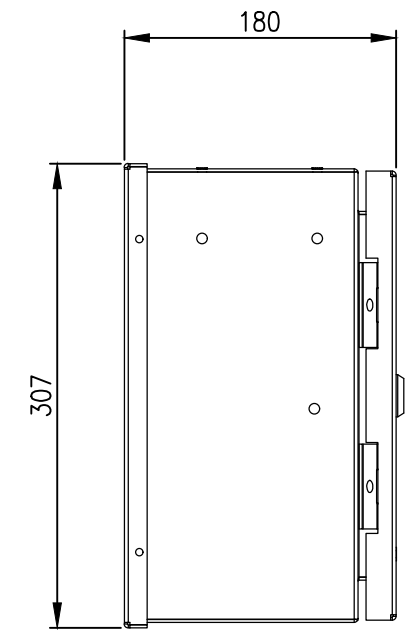
TOP VIEW



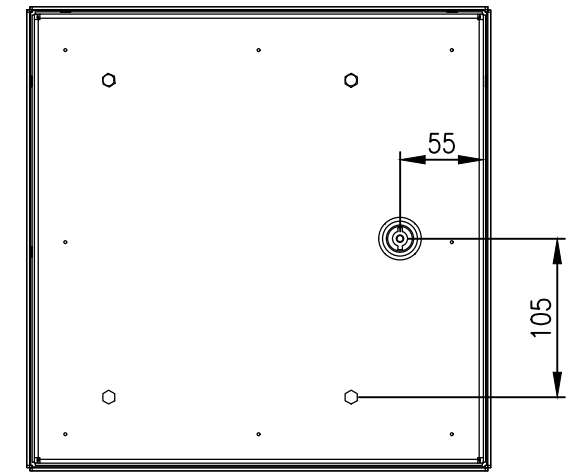
SECTION A-A



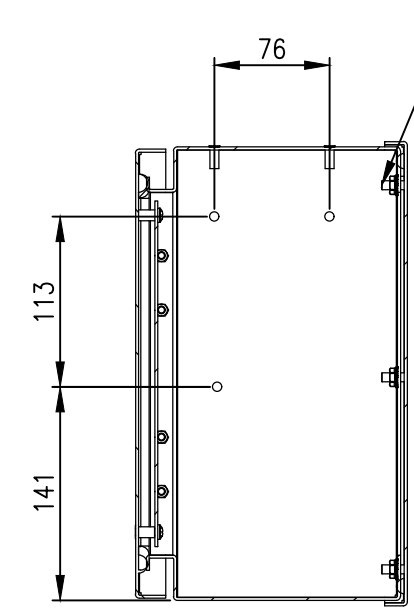
FRONT VIEW



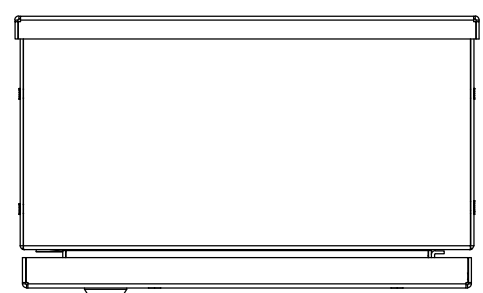
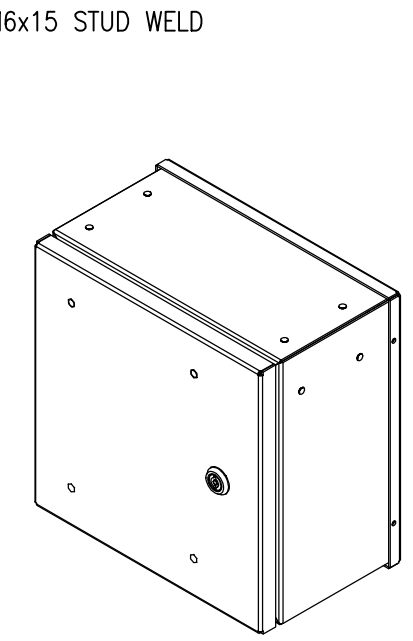
RIGHT SIDE VIEW



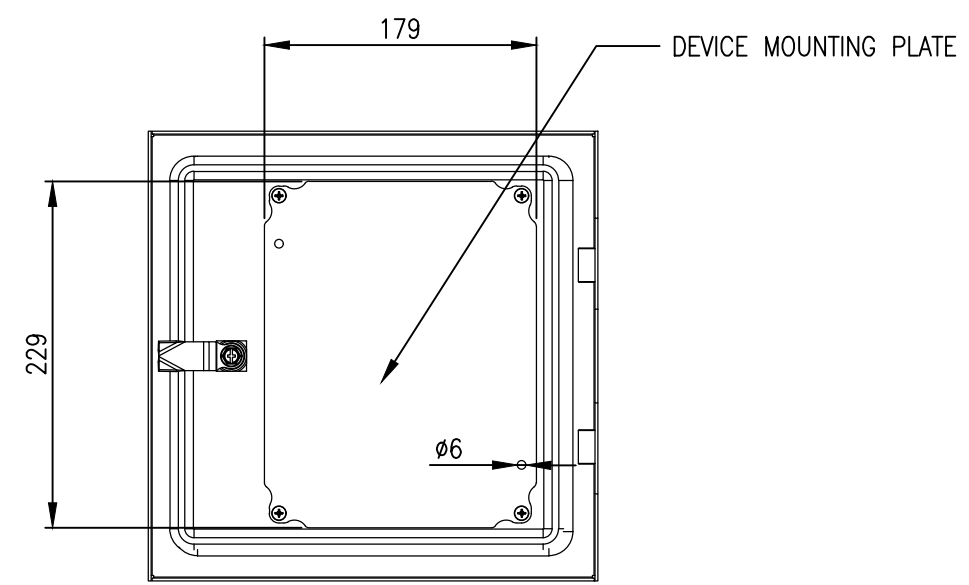
REAR-DOOR VIEW



SECTION B-B



BOTTOM VIEW



REAR-DOOR INTERIOR VIEW

**MATERIAL**  
ENCLOSURE BODY: 2.0mm GALVANISED STEEL SHEET  
ENCLOSURE DOOR: GALVANISED STEEL SHEET  
ENCLOSURE FRONT PANEL: GALVANISED STEEL SHEET  
ENCLOSURE SEAL: POLYURETHANE  
SURFACE TREATMENT: POWDER-COAT 80-120 MICRON  
STANDARD COLOUR: RAL7035

PROTECTION: IP66  
STANDARD: AS/EN/IEC60529

© IP ENCLOSURES 2022.  
THIS DRAWING SHALL NOT BE COPIED OR REPRODUCED WITHOUT  
AUTHORISATION FROM IP ENCLOSURES.  
www.ipenclosures.com.au

Itemref	Quantity	Title/Name, designation, material, dimension etc	Article No./Reference
IP	1	300Hx300Wx150D STEEL HMI ENCLOSURE	IP-HMI303015
Designed by	Checked by	Approved by - date	Filename Date Scale
IP	IP	09/08/22	IP-HMI303015 09/08/22 1:5
IP Enclosures			Edition Sheet
IP-HMI303015			0 1/1