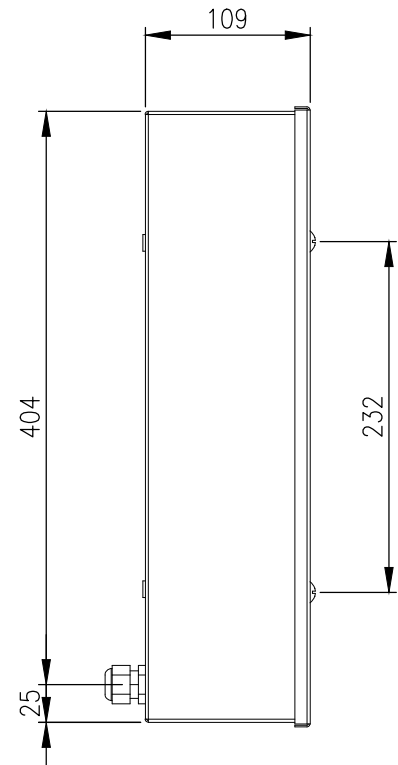
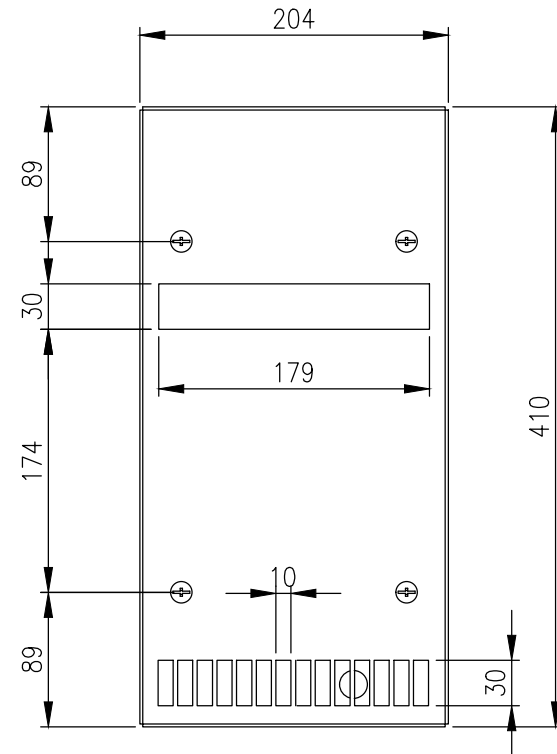


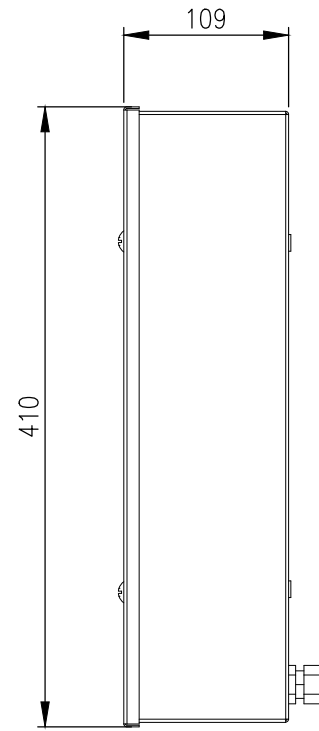
TOP VIEW



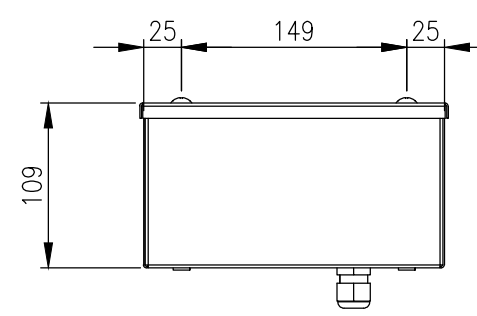
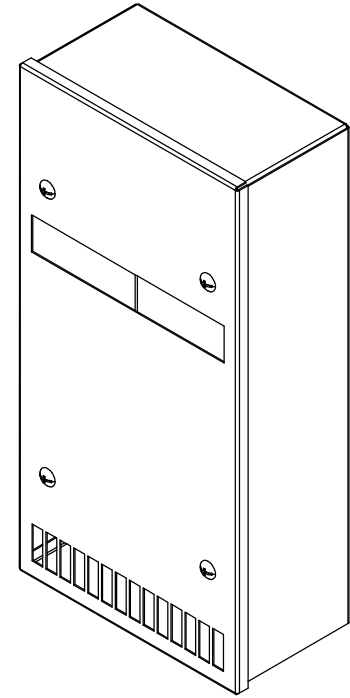
LEFT SIDE VIEW



FRONT VIEW



RIGHT SIDE VIEW



BOTTOM VIEW

FEATURES & SPECIFICATIONS:

INSTALLATION: INTERNAL/EXTERNAL
 MATERIAL: ALUMINIUM (INSIDE CORE)
 COOLING CAPACITY: 16 W/K
 POWER SUPPLY: 230V

PROTECTION: IP54

© IP ENCLOSURES 2023.
 THIS DRAWING SHALL NOT BE COPIED OR REPRODUCED
 WITHOUT AUTHORISATION FROM IP ENCLOSURES.
 www.ipenclosures.com.au

Itemref	Quantity	Title/Name, designation, material, dimension etc		Article No./Reference	
Designed by IP	Checked by IP	Approved by - date 09/10/23	Filename IP-HEX16	Date 09/10/23	Scale 1:5
			410Hx204Wx109D HEAT EXCHANGER		
			IP-HEX16	Edition 0	Sheet 1/1