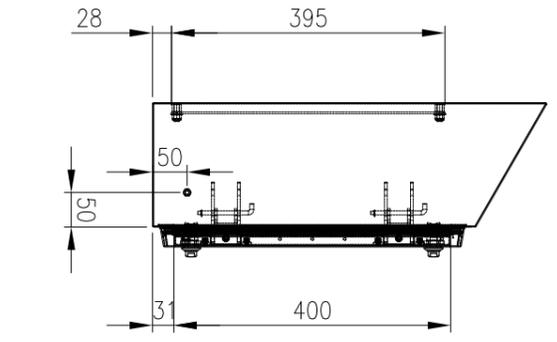
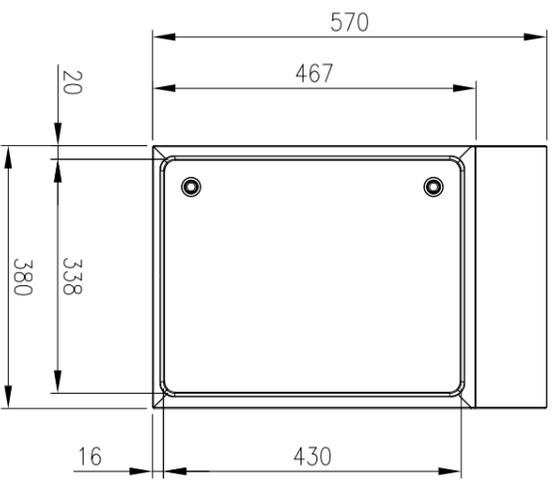


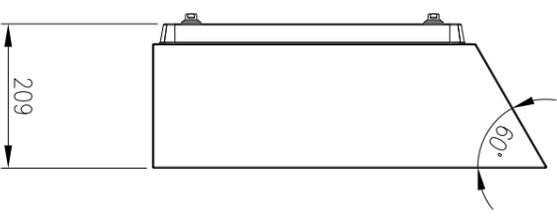
TOP VIEW



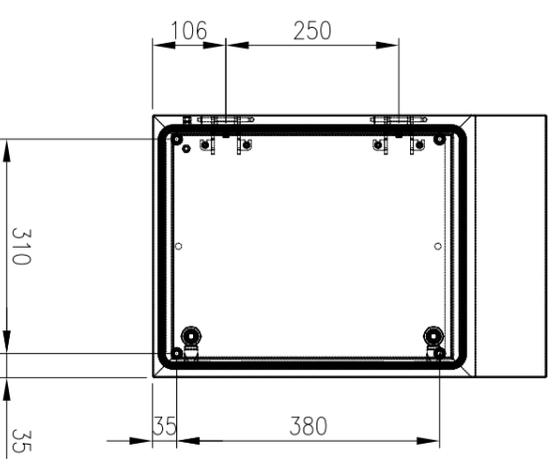
SIDE VIEW



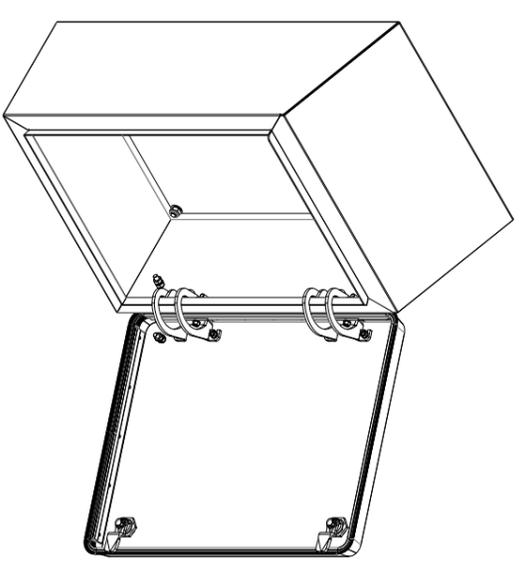
FRONT VIEW



SIDE VIEW



REAR VIEW



MATERIAL
 BODY: 304 STAINLESS STEEL
 DOOR: 304 STAINLESS STEEL
 DEVICE PLATE: GALVANISED STEEL SHEET
 SEAL: BLUE SILICONE. FDA COMPLIANT

PROTECTION: IP66, IP69K
STANDARD: DGVV EN1672-2, EN62208, EN/AS60529

© IP ENCLOSURES 2016.
 THIS DRAWING SHALL NOT BE COPIED OR REPRODUCED
 WITHOUT AUTHORISATION FROM IP ENCLOSURES.
 www.ipenclosures.com.au

Item#	Quantity	TradeName, designation, material, dimension etc.	Article No./Reference	Scale
IP	1	450x380x210 IP69K HYGIENIC ENCLOSURE	IP-H453821	1:10
IP	1	IP-H453821	IP-H453821	1/1

