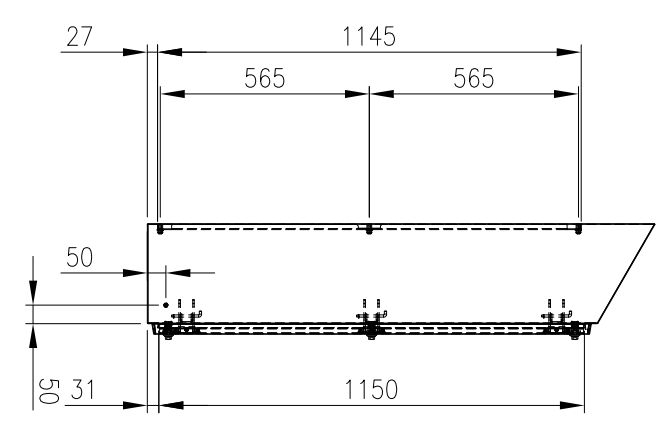
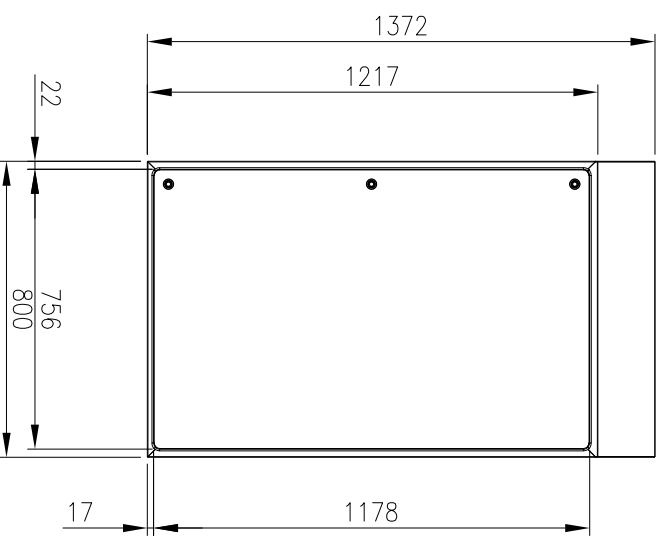


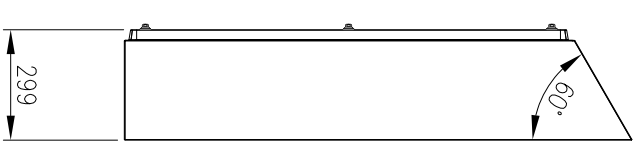
TOP VIEW



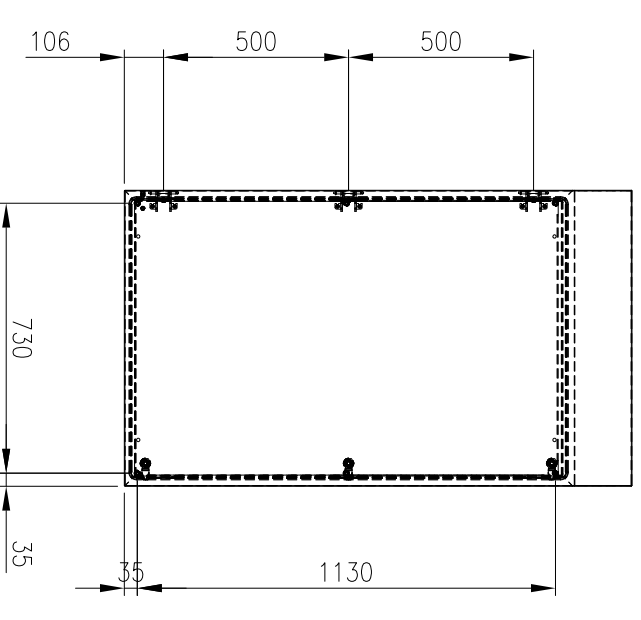
SIDE VIEW



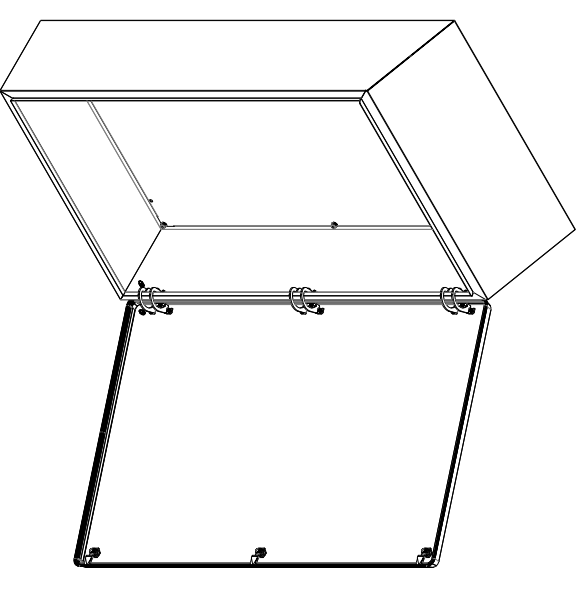
FRONT VIEW



SIDE VIEW



REAR VIEW



MATERIAL
 BODY: 304 STAINLESS STEEL
 DOOR: 304 STAINLESS STEEL
 DEVICE PLATE: GALVANISED STEEL SHEET
 SEAL: BLUE SILICONE. FDA COMPLIANT

PROTECTION: IP66, IP69K
STANDARD: DGUV EN1672-2, EN62208, EN/AS60529

© IP ENCLOSURES 2016.
 THIS DRAWING SHALL NOT BE COPIED OR REPRODUCED
 WITHOUT AUTHORISATION FROM IP ENCLOSURES.
 www.ipenclosures.com.au

Item	Quantity	TradeName, designation, material, dimension etc.	Article No./Reference	Scale
IP Enclosures				1:20
Designed by	Checked by	Approved by - date	Filename	Date
IP	IP	20/05/21	IP-H1208030	20/05/21
1200x800x300 IP69K HYGIENIC ENCLOSURE				
IP-H1208030				
Edition 1				
Sheet 1/1				