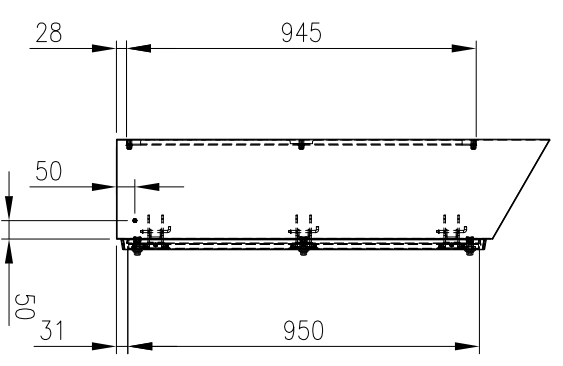
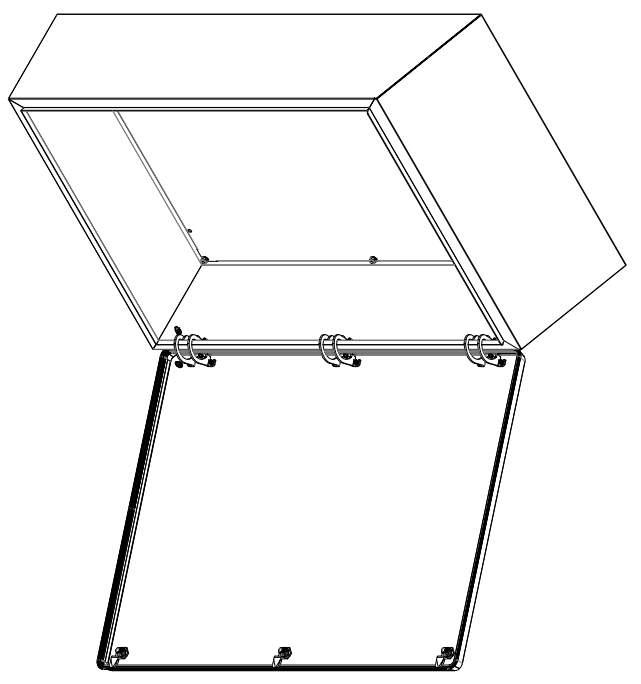
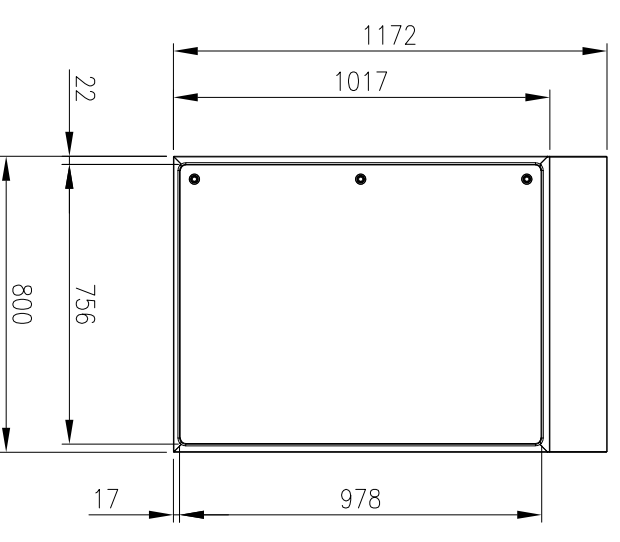


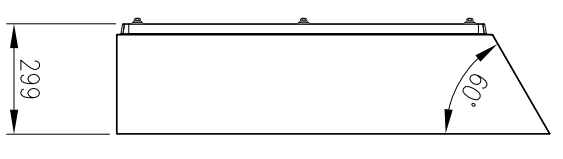
TOP VIEW



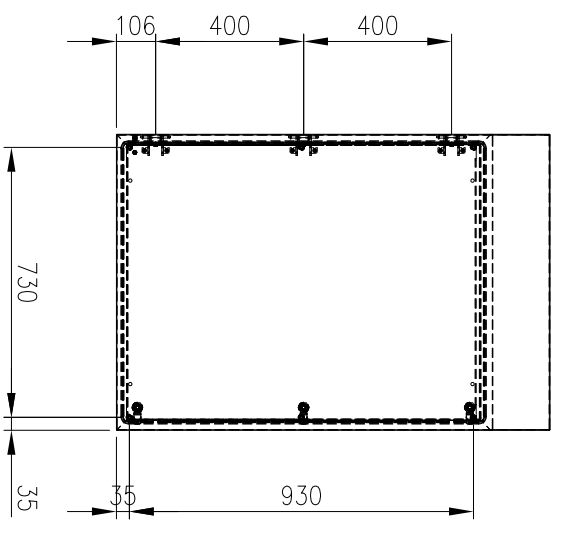
SIDE VIEW



FRONT VIEW



SIDE VIEW



REAR VIEW

MATERIAL
 BODY: 304 STAINLESS STEEL
 DOOR: 304 STAINLESS STEEL
 DEVICE PLATE: GALVANISED STEEL SHEET
 SEAL: BLUE SILICONE. FDA COMPLIANT

PROTECTION: IP66, IP69K
STANDARD: DGV EN1672-2, EN62208, EN/AS60529

© IP ENCLOSURES 2016.
 THIS DRAWING SHALL NOT BE COPIED OR REPRODUCED
 WITHOUT AUTHORISATION FROM IP ENCLOSURES.
 www.ipenclosures.com.au

Item#	Quantity	TradeName, designation, material, dimension etc.	Article No./Reference
IP	1	IP-H1008030	IP-H1008030
Designed by	Checked by	Approved by - date	Filename
IP	IP	20/05/21	IP-H1008030
		1000x800x300 IP69K HYGIENIC ENCLOSURE	Date
			20/05/21
			Scale
			1:20
			Edition
			1
			Sheet
			1/1

