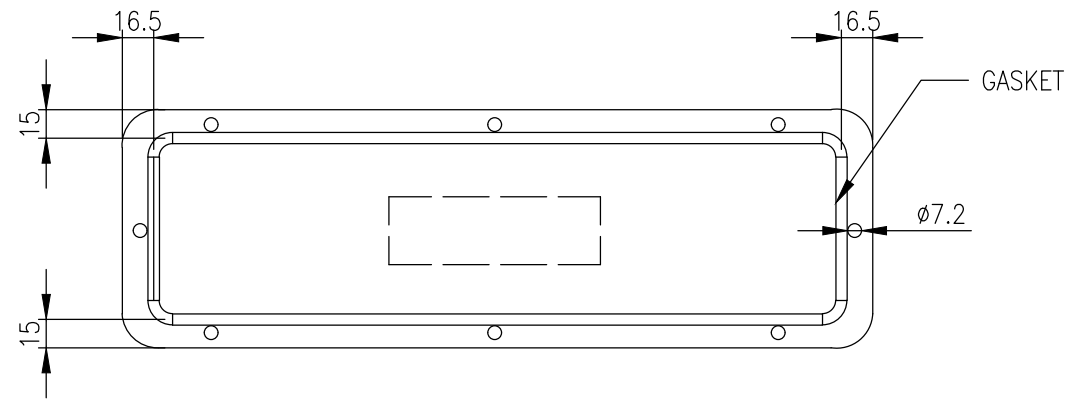


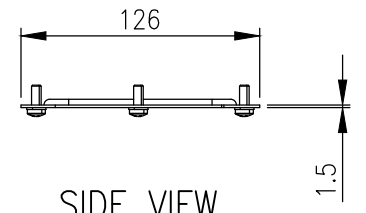
RevNo	Revision note	Date	Signature	Checked
0	GENERAL REVISION		IP	IP



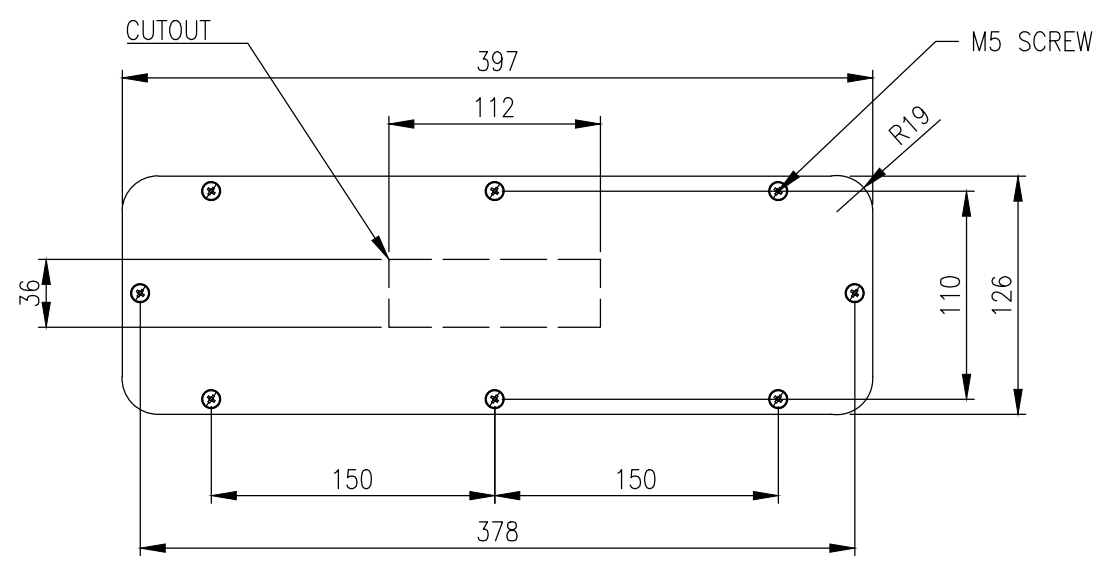
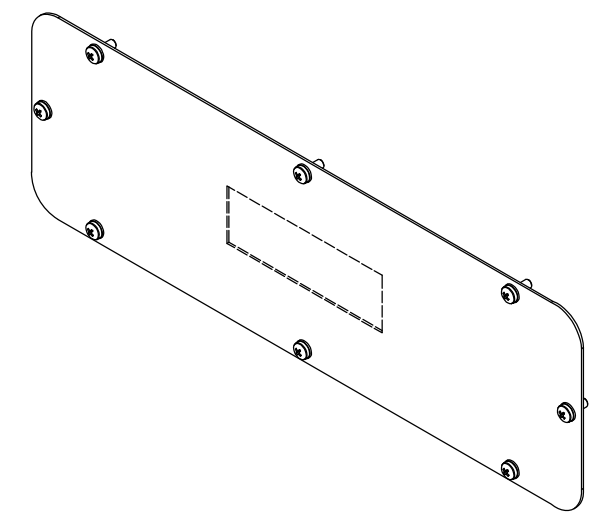
TOP VIEW



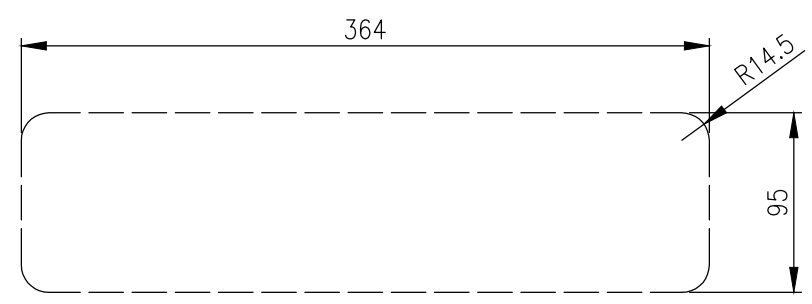
FRONT VIEW



SIDE VIEW



BOTTOM VIEW



OPENING SIZE

MATERIAL
 BODY: 1.5mm GALVANISED STEEL SHEET
 SURFACE TREATMENT: POWDER-COAT 80-120micron
 COLOUR: RAL7035 LIGHT GREY

MASS: 0.7Kg.

© IP ENCLOSURES 2026.
 THIS DRAWING SHALL NOT BE COPIED OR REPRODUCED
 WITHOUT AUTHORISATION FROM IP ENCLOSURES.
 www.ipenclosures.com.au

Itemref	Quantity	Title/Name, designation, material, dimension etc			Article No./Reference	
IP	1	397Wx126D GLAND PLATE with CUTOUT	IP-GPS24-3	08/05/26	08/05/26	Scale 1:4
Designed by IP		Checked by IP	Approved by - date 08/05/26	Filename IP-GPS24-3	Date 08/05/26	Scale 1:4
IP Enclosures			IP-GPS24-3		Edition 0	Sheet 1/1