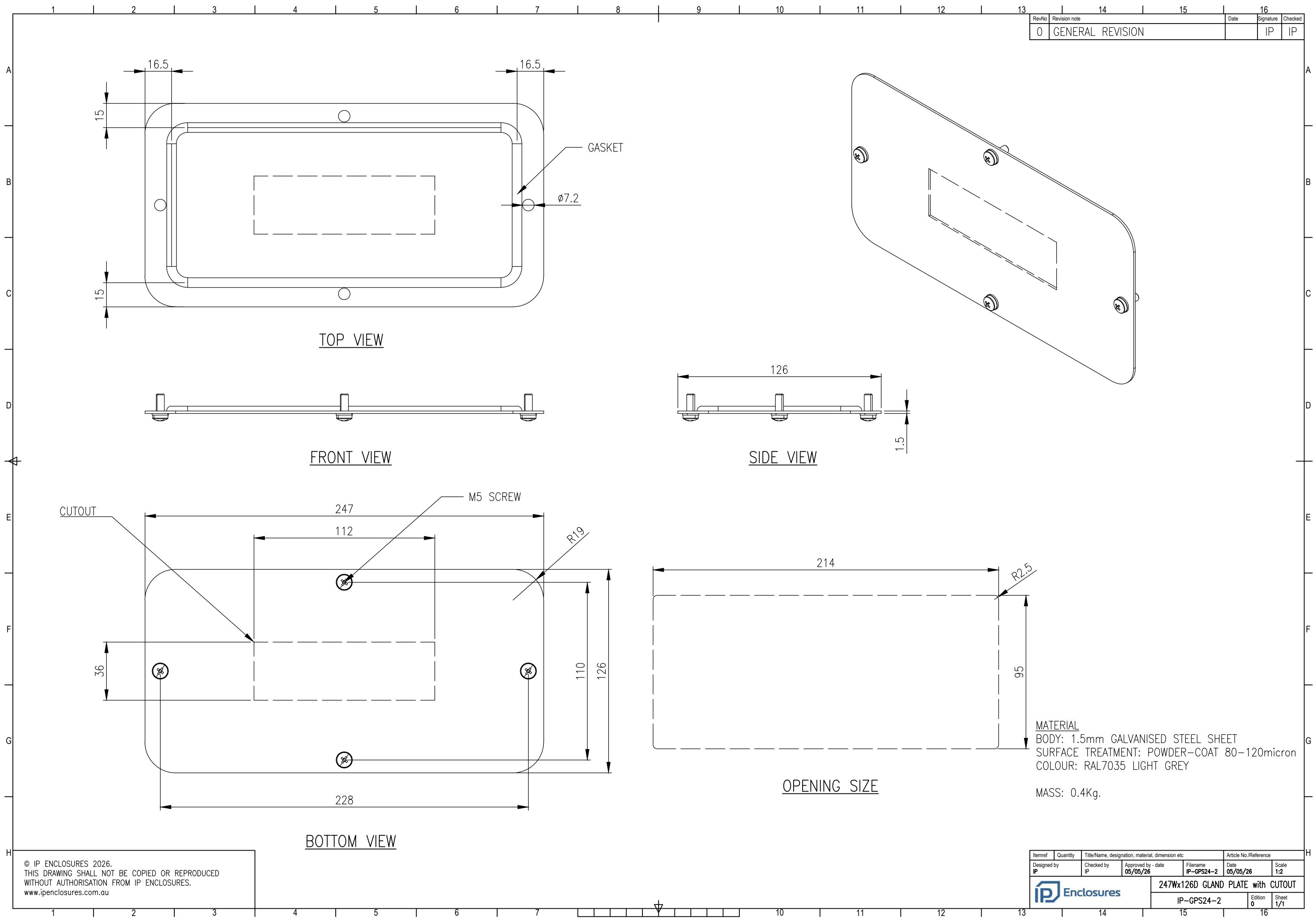


RevNo	Revision note	Date	Signature	Checked
0	GENERAL REVISION		IP	IP



TOP VIEW

FRONT VIEW

SIDE VIEW

BOTTOM VIEW

OPENING SIZE

MATERIAL
 BODY: 1.5mm GALVANISED STEEL SHEET
 SURFACE TREATMENT: POWDER-COAT 80-120micron
 COLOUR: RAL7035 LIGHT GREY
 MASS: 0.4Kg.

© IP ENCLOSURES 2026.
 THIS DRAWING SHALL NOT BE COPIED OR REPRODUCED
 WITHOUT AUTHORISATION FROM IP ENCLOSURES.
 www.ipenclosures.com.au

Itemref	Quantity	Title/Name, designation, material, dimension etc	Article No./Reference
IP	1	247x126D GLAND PLATE with CUTOUT	IP-GPS24-2
Designed by	Checked by	Approved by - date	Filename
IP	IP	05/05/26	IP-GPS24-2
Date	Scale	Edition	
05/05/26	1:2	0	
Sheet		Sheet	
1/1		1/1	