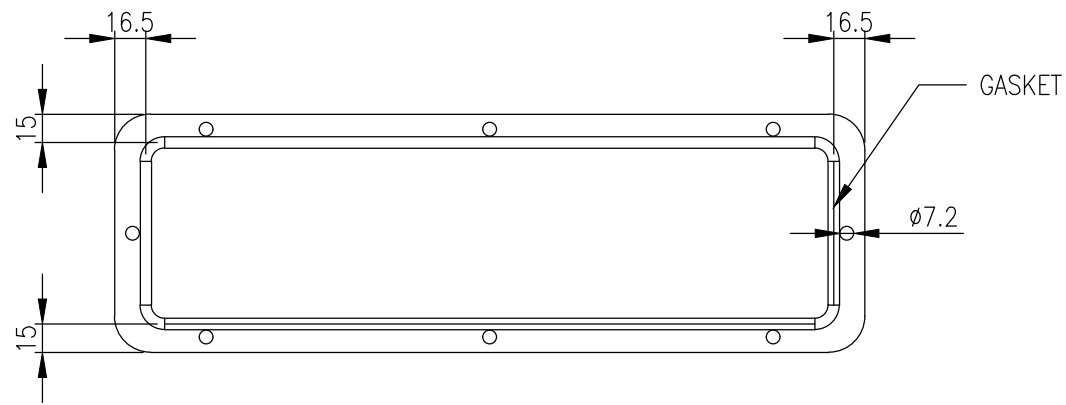


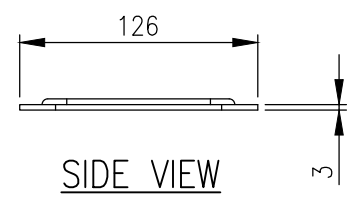
RevNo	Revision note	Date	Signature	Checked
0	GENERAL REVISION		IP	IP



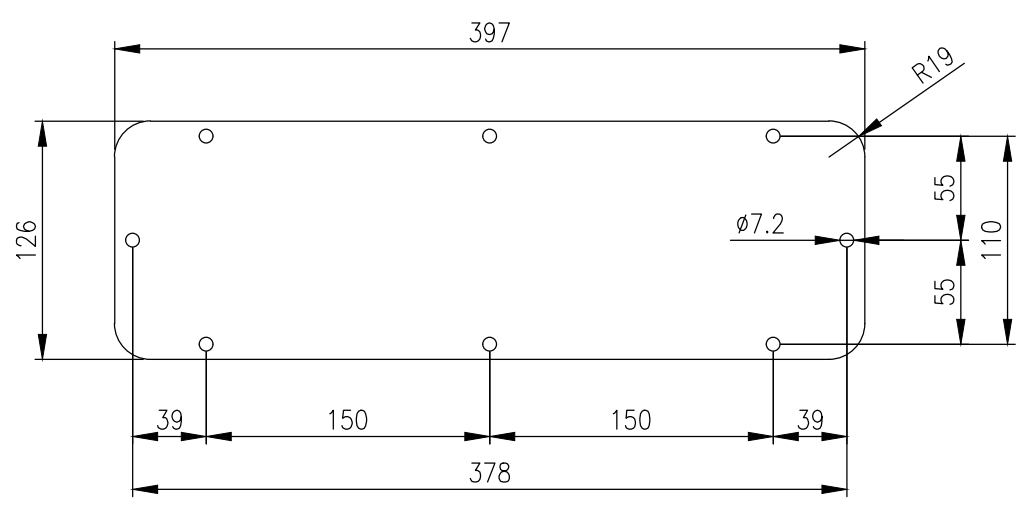
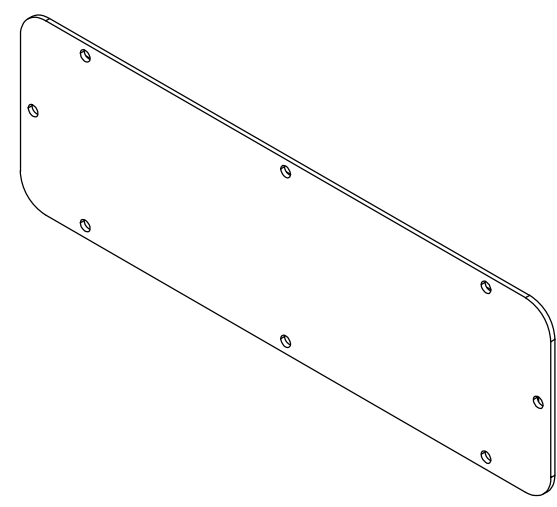
TOP VIEW



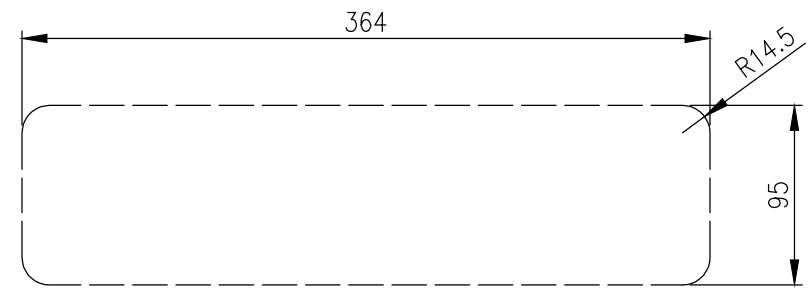
FRONT VIEW



SIDE VIEW



BOTTOM VIEW



OPENING SIZE

MATERIAL
 BODY: 3.0mm BRASS
 MASS: 1.4Kg.

© IP ENCLOSURES 2026.
 THIS DRAWING SHALL NOT BE COPIED OR REPRODUCED
 WITHOUT AUTHORISATION FROM IP ENCLOSURES.
 www.ipenclosures.com.au

Itemref	Quantity	Title/Name, designation, material, dimension etc			Article No./Reference	
IP	1	397Wx126D BRASS GLAND PLATE	IP-GPB3-3	05/05/26	05/05/26	1:4
Designed by		Checked by	Approved by - date	Filename	Date	Scale
IP		IP	05/05/26	IP-GPB3-3	05/05/26	1:4
IP Enclosures			397Wx126D BRASS GLAND PLATE		Edition	Sheet
			IP-GPB3-3		0	1/1