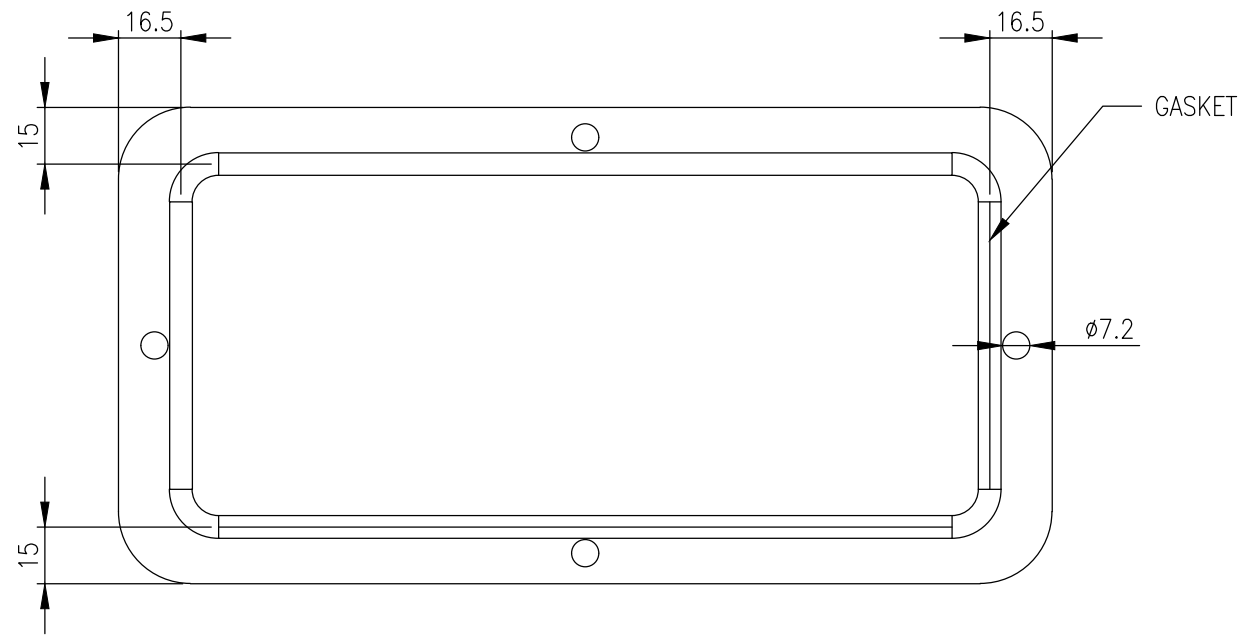
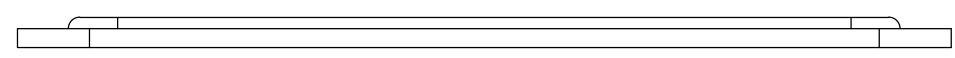
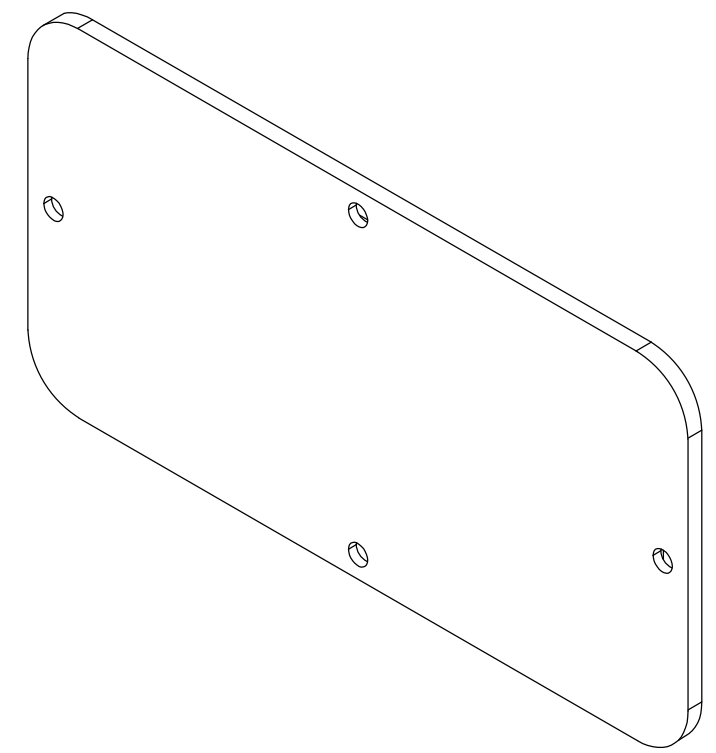


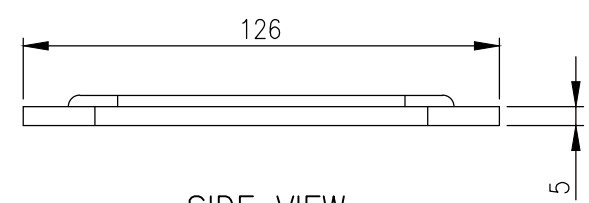
| | | | | |
|-------|------------------|------|-----------|---------|
| RevNo | Revision note | Date | Signature | Checked |
| 0 | GENERAL REVISION | | IP | IP |



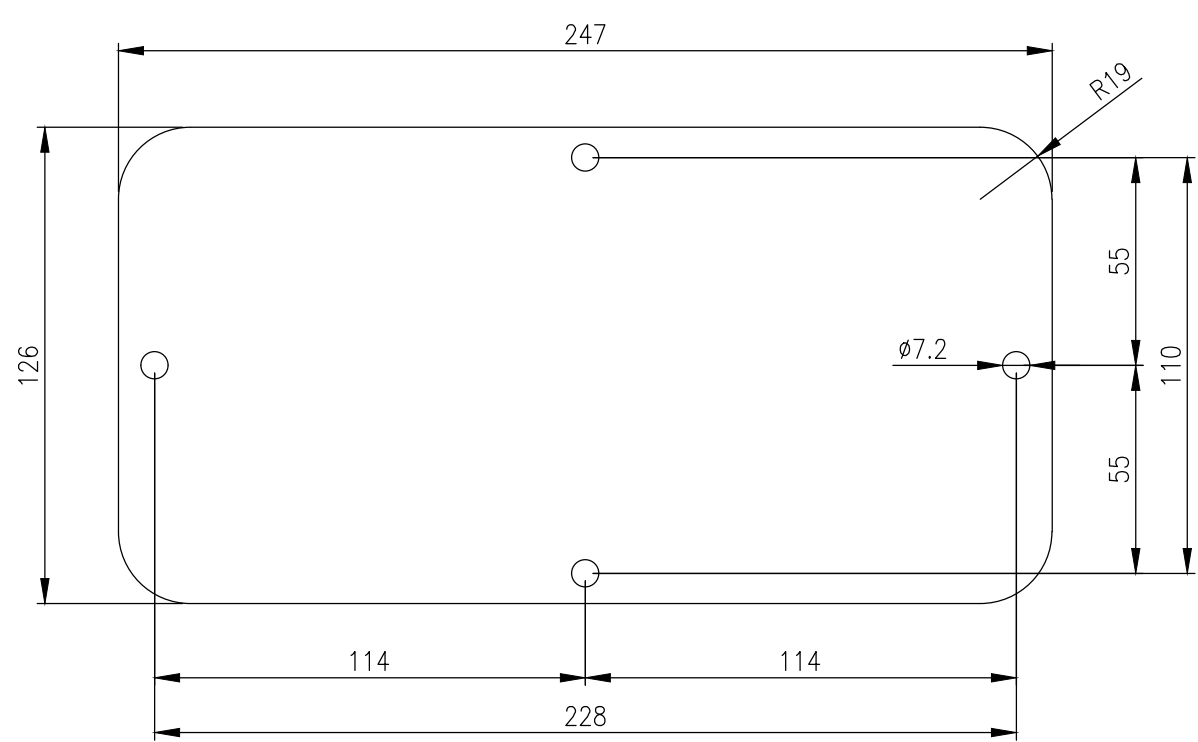
TOP VIEW



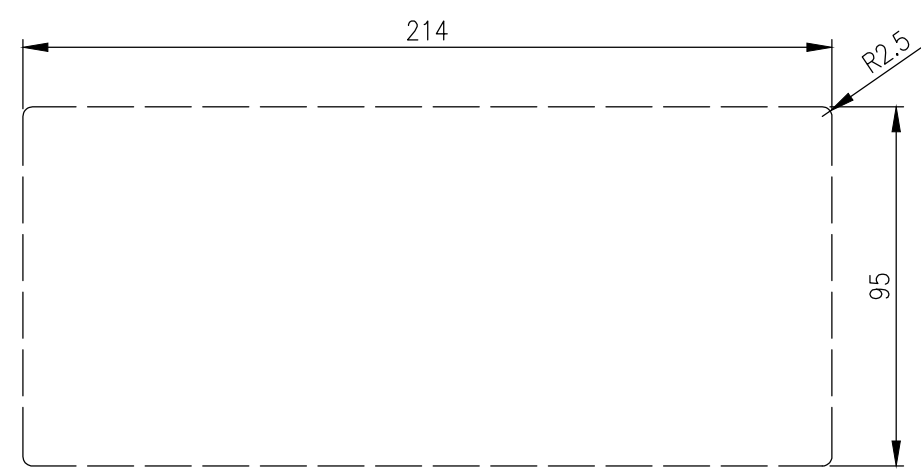
FRONT VIEW



SIDE VIEW



BOTTOM VIEW



OPENING SIZE

MATERIAL
 BODY: 5.0mm MARINE GRADE ALUMINIUM 5754-H111
 MASS: 0.5Kg.

© IP ENCLOSURES 2026.
 THIS DRAWING SHALL NOT BE COPIED OR REPRODUCED
 WITHOUT AUTHORISATION FROM IP ENCLOSURES.
 www.ipenclosures.com.au

| | | | |
|-------------|------------|--|-----------------------|
| Itemref | Quantity | Title/Name, designation, material, dimension etc | Article No./Reference |
| IP | 1 | 247Wx126D ALUMINIUM GLAND PLATE | IP-GPA5-2 |
| Designed by | Checked by | Approved by - date | Filename |
| IP | IP | 06/05/26 | IP-GPA5-2 |
| Date | Scale | Edition | Sheet |
| 06/05/26 | 1:2 | 0 | 1/1 |