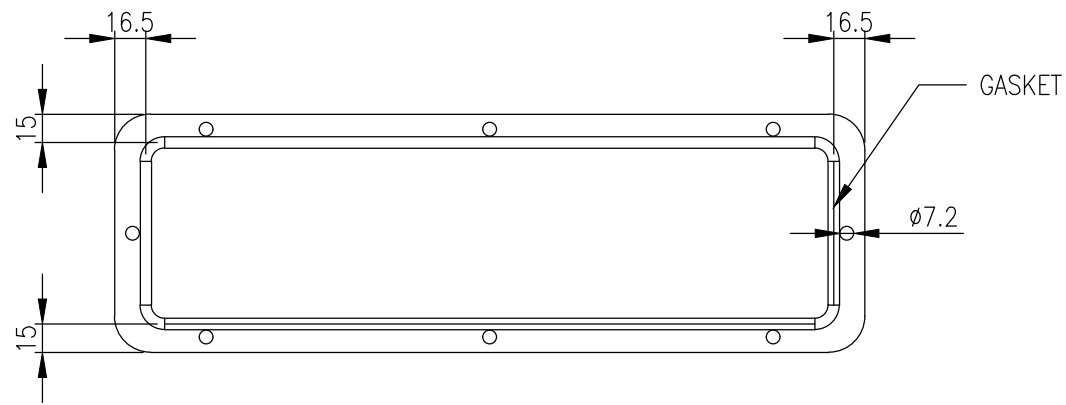


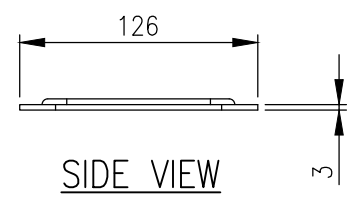
RevNo	Revision note	Date	Signature	Checked
0	GENERAL REVISION		IP	IP



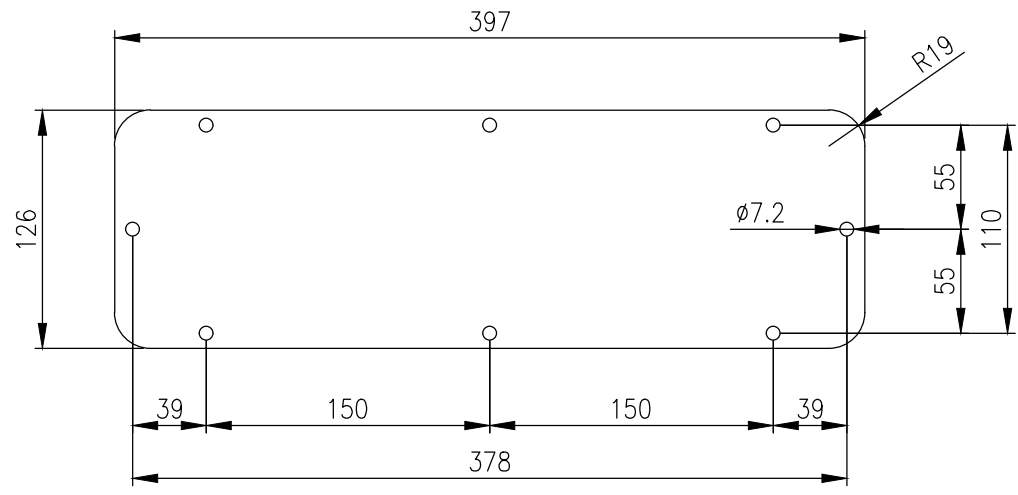
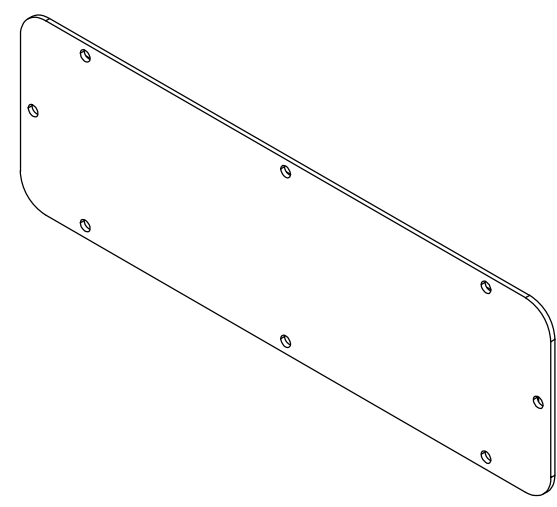
TOP VIEW



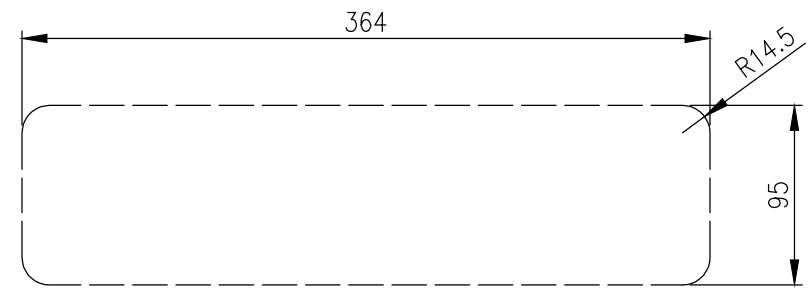
FRONT VIEW



SIDE VIEW



BOTTOM VIEW



OPENING SIZE

MATERIAL
 BODY: 3.0mm MARINE GRADE ALUMINIUM 5754-H111
 MASS: 0.5Kg.

© IP ENCLOSURES 2026.
 THIS DRAWING SHALL NOT BE COPIED OR REPRODUCED
 WITHOUT AUTHORISATION FROM IP ENCLOSURES.
 www.ipenclosures.com.au

Itemref	Quantity	Title/Name, designation, material, dimension etc			Article No./Reference	
IP	1	397Wx126D ALUMINIUM GLAND PLATE	IP-GPA3-3	06/05/26	06/05/26	Scale 1:4
Designed by IP		Checked by IP	Approved by - date 06/05/26	Filename IP-GPA3-3	Date 06/05/26	Scale 1:4
IP Enclosures			Edition 0		Sheet 1/1	