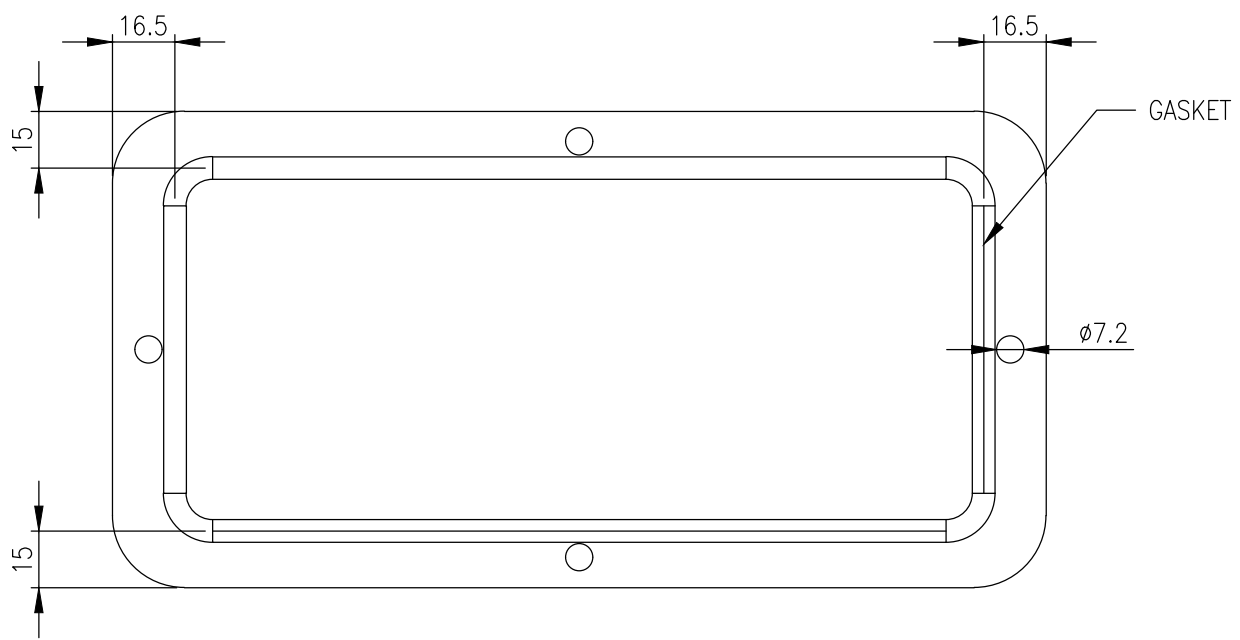
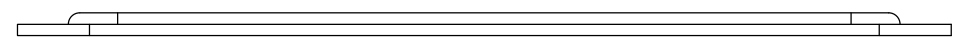


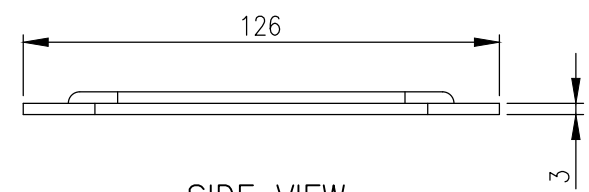
RevNo	Revision note	Date	Signature	Checked
0	GENERAL REVISION		IP	IP



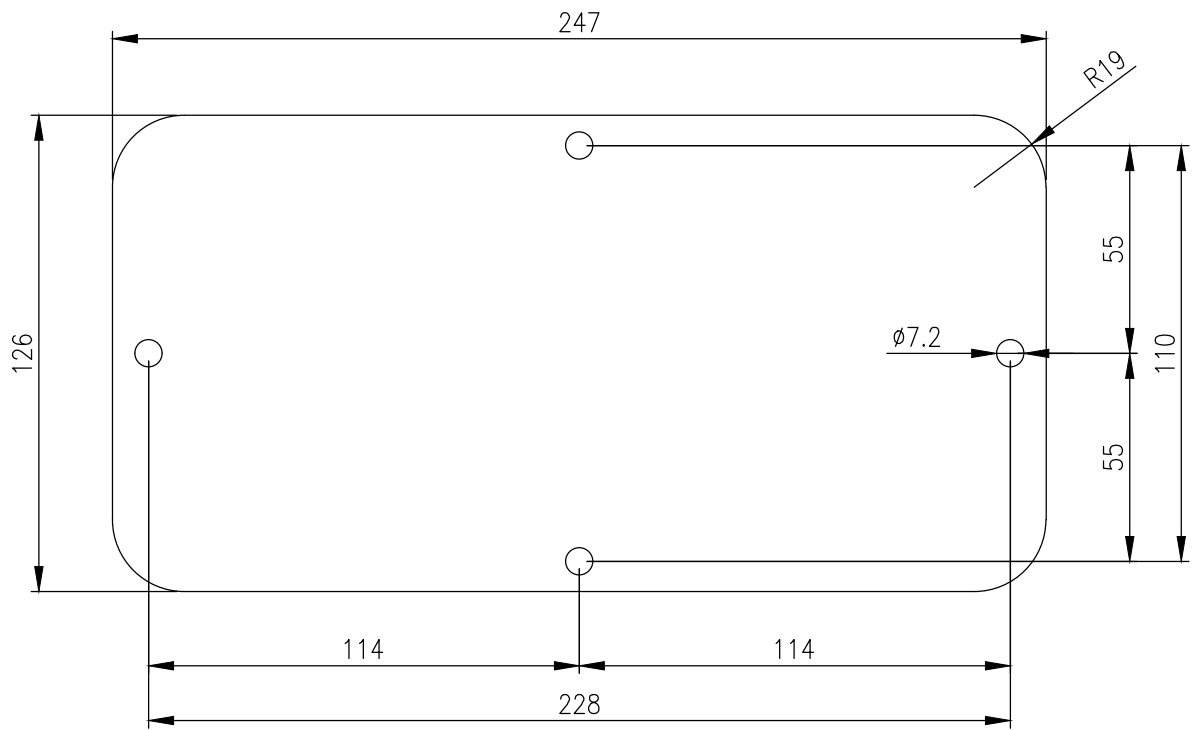
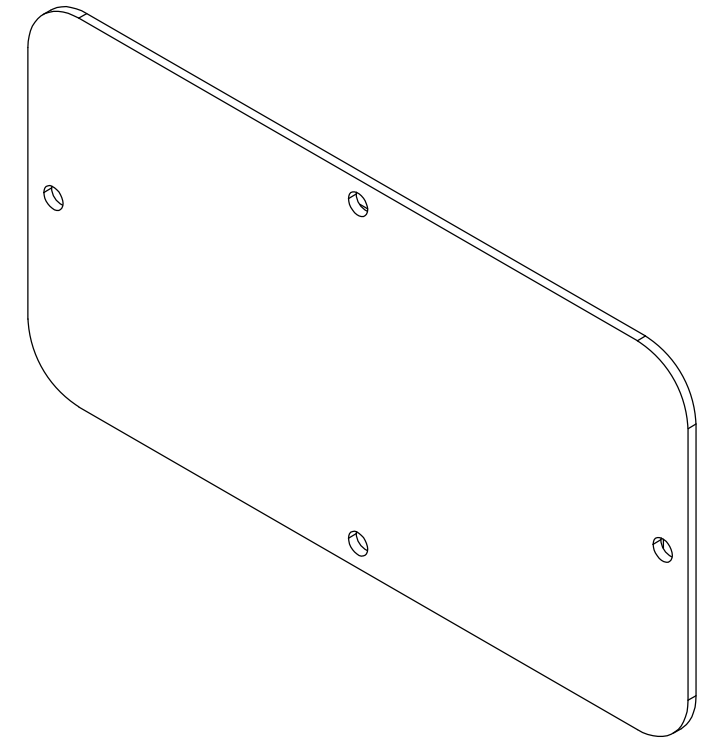
TOP VIEW



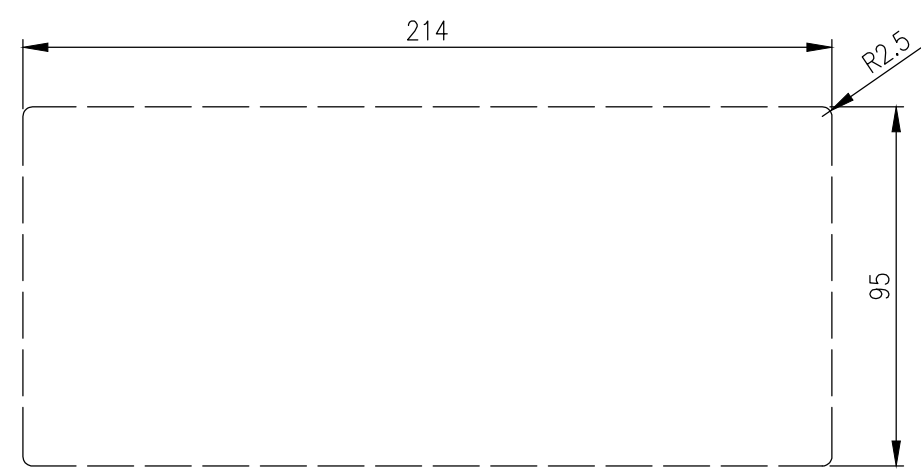
FRONT VIEW



SIDE VIEW



BOTTOM VIEW



OPENING SIZE

MATERIAL
 BODY: 3.0mm MARINE GRADE ALUMINIUM 5754-H111
 MASS: 0.3Kg.

© IP ENCLOSURES 2026.
 THIS DRAWING SHALL NOT BE COPIED OR REPRODUCED
 WITHOUT AUTHORISATION FROM IP ENCLOSURES.
 www.ipenclosures.com.au

Itemref	Quantity	Title/Name, designation, material, dimension etc	Article No./Reference
IP	1	247Wx126D ALUMINIUM GLAND PLATE	IP-GPA3-2
Designed by	Checked by	Approved by - date	Filename
IP	IP	06/05/26	IP-GPA3-2
Date	Scale	Edition	Sheet
06/05/26	1:2	0	1/1

