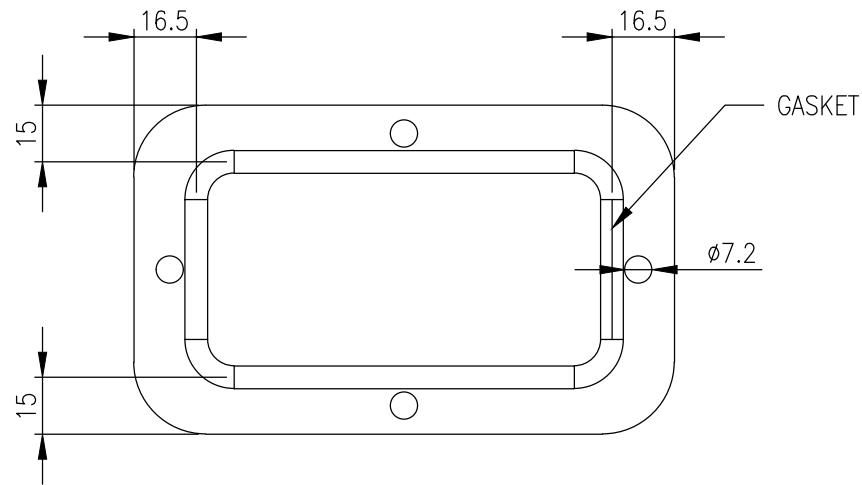
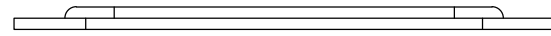


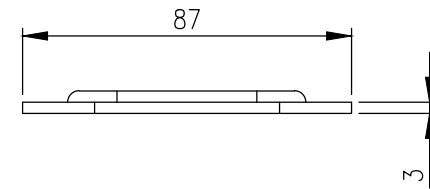
RevNo	Revision note	Date	Signature	Checked
0	GENERAL REVISION		IP	IP



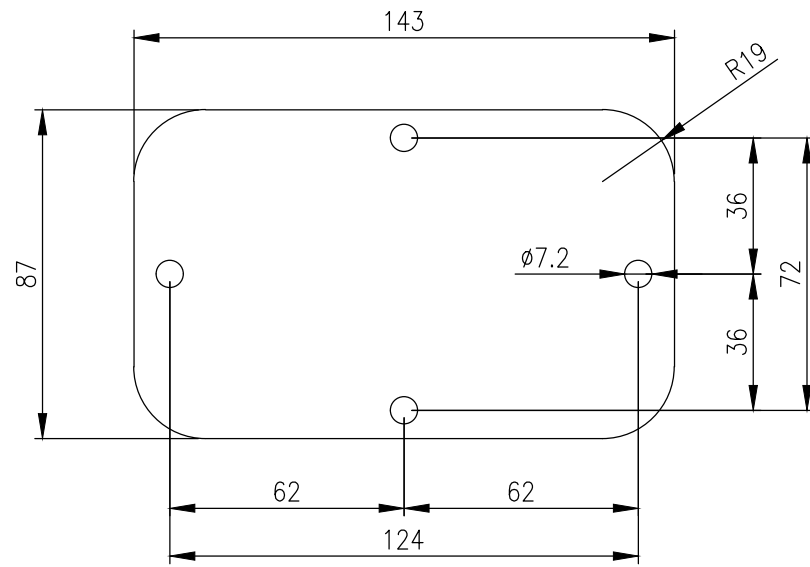
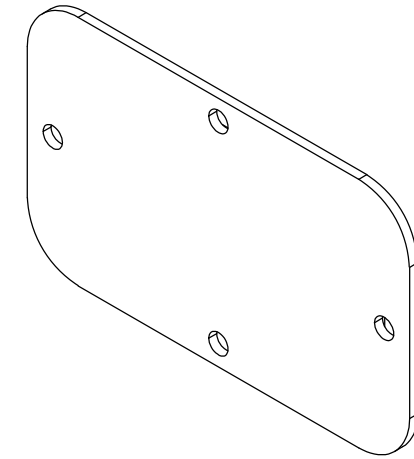
TOP VIEW



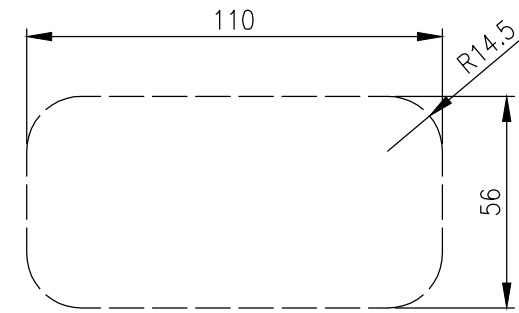
FRONT VIEW



SIDE VIEW



BOTTOM VIEW



OPENING SIZE

MATERIAL
 BODY: 3.0mm MARINE GRADE ALUMINIUM 5754-H111
 MASS: 0.12Kg.

© IP ENCLOSURES 2026.
 THIS DRAWING SHALL NOT BE COPIED OR REPRODUCED
 WITHOUT AUTHORISATION FROM IP ENCLOSURES.
 www.ipenclosures.com.au

Itemref	Quantity	Title/Name, designation, material, dimension etc			Article No./Reference	
Designed by IP	Checked by IP	Approved by - date 06/05/26	Filename IP-GPA3-1	Date 06/05/26	Scale 1:2	
			14.3Wx87D ALUMINIUM GLAND PLATE			
			IP-GPA3-1	Edition 0	Sheet 1/1	