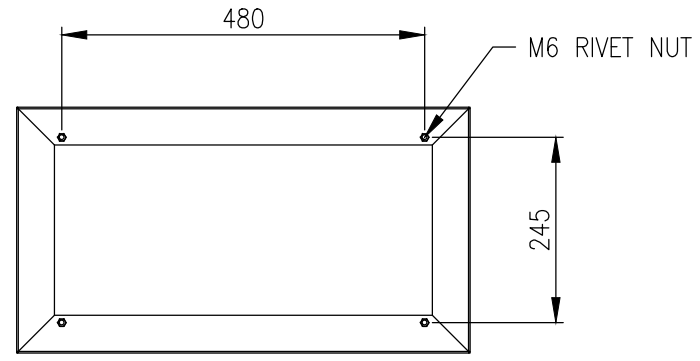
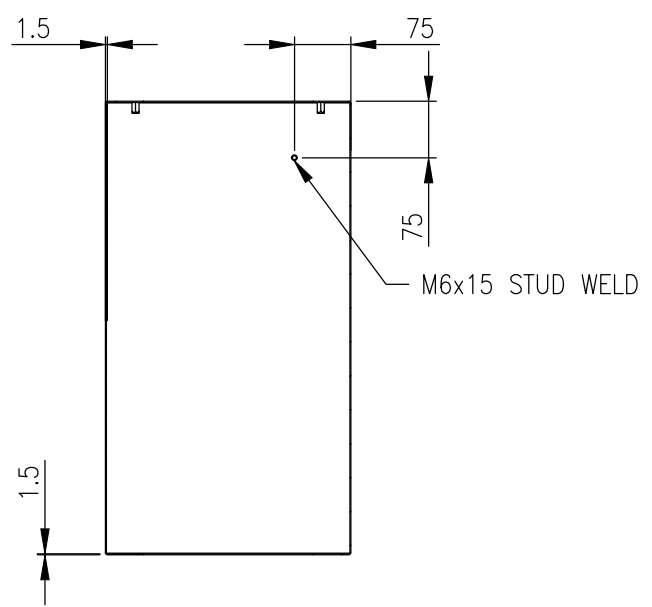


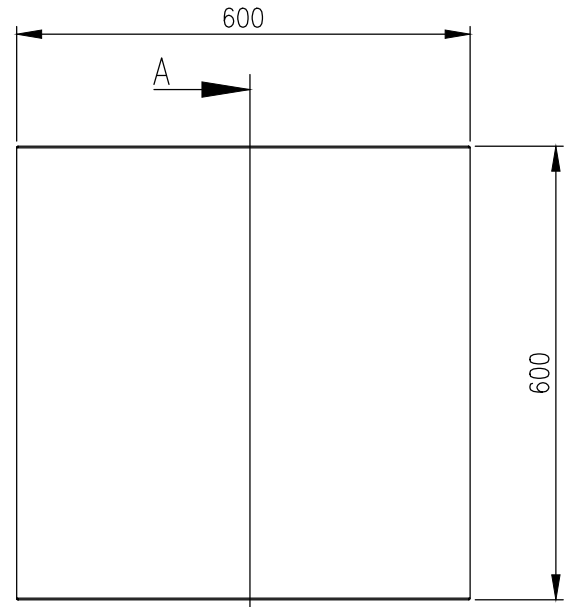
RevNo	Revision note	Date	Signature	Checked
	GENERAL REVISION		IP	IP



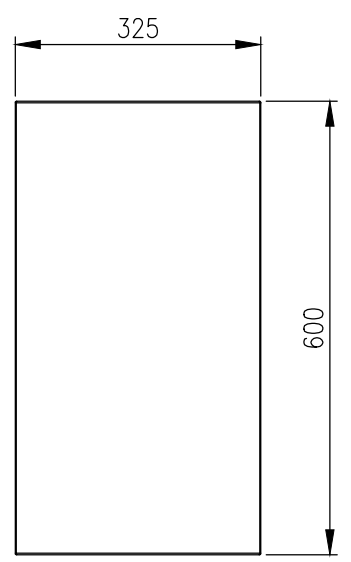
TOP VIEW



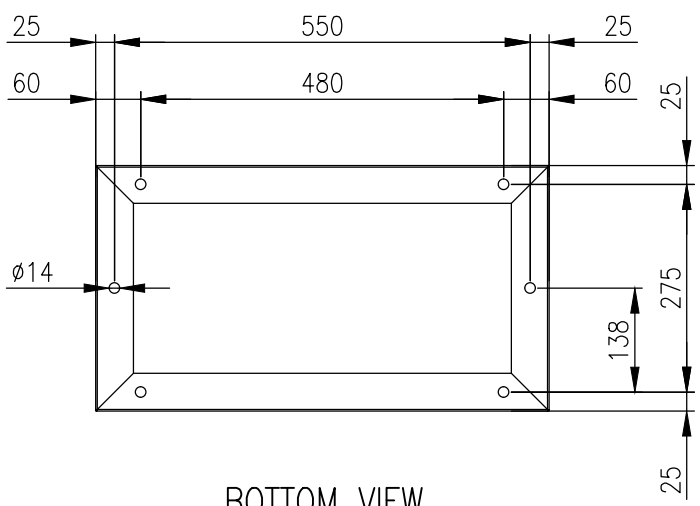
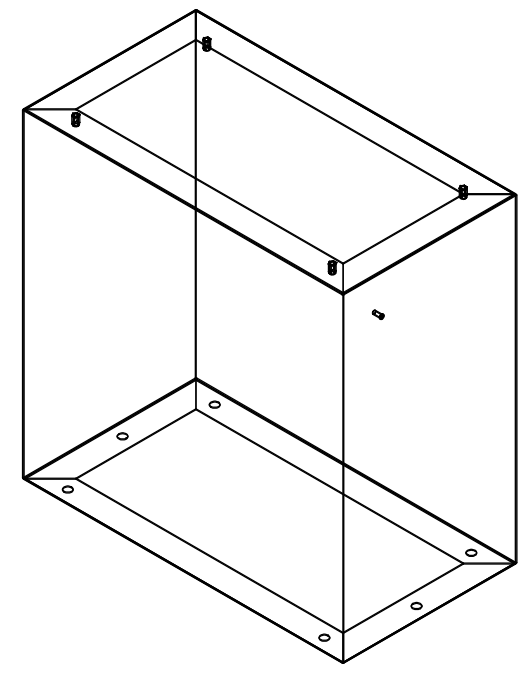
SECTION A-A



FRONT VIEW



SIDE VIEW



BOTTOM VIEW

MATERIAL
 BODY: 1.5mm GALVANISED STEEL SHEET
 SURFACE TREATMENT: POWDER-COAT 80-120micron
 COLOUR: T33 SMOKE BLUE

MASS: 15Kg.

STANDARD: IEC/EN62208, IEC/EN/AS60529

© IP ENCLOSURES 2026.
 THIS DRAWING SHALL NOT BE COPIED OR REPRODUCED
 WITHOUT AUTHORISATION FROM IP ENCLOSURES.
 www.ipenclosures.com.au

Itemref	Quantity	Title/Name, designation, material, dimension etc	Article No./Reference
Designed by IP	Checked by IP	Approved by - date 04/05/26	Filename IP-FCBASE6032-133 Date 04/05/26 Scale 1:10
		600Hx600Wx325D STEEL PEDESTAL BASE IP-FCBASE6032-T33 Edition 0 Sheet 1/1	