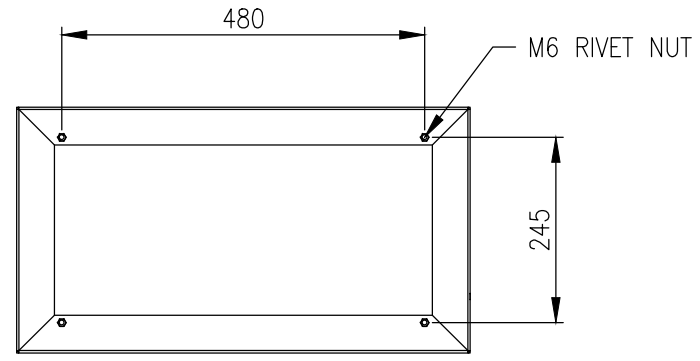
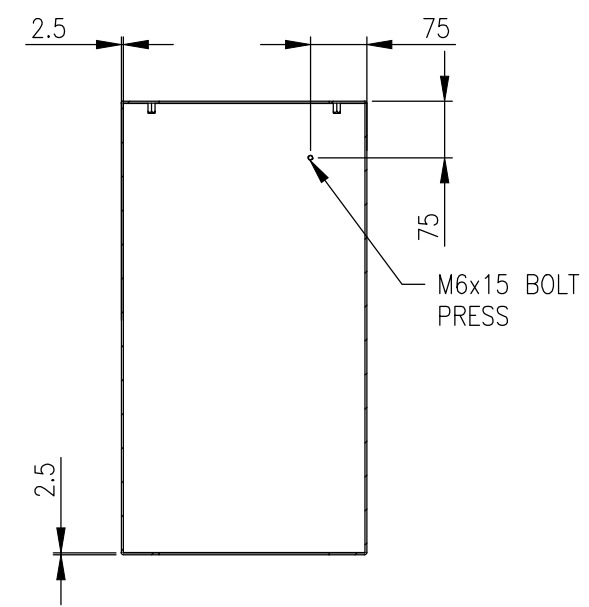


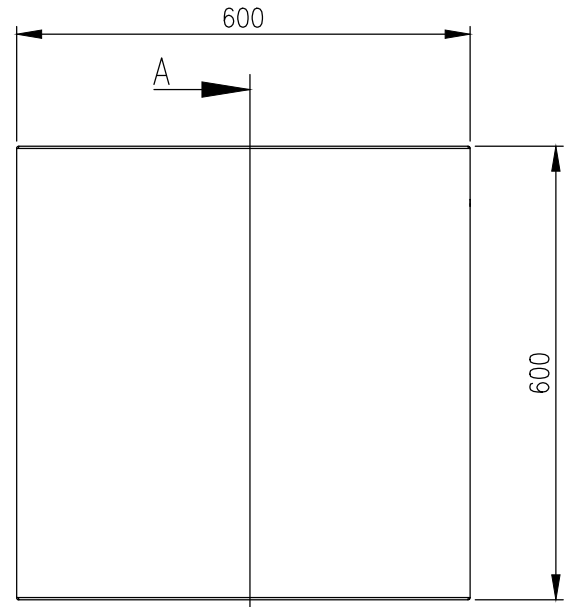
RevNo	Revision note	Date	Signature	Checked
	GENERAL REVISION		IP	IP



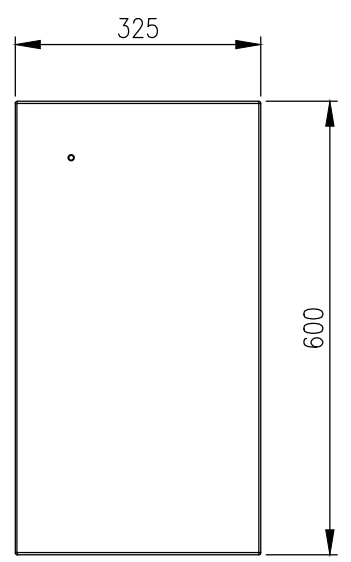
TOP VIEW



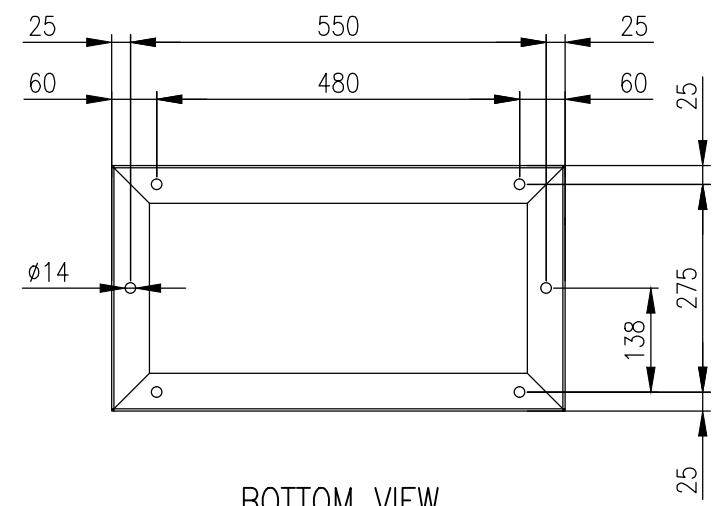
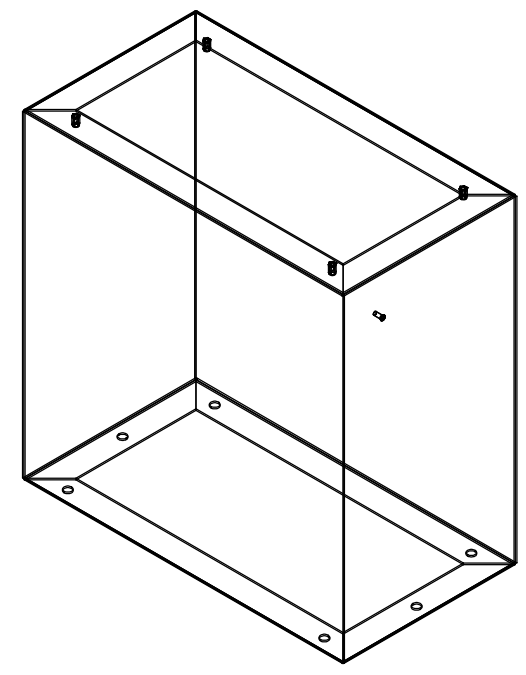
SECTION A-A



FRONT VIEW



SIDE VIEW



BOTTOM VIEW

**MATERIAL**  
 BODY: 2.5mm MARINE GRADE ALUMINIUM 5754-H111  
 SURFACE TREATMENT: POWDER-COAT 80-120micron  
 COLOUR: T33 SMOKE BLUE

**MASS:** 7Kg.

**STANDARD:** IEC/EN62208, IEC/EN/AS60529

© IP ENCLOSURES 2026.  
 THIS DRAWING SHALL NOT BE COPIED OR REPRODUCED  
 WITHOUT AUTHORISATION FROM IP ENCLOSURES.  
 www.ipenclosures.com.au

Itemref	Quantity	Title/Name, designation, material, dimension etc	Article No./Reference
Designed by IP	Checked by IP	Approved by - date 04/05/26	Filename IP-FCBASE6032-T33
Date 04/05/26		Scale 1:10	
Edition 0		Sheet 1/1	

600Hx600Wx325D ALUMINIUM PEDESTAL BASE  
 IP-FCBASE6032-T33