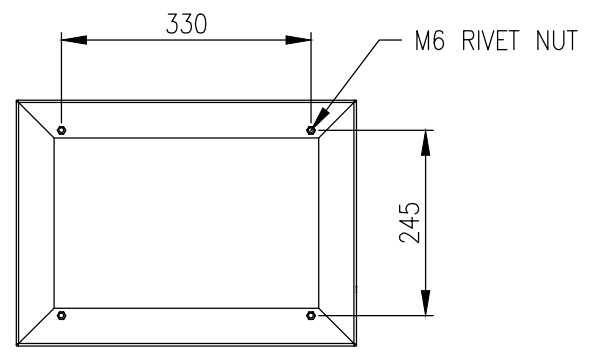
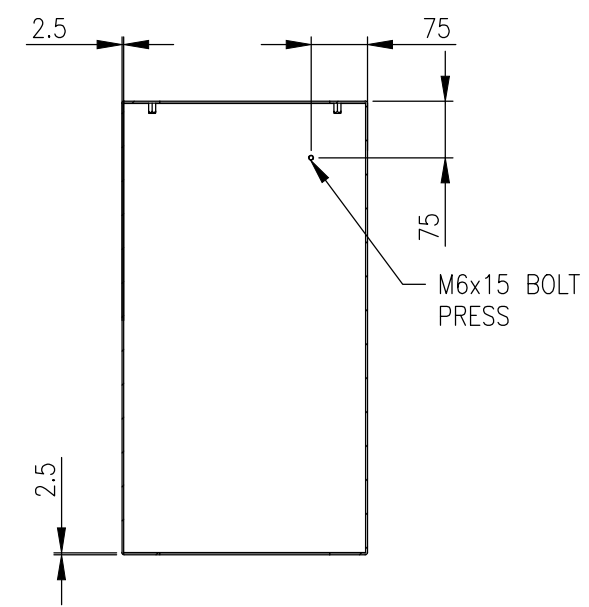


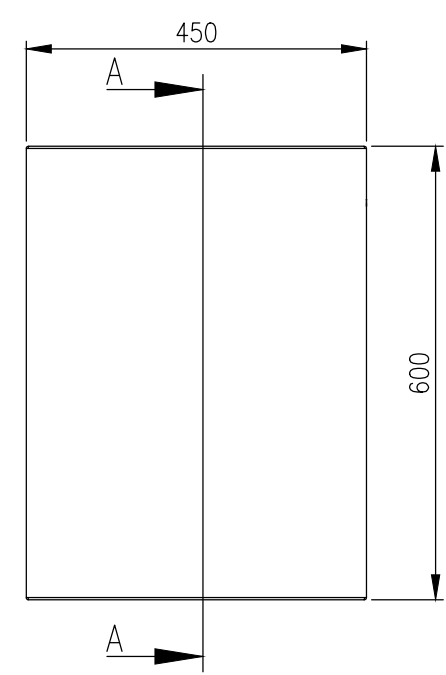
| | | | | |
|-------|------------------|------|-----------|---------|
| RevNo | Revision note | Date | Signature | Checked |
| | GENERAL REVISION | | IP | IP |



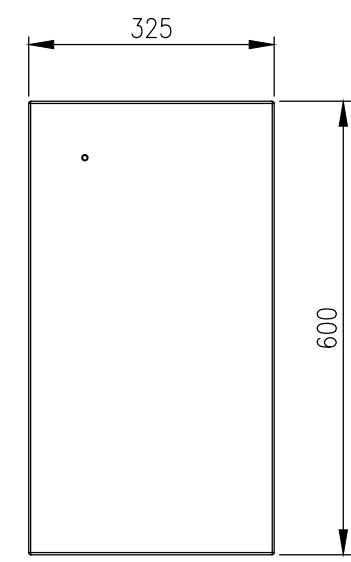
TOP VIEW



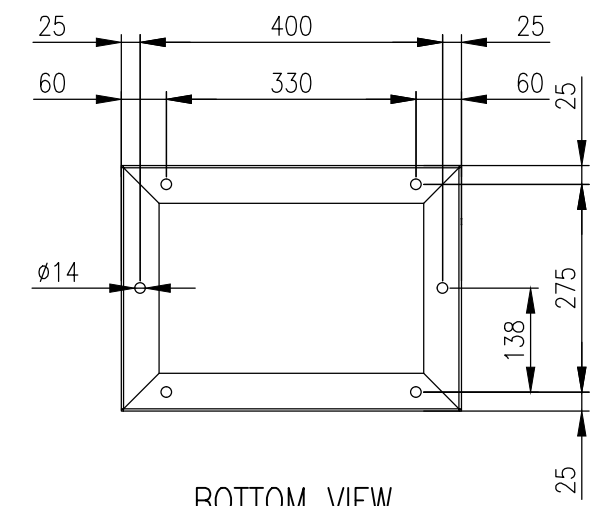
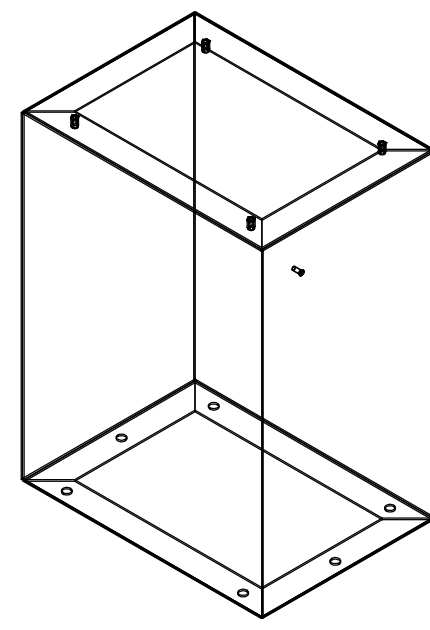
SECTION A-A



FRONT VIEW



SIDE VIEW



BOTTOM VIEW

MATERIAL
 BODY: 2.5mm MARINE GRADE ALUMINIUM 5754-H111
 SURFACE TREATMENT: POWDER-COAT 80-120micron
 COLOUR: T33 SMOKE BLUE

MASS: 7Kg.

STANDARD: IEC/EN62208, IEC/EN/AS60529

© IP ENCLOSURES 2026.
 THIS DRAWING SHALL NOT BE COPIED OR REPRODUCED
 WITHOUT AUTHORISATION FROM IP ENCLOSURES.
 www.ipenclosures.com.au

| | | | |
|-------------------|------------------|---|---|
| Itemref | Quantity | Title/Name, designation, material, dimension etc | Article No./Reference |
| Designed by IP | Checked by IP | Approved by - date 01/05/26 | Filename IP-FCABASE4532-133 Date 01/05/26 Scale 1:10 |
| | | 600Hx450Wx325D ALUMINIUM PEDESTAL BASE IP-FCABASE4532-133 Edition 0 Sheet 1/1 | |