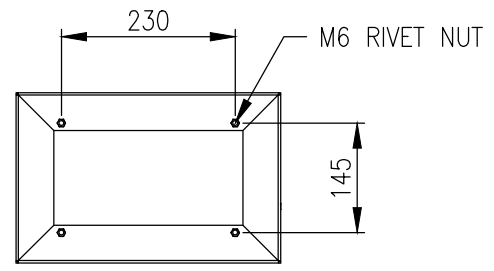
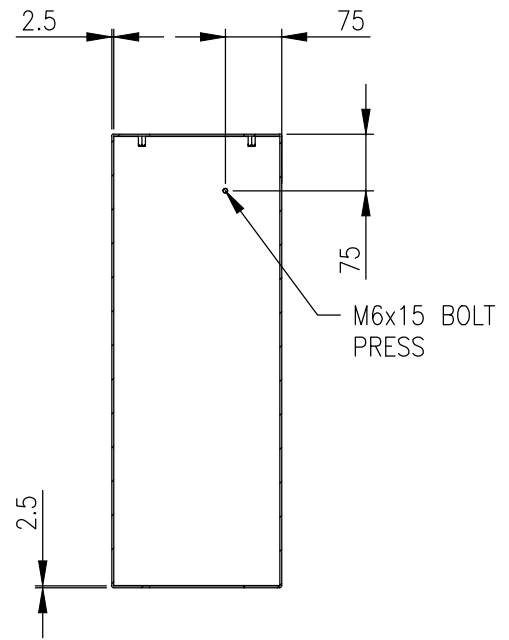


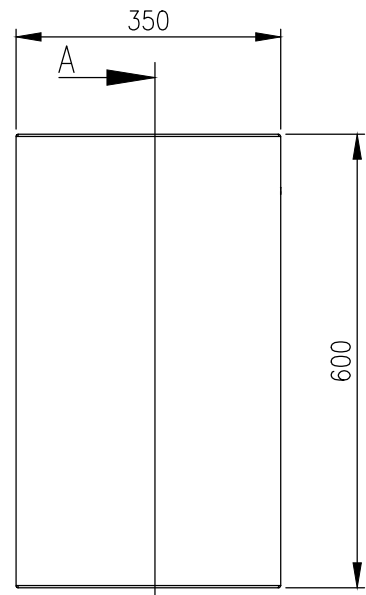
RevNo	Revision note	Date	Signature	Checked
	GENERAL REVISION		IP	IP



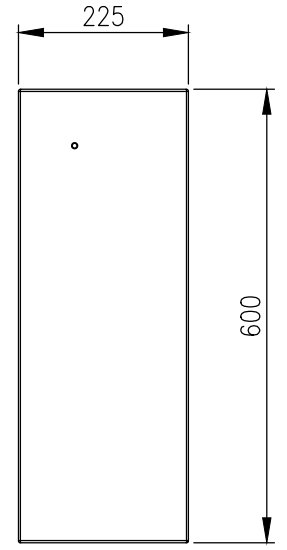
TOP VIEW



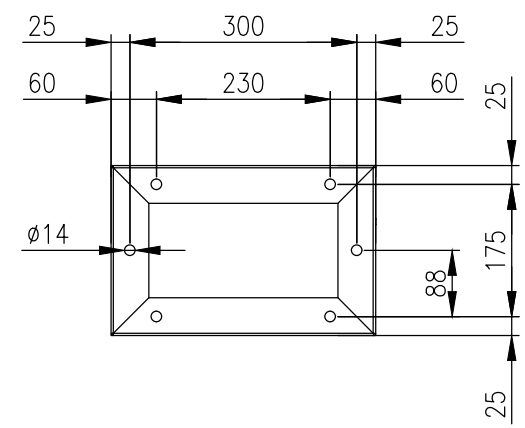
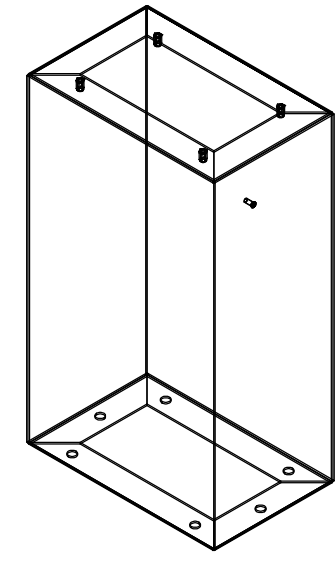
SECTION A-A



FRONT VIEW



SIDE VIEW



BOTTOM VIEW

**MATERIAL**  
 BODY: 2.5mm MARINE GRADE ALUMINIUM 5754-H111  
 SURFACE TREATMENT: POWDER-COAT 80-120micron  
 COLOUR: T33 SMOKE BLUE

**MASS:** 6Kg.

**STANDARD:** IEC/EN62208, IEC/EN/AS60529

© IP ENCLOSURES 2026.  
 THIS DRAWING SHALL NOT BE COPIED OR REPRODUCED  
 WITHOUT AUTHORISATION FROM IP ENCLOSURES.  
 www.ipenclosures.com.au

Itemref	Quantity	Title/Name, designation, material, dimension etc	Article No./Reference
IP	1	600Hx350Wx225D ALUMINIUM PEDESTAL BASE	IP-FCABASE3522-T33
Designed by	Checked by	Approved by - date	Filename Date Scale
IP	IP	04/05/26	IP-FCABASE3522-T33 04/05/26 1:10
Edition			Sheet
0			1/1