



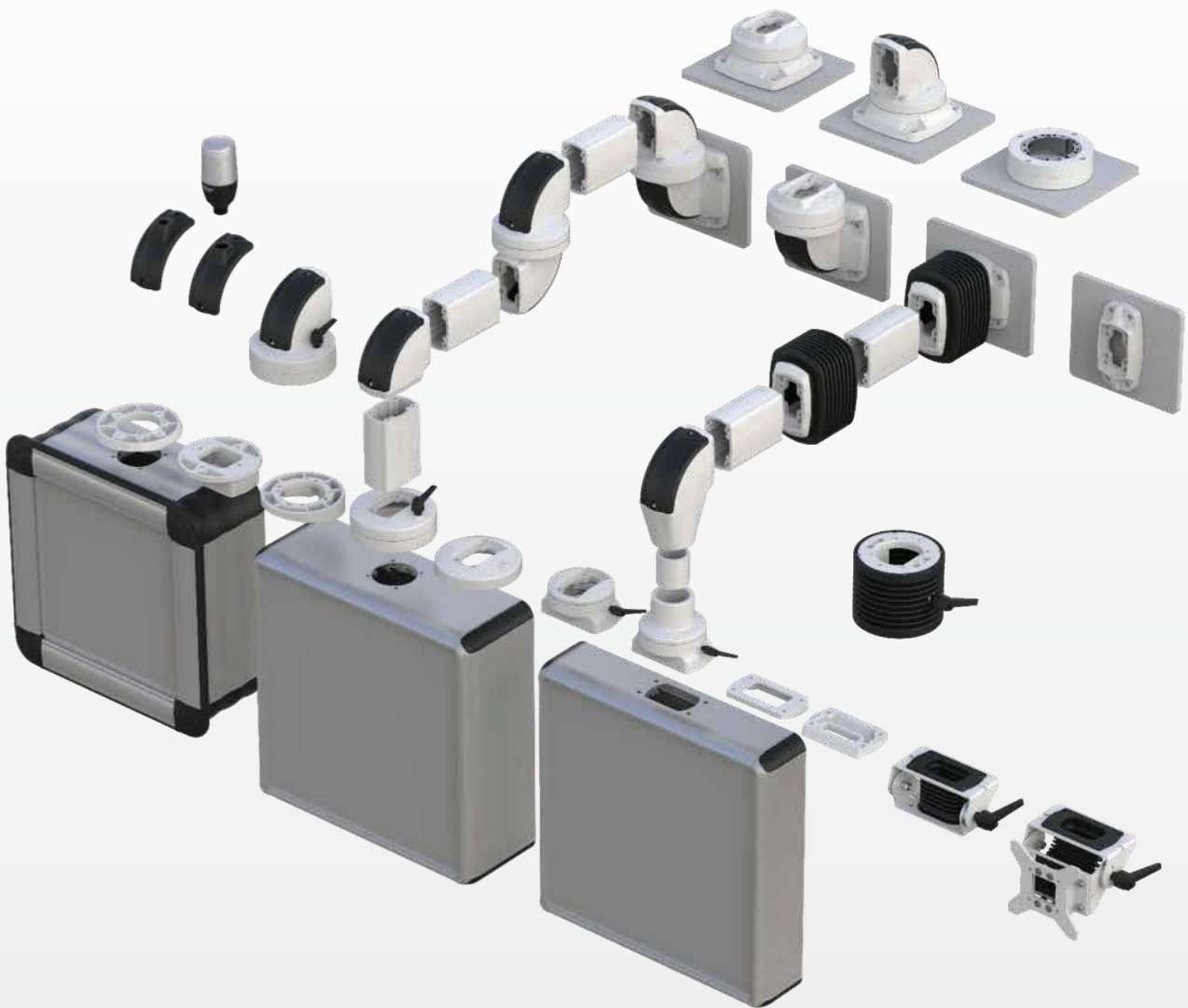
PRODUCT BROCHURE

Support Arm Systems

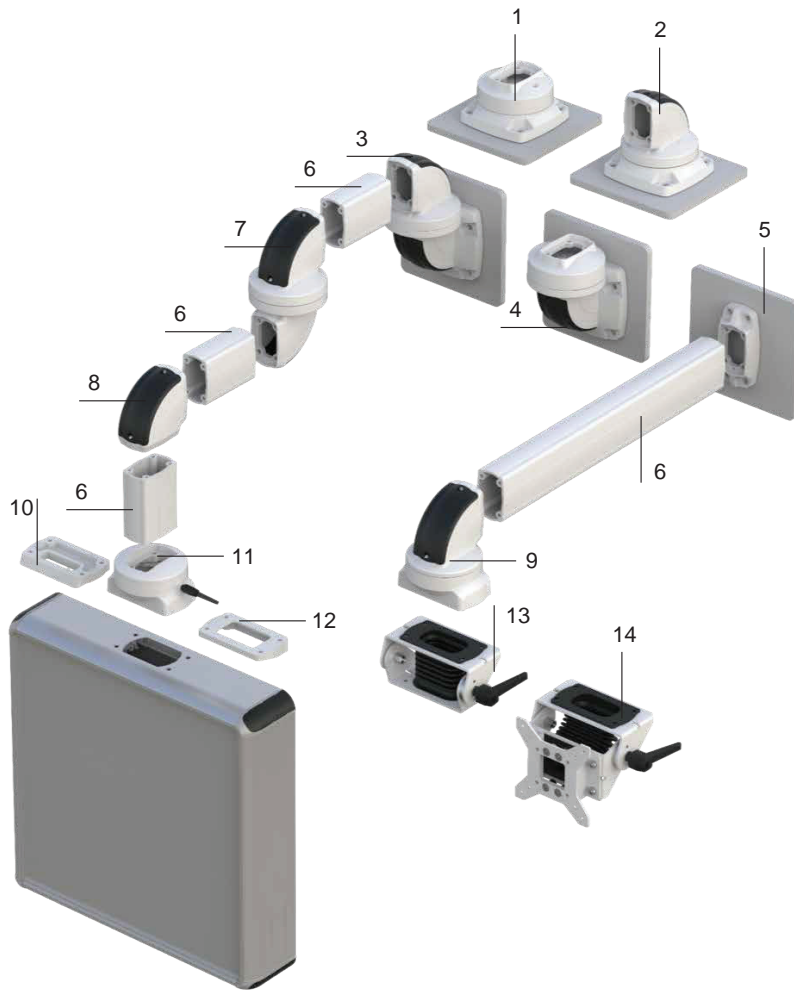
Support Arm Systems

Marine Grade Aluminium | Powder Coated

045 - Light Duty | 060 - Medium Duty | 120 - Heavy Duty

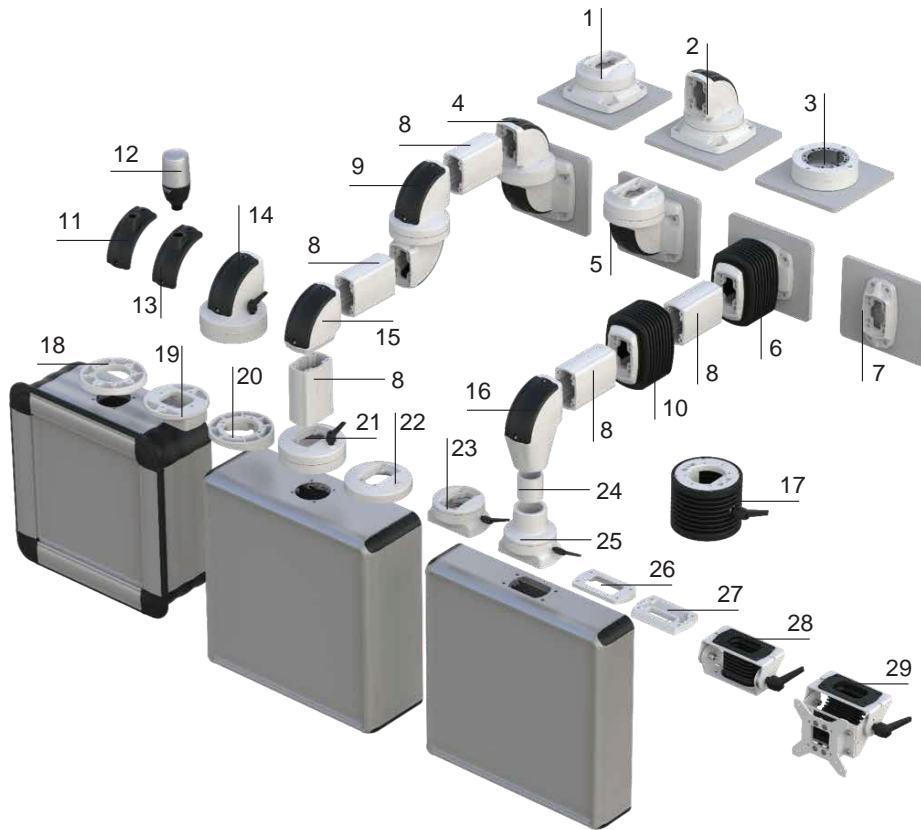


IP Enclosures provide support arm systems for HMI enclosures designed for ease of assembly and operator accessibility. Support arms enable safe operator access to HMI's and enable strategic positioning of visual display outputs.



- | | | |
|----|----------------|--|
| 1 | IP-045.610 | Rotatable Top Mounted Vertical Outlet |
| 2 | IP-045.600 | Rotatable Top Mounted 90° Angle Joint |
| 3 | IP-045.700 | Rotatable Wall-Mounted Hinge Horizontal Outlet |
| 4 | IP-045.710 | Rotatable Wall-Mounted Hinge Vertical Outlet |
| 5 | IP-045.800 | Wall-Socket Mounting Bracket |
| 6 | IP-045 PROFILE | Support Profile |
| 7 | IP-045.500 | Rotatable Intermediate Hinge |
| 8 | IP-045.420 | 90° Angle Piece |
| 9 | IP-045.400 | Rotatable Panel 90° Angle Coupling |
| 10 | IP-060.832 | ECO 060 Panel Adaptor |
| 11 | IP-045.830 | Rotatable Panel Adaptor Vertical |
| 12 | IP-060.831 | 10 ° Panel Adaptor |
| 13 | IP-060.835 | Panel Tilting Adaptor Moving |
| 14 | IP-060.836 | Vesa Panel Tilting Adaptor Moving |

Product	Model No	Description	Rotatable Tilting	Fixed	Length mm	Weight gr	Color No Ral No	Package
	IP-045.025	045 Support Profile – 250 mm	-	●	250	500	7035	1
	IP-045.050	045 Support Profile – 500 mm	-	●	500	1000	7035	1
	IP-045.075	045 Support Profile – 750 mm	-	●	750	1500	7035	1
	IP-045.100	045 Support Profile – 1000 mm	-	●	1000	2000	7035	1
	IP-045.125	045 Support Profile – 1250 mm	-	●	1250	2500	7035	1
	IP-045.150	045 Support Profile –1500 mm	-	●	1500	3000	7035	1
	IP-045.175	045 Support Profile – 1750 mm	-	●	1750	3500	7035	1
	IP-045.200	045 Support Profile – 2000 mm	-	●	2000	4000	7035	1
	IP-045.400	Rotatable Panel 90° Angle Coupling	●	-	-	1000	7035/7016	1
	IP-045.420	90° Angle Piece	-	●	-	365	7035/7016	1
	IP-045.500	Rotatable Intermediate Hinge	●	-	-	1725	7035/7016	1
	IP-045.600	Rotatable Top Mounted 90° Angle Joint	●	-	-	1700	7035/7016	1
	IP-045.610	Rotatable Top Mounted Vertical Outlet	●	-	-	1565	7035	1
	IP-045.700	Rotatable Wall-Mounted Hinge Horizontal Outlet	●	-	-	1920	7035/7016	1
	IP-045.710	Rotatable Wall-Mounted Hinge Vertical Outlet	●	-	-	1770	7035/7016	1
	IP-045.800	Wall-Socket Mounting Bracket	-	●	-	180	7035	1
	IP-045.830	Rotatable Panel Adaptor Vertical	●	-	-	720	7035	1



1	IP-060.610	Rotatable Top Mounted Vertical Outlet	16	IP-060.825	060/Ø48 Adaptor
2	IP-060.600	Rotatable Top Mounted 90° Angle Joint	17	IP-060.840	Ø130 mm Tilting Bellow
3	IP-060.321	Rotatable Panel Coupling	18	IP-060.315	TKP2000 Panel Coupling
4	IP-060.700	Rotatable Wall-Mounted Hinge Horizontal Outlet	19	IP-060.834	Ø130 mm 10° Panel Adaptor
5	IP-060.710	Rotatable Wall-Mounted Hinge Vertical Outlet	20	IP-060.833	Ø130 mm Panel Adaptor
6	IP-060.705	Steel Wall Mounted Module – With Bellow	21	IP-060.320	Ø130 mm Rotatable Panel Coupling
7	IP-060.800	Wall / Socket Mounting Bracket	22	IP-060.310	Ø130 mm Panel Coupling
8	IP-060 PROFILE	Support Profile	23	IP-060.830	Rotatable Panel Adaptor Vertical
9	IP-060.500	Rotatable Intermediate Hinge	24	IP-060.827	Ø48 mm Pipe Profile
10	IP-060.505	Steel Interconnection Module – With Bellow	25	IP-060.826	Ø48 mm Adaptor
11	IP-060.811	Warning Lamp Cover (M22)	26	IP-060.831	10 ° Panel Adaptor
12	-	Warning Lamps	27	IP-060.832	ECO 060 Panel Adaptor
13	IP-060.810	Warning Lamp Cover (M18)	28	IP-060.835	Panel Tilting Adaptor Moving
14	IP-060.400	Rotatable Panel 90° Angle Coupling	29	IP-060.836	Vesa Tilting Adaptor Moving
15	IP-060.420	90° Angle Piece			

MEDIUM DUTY

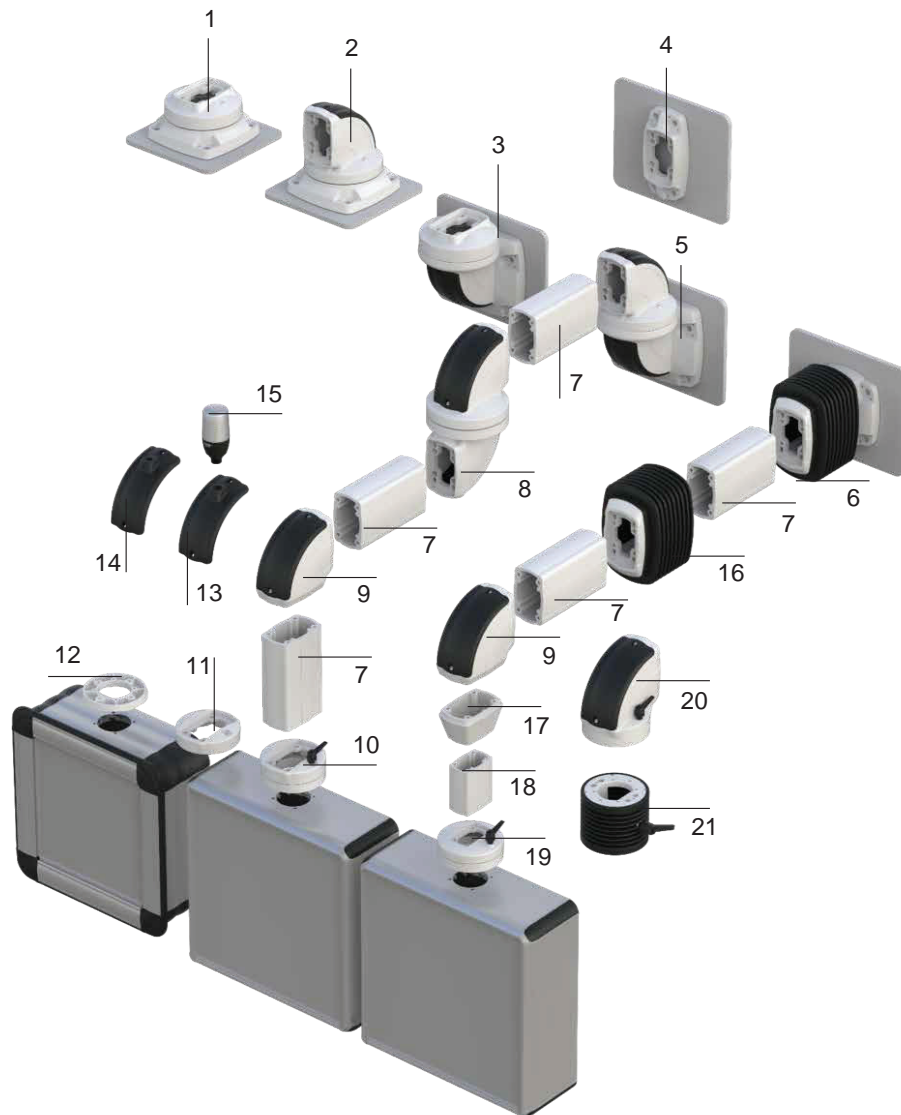
060

Product	Model No	Description	Rotatable Tilting	Fixed	Length mm	Weight gr	Color No Ral No	Package
	IP-060.025	060 Support Profile – 250 mm	-	●	250	1000	7035	1
	IP-060.050	060 Support Profile – 500 mm	-	●	500	2000	7035	1
	IP-060.075	060 Support Profile – 750 mm	-	●	750	3000	7035	1
	IP-060.100	060 Support Profile – 1000 mm	-	●	1000	4000	7035	1
	IP-060.125	060 Support Profile – 1250 mm	-	●	1250	5000	7035	1
	IP-060.150	060 Support Profile – 1500 mm	-	●	1500	6000	7035	1
	IP-060.175	060 Support Profile – 1750 mm	-	●	1750	7000	7035	1
	IP-060.200	060 Support Profile – 2000 mm	-	●	2000	8000	7035	1
	IP-060.310	Ø130 mm Panel Coupling	-	●	-	440	7035	1
	IP-060.315	Ø130 mm TKP2000 Panel Coupling	-	●	-	220	7035	1
	IP-060.320	Ø130 mm Rotatable Panel Coupling	●	-	-	1240	7035	1
	IP-060.321	Ø130 mm Rotatable Panel Coupling	●	-	-	1050	7035	1
	IP-060.400	Ø130 mm Rotatable Panel 90° Angle Coupling	●	-	-	1780	7035/7016	1
	IP-060.420	90° Angle Piece	-	●	-	640	7035/7016	1
	IP-060.500	Rotatable Intermediate Hinge	●	-	-	2060	7035/7016	1
	IP-060.505	Steel Interconnection Module With Bellow	●	-	-	2590	7035/7016	1
	IP-060.600	Rotatable Top Mounted 90° Angle Joint	●	-	-	2590	7035/7016	1
	IP-060.610	Rotatable Top Mounted Vertical Outlet	●	-	-	1950	7035/7016	1
	IP-060.700	Rotatable Wall-Mounted Hinge Horizontal Outlet	●	-	-	2550	7035/7016	1

MEDIUM DUTY

060

Product	Model No	Description	Rotatable Tilting	Fixed	Length mm	Weight gr	Color No Ral No	Package
	IP-060.705	Steel Wall Mounted Module With Bellow	●	-	-	3330	7035/7016	1
	IP-060.710	Rotatable Wall-Mounted Hinge Vertical Outlet	●	-	-	2280	7035/7016	1
	IP-060.800	Wall / Socket Mounting Bracket	-	●	-	320	7035/7016	1
	IP-060.810	Warning Lamp Cover (M22)	-	●	-	130	7016	1
	IP-060.811	Warning Lamp Cover (M18)	-	●	-	135	7016	1
	IP-060.825	060/Ø48 mm Adaptor	-	●	-	1000	7035/7016	1
	IP-060.826	Ø48 mm Adaptor	●	-	-	930	7035	1
	IP-060.827.025	Ø48 mm Pipe Profile	-	●	250	1000	7035	1
	IP-060.827.050	Ø48 mm Pipe Profile	-	●	500	2000	7035	1
	IP-060.827.075	Ø48 mm Pipe Profile	-	●	750	3000	7035	1
	IP-060.827.100	Ø48 mm Pipe Profile	-	●	1000	4000	7035	1
	IP-060.830	Rotatable Panel Adaptor Vertical	●	-	-	720	7035	1
	IP-060.831	10 ° Panel Adaptor	-	●	-	180	7035	1
	IP-060.832	ECO 060 Panel Adaptor	-	●	-	235	7035	1
	IP-060.833	Ø130 mm Panel Adaptor	-	●	-	700	7035	1
	IP-060.834	Ø130 mm 10 ° Panel Adaptor	-	●	-	360	7035	1
	IP-060.835	Panel Tilting Adaptor Moving	●	-	-	700	7035/7016	1
	IP-060.836	Vesa Tilting Adaptor Moving	●	-	-	1150	7035/7016	1
	IP-060.840	Ø130 mm Tilting Bellow	●	-	-	1140	7035/7016	1



1	IP-120.610	Rotatable Top Mounted Vertical Outlet	12	IP-060.315	Ø130 mm TKP2000 Panel Coupling
2	IP-120.600	Rotatable Top Mounted 90° Angle Joint	13	IP-120.810	Warning Lamp Cover (M22)
3	IP-120.710	Rotatable Wall-Mounted Hinge Vertical Outlet	14	IP-120.811	Warning Lamp Cover (M18)
4	IP-120.800	Wall/Socket Mounting Bracket	15	-	Warning Lamp
5	IP-120.700	Rotatable Wall-Mounted Hinge Horizontal Outlet	16	IP-120.505	Steel Interconnection Module – With Bellow
6	IP-120.705	Steel Wall Mounted Module – With Bellow	17	IP-120.820	120/060 Support Arm Adaptor
7	IP-120 PROFILE	Support Profile	18	IP-060 PROFILE	Support Profile
8	IP-120.500	Rotatable Intermediate Hinge	19	IP-060.320	Ø130 mm Rotatable Panel Coupling
9	IP-120.420	90° Angle Piece	20	IP-120.400	Ø130 mm Rotatable Panel 90° Angle Coupling
10	IP-120.320	Ø130 mm Rotatable Panel Coupling	21	IP-060.840	Ø130 mm Tilting Bellow
11	IP-120.310	Ø130 mm Panel Coupling			

Product	Model No	Description	Rotatable Tilting	Fixed	Length mm	Weight gr	Color No Ral No	Package
	IP-120.025	120 Support Profile – 250 mm	-	●	250	1625	7035	1
	IP-120.050	120 Support Profile – 500 mm	-	●	500	3250	7035	1
	IP-120.075	120 Support Profile – 750 mm	-	●	750	4875	7035	1
	IP-120.100	120 Support Profile – 1000 mm	-	●	1000	6500	7035	1
	IP-120.125	120 Support Profile – 1250 mm	-	●	1250	8125	7035	1
	IP-120.150	120 Support Profile – 1500 mm	-	●	1500	9750	7035	1
	IP-120.175	120 Support Profile – 1750 mm	-	●	1750	11375	7035	1
	IP-120.200	120 Support Profile – 2000 mm	-	●	2000	13000	7035	1
	IP-120.310	Ø130 mm Panel Coupling	-	●	-	490	7035	1
	IP-120.320	Ø130 mm Rotatable Panel Coupling	●	-	-	1300	7035	1
	IP-120.400	Ø130 mm Rotatable Panel 90° Angle Coupling	●	-	-	2400	7035/7016	1
	IP-120.420	90° Angle Piece	-	●	-	1650	7035/7016	1
	IP-120.500	Rotatable Intermediate Hinge	●	-	-	5630	7035/7016	1
	IP-120.505	Steel Interconnection Module With Bellow	●	-	-	6200	7035/7016	1
	IP-120.600	Rotatable Top Mounted 90° Angle Joint	●	-	-	5860	7035/7016	1
	IP-120.610	Rotatable Top Mounted Vertical Outlet	●	-	-	4780	7035/7016	1
	IP-120.700	Rotatable Wall-Mounted Hinge Horizontal Outlet	●	-	-	6500	7035/7016	1
	IP-120.705	Steel Wall Mounted Module – With Bellow	●	-	-	9500	7035/7016	1
	IP-120.710	Rotatable Wall-Mounted Hinge Vertical Outlet	●	-	-	5730	7035/7016	1
	IP-120.800	Wall/Socket Mounting Bracket	-	●	-	816	7035/7016	1
	IP-120.810	Warning Lamp Cover (M22)	-	●	-	290	7016	1
	IP-120.811	Warning Lamp Cover (M18)	-	●	-	290	7016	1
	IP-120.820	120/060 Support Arm Adaptor	-	●	-	500	7035	1
	IP-120.900	Height-Adjustable Support Arm Systems	●	-	-	13500	7035/7016	1



IP ENCLOSURES PTY LTD

ABN 17 168 921 319

Head Office: 19-27 Fred Chaplin Circuit, Bells Creek QLD 4551

sales@ipenclosures.com.au | www.ipenclosures.com.au

T: 1300 576 094 | + 61 7 5450 1489

GLOBAL DISTRIBUTION: UK Europe USA UAE NZ Asia-Pacific