

## COVER PANEL | VENTILATED | STEEL

2RU (To suit 19" Racks)

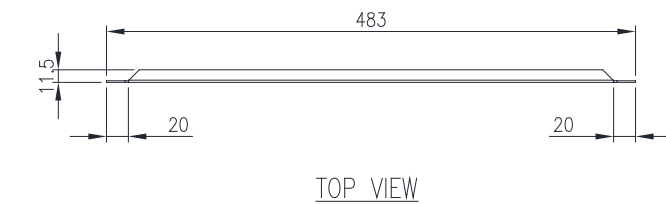
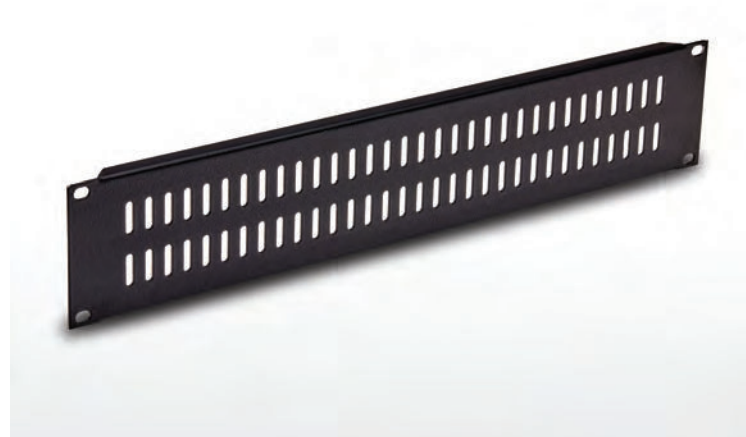
The IP Enclosures range of 19" rack-mounted DIN Rails, distribution panels and shelves provide flexibility to fit DIN electrical and control components into 19" racks.

**Standard:** Compatible with 19" Racks EIA-310-D, RoHS

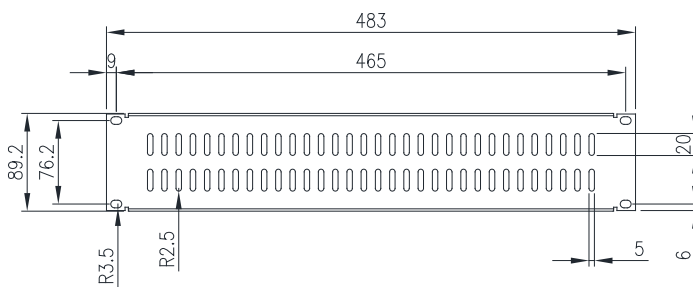
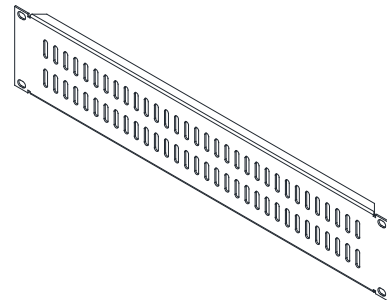
**Unit Size:** 2RU

### Slotted DIN Rail Material:

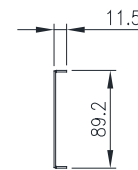
- Electrogalvanised steel 7.5 x 35 RoHS Compliant.
- Width: Standard 35mm wide symmetrical TS35 DIN Rail compatible with EN50022 and DIN46277-3.



TOP VIEW



FRONT VIEW



SIDE VIEW