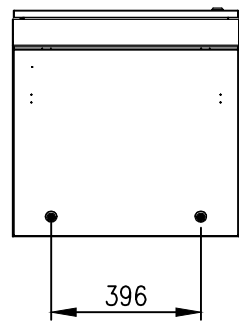
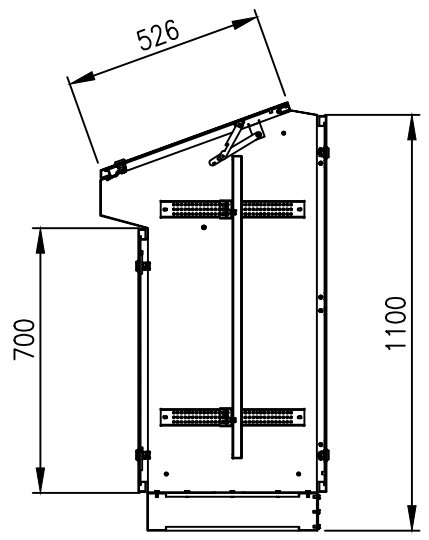


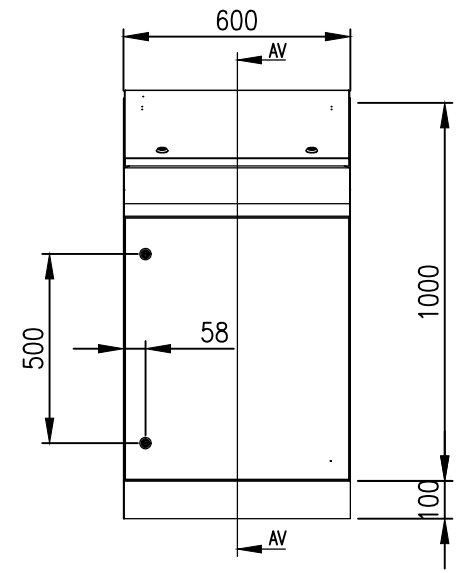
RevNo	Revision note	Date	Signature	Checked
1	GENERAL REVISION	11/04/23	IP	IP



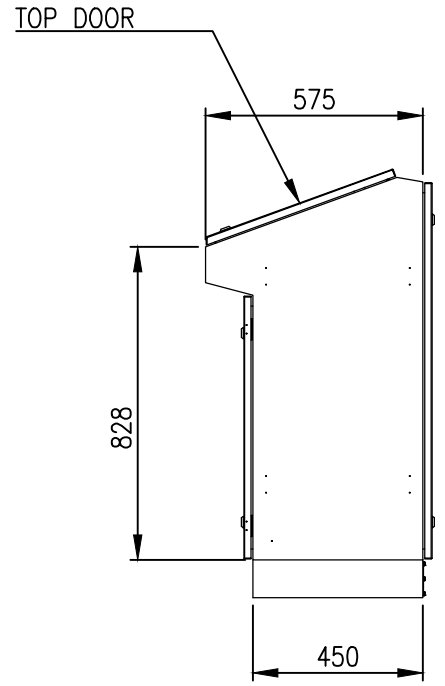
TOP VIEW



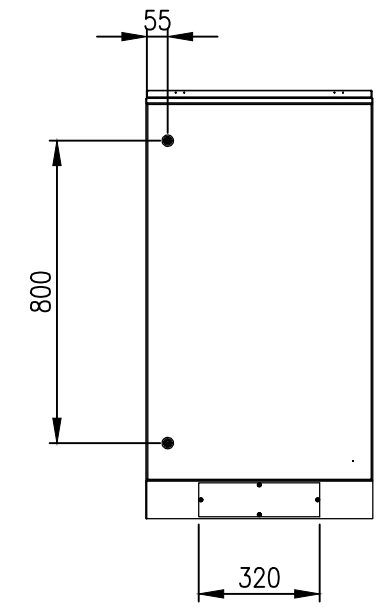
SECTION AV-AV



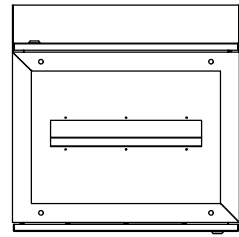
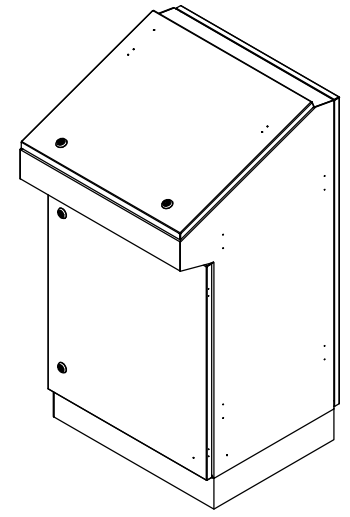
FRONT VIEW



RIGHT SIDE VIEW



REAR VIEW



BOTTOM VIEW

MATERIAL
 BODY: 1.5mm GALVANISED STEEL SHEET
 DOOR: 1.5mm GALVANISED STEEL SHEET
 SEAL: POLYURETHANE
 SURFACE TREATMENT: POWDER-COAT 80-120 MICRON
 COLOUR: RAL7035

© IP ENCLOSURES 2022.
 THIS DRAWING SHALL NOT BE COPIED OR REPRODUCED WITHOUT
 AUTHORISATION FROM IP ENCLOSURES.
 www.ipenclosures.com.au

Itemref	Quantity	Title/Name, designation, material, dimension etc	Article No./Reference
Designed by IP	Checked by IP	Approved by - date 28/07/22	Filename IP-CON1006045
		Date 28/07/22	Scale 1:20
			1000x600x450 STEEL CONSOLE
IP-CON1006045			Edition 1
			Sheet 1/1